

Premio 40 AC

Ausstattung AkkumÄher / Equipment accu-mowers

| | |
|--------------------------------------|--|
| Typ / Kurzbez. / order code | WOLF Premio 40 AC |
| Ausföhrung für / version for | International |
| Geräte - Nr. / article number | 4044000 |
| Schnittbreite / cutting width | 40 cm |
| Chassismaterial / chassis | Kunststoff / high-quality plastic |
| Gewicht / weight | 36 kg |
| Lautstärke / noise level | 90 dB (A) |
| Ø Rad vorne / Ø wheel in the front/ | 17 cm / Ø diameter |
| Ø Rad hinten / Ø wheel at the back/ | 20 cm / Ø diameter |
| Ausföhrung RÄder / version wheels | Soft, Kugellager / soft, ball bearing |
| Höhenverstellung / height adjustment | zentral 5-fach / central, five-fold |
| Schnitthöhe (cm) / cutting height | 2,5 cm - 7,2 cm |
| Antrieb ja/nein / drive yes /no | nein/no |
| Motor-Modell / motor-type | 24V Gleichstrommotor / 24V d.c. motor (United Technologies) |
| Motor - Nr. WOLF / motor-number | 1055060 |
| Leistung / power | 900 Watt |
| Flächenleistung / for lawns up to... | max. 700 qm |
| Batterie / battery | Blei-Wechselakku, 24V/17Ah, mit Ladezustandsanzeige (LCD) Exchange lead battery 24V/17Ah, with battery state indicator (LCD) |
| Ladegerät / charger | Pb-Charger 7208/24 |
| GriffgestÄnge / handlebar | Klappgriff, Höhenverstellung / folding handlebar, height-adjustment |
| Fangkorb / collector box | 56 L / Füllstandsanzeige, Ersatz. s. Modell Premio 40 B, 4011000, A / 56 l grassbox fill indicator, for spare parts refer to model Premio 40 B, 4011000, A |
| Besonderh. / special features | Wechselakku, Schnellladegerät, Regelelekt., Sicherheitsschlüssel exchangeable battery, boost charger, electronic control, patent key |

Achtung:

Instandsetzungen an ElektrogerÄten dÖrfen nur von entsprechenden FachkrÄften durchgeföhrt werden !

Die Isolationswiderstandsmessung / Schutzleiterprüfung gem. DIN/VDE 0701 Teil 2 ist **nach jeder Reparatur** vorzunehmen.

Attention:

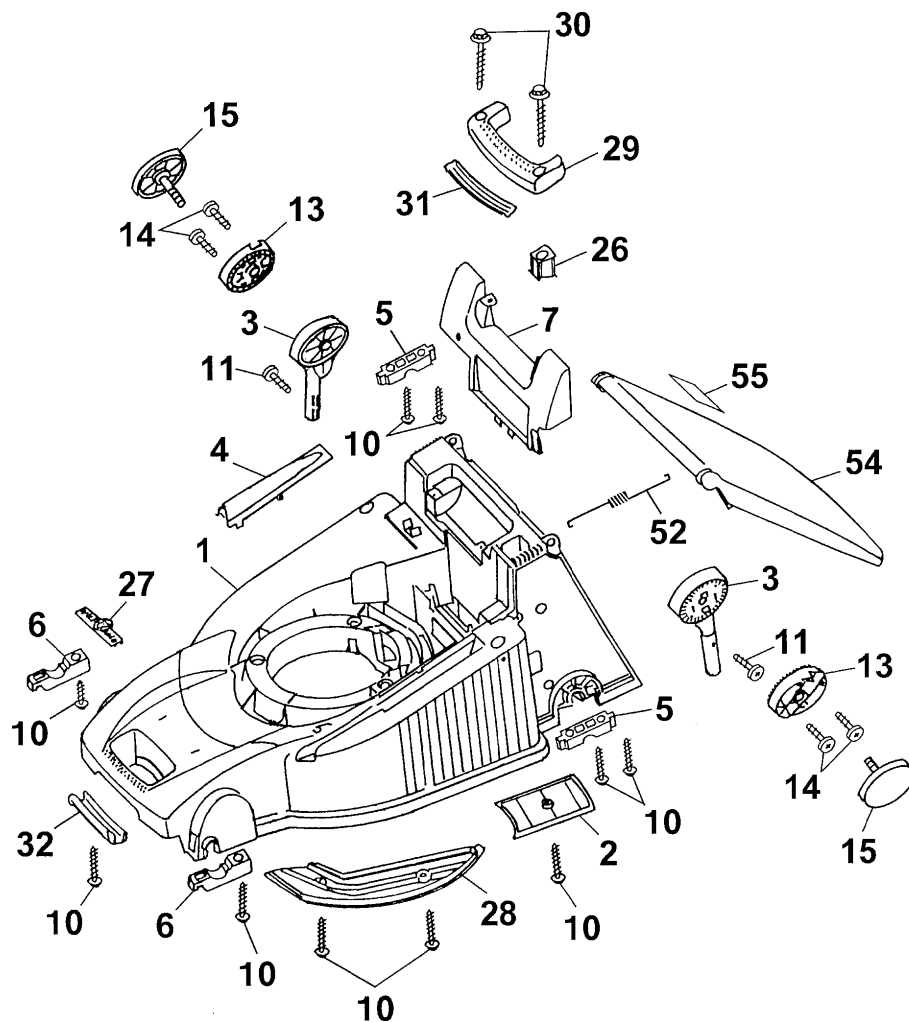
Repairs on electrical appliances have to be led through only by competent specialists !

The measurement of the insulating resistance / protective conductor examination accordin to DIN/VDE 0701 part 2 has to be carried **out after each repair!**

G11

Ⓓ Premio 40 AC 4044 000 Chassis

ⒼⒷ Premio 40 AC 4044 000 Chassis



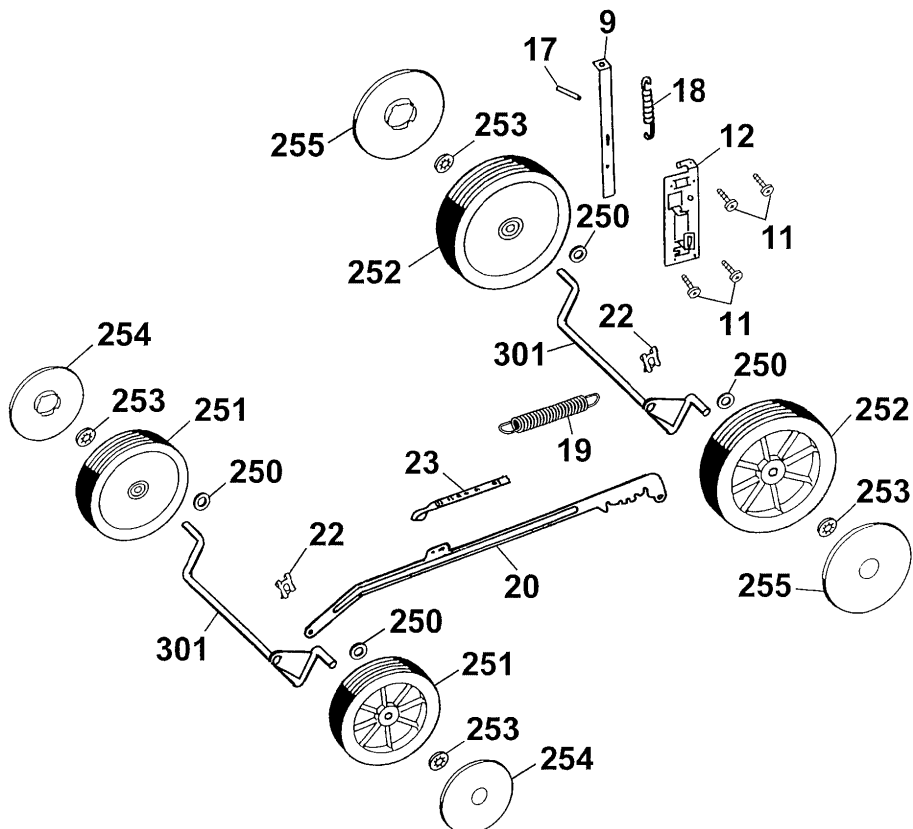
G12

Premio 40 AC Chassis

| Bild-Nr. / Ref. No. | Best.-Nr. / Part No. | Bezeichnung | description |
|------------------------|-------------------------|-------------------------------|--------------------------------|
| 1 | 4001 300 | Chassis | chassis |
| 2 | 4961 324 | Keilriemenabdeckung | v-belt cover |
| 3 | 4950 030 | Griffhalter (2 St¼ck) | handle-fixing (2 pieces) |
| 4 | 4601 315 | Hutze | cover |
| 5 | 4961 313 | St¼tzschale, hinten (2 St¼ck) | rear support shell (2 pieces) |
| 6 | 4961 312 | St¼tzschale, vorne (2 St¼ck) | front support shell (2 pieces) |
| 7 | 4001 310 | Chassisabdeckung | chassis cover |
| 10 | 0012 631 | Schraube (10 St¼ck) | screw (10 pieces) |
| 11 | 0010 931 | Schraube (2 St¼ck) | screw (2 pieces) |
| 13 | 4950 126 | Verstellring (2 St¼ck) | variable ring (2 pieces) |
| 14 | 0010 933 | Schraube (4 St¼ck) | screw (4 pieces) |
| 15 | 4950 010 | Handrad (2 St¼ck) | handwheel (2 pieces) |
| 26 | 4961 304 | Knopf | button |
| 27 | 0051 115 | WOLF-Garten Marke | WOLF-Garten label |
| 28 | 4001 311 | Windkanalabdeckung | wind tunnel cover |
| 29 | 4601 303 | Tragegriff, hinten | rear carrying handle |
| 30 | 0012 639 | Schraube (2 St¼ck) | screw (2 pieces) |
| 31 | 4601 308 | Griffschale, hinten | rear handle spill |
| 32 | 4601 309 | Griffschale, vorne | front handle spill |
| 52 | 4961 106 | Zugfeder | tension spring |
| 54 | 4628 302 | Schutzklappe (rot) | rear flap (red) |
| 55 | 0051 225 | Sicherheitsetikett/Pictogramm | safety label |

G13

- Ⓓ Premio 40 AC 4044 000 Achse, Räder, Höhenverstellung
- ⒼⒷ Premio 40 AC 4044 000 axle, wheels, height-adjustment



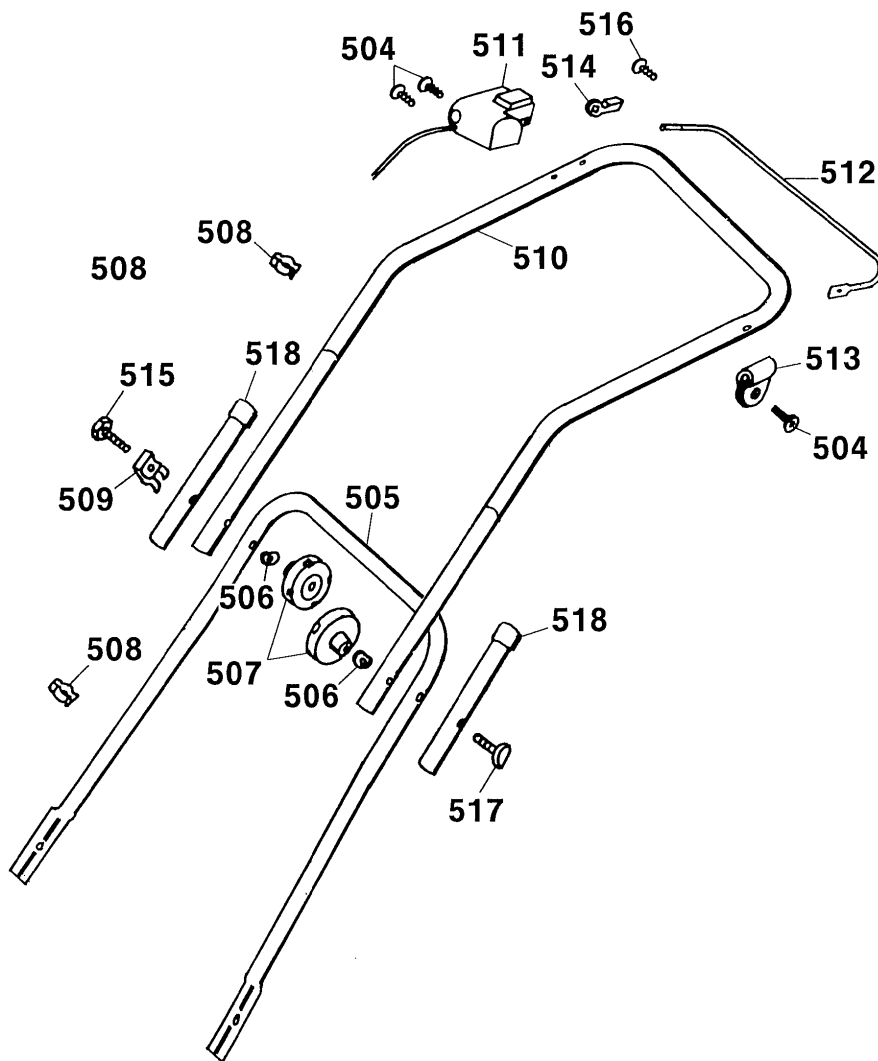
G14

Premio 40 AC Achse, RÄder, Hhenverstellung
Premio 40 AC axle, wheels, height-adjustment

| Bild-Nr. / Ref. No. | Best.-Nr. / Part No. | Bezeichnung | description |
|------------------------|-------------------------|-------------------------------|----------------------------------|
| 9 | 4961 512 | Rasthebel | lock lever |
| 11 | 0010 931 | Schraube (4 Stck) | screw (4 pieces) |
| 12 | 4001 110 | Fhrung | guiding |
| 17 | 0018 878 | Spannstift | dowel pin |
| 18 | 4961 514 | Zugfeder | tension spring |
| 19 | 4961 107 | Zugfeder Verbindungsstange | tension spring connecting rod |
| 20 | 4961 504 | Verbindungsstange | connecting rod |
| 22 | 0020 981 | SL-Sicherung (2 Stck) | retaining clip (2 pieces) |
| 23 | 4001 306 | Hhenanzeiger | height-position indicator |
| 250 | 0017 112 | Scheibe (4 Stck) | washer (4 pieces) |
| 251 | 6440 050 | Rad 170 mm Ø (2 Stck) | wheel 170 mm Ø (2 pieces) |
| 252 | 6440 051 | Rad 200 mm Ø (2 Stck) | wheel 200 mm Ø (2 pieces) |
| *** | 6340 516 | Kugellager, Stahl (2 St./Rad) | ball bearing, steel (2 p./wheel) |
| 253 | 0020 700 | Schnellbefestiger (4 Stck) | quick-fixing device (4 pieces) |
| 254 | 6450 520 | Radkappe 170 mm Ø (2 St.) | hub cap 170 mm Ø (2 pieces) |
| 255 | 6450 530 | Radkappe 200 mm Ø (2 St.) | hub cap 200 mm Ø (2 pieces) |
| 301 | 4961 011 | Achse (2 Stck) | axle (2 pieces) |

G15

- Ⓓ Premio 40 AC 4044 000 Griff, Schalter
- ⒼⒷ Premio 40 AC 4044 000 handlebar, switch



G16

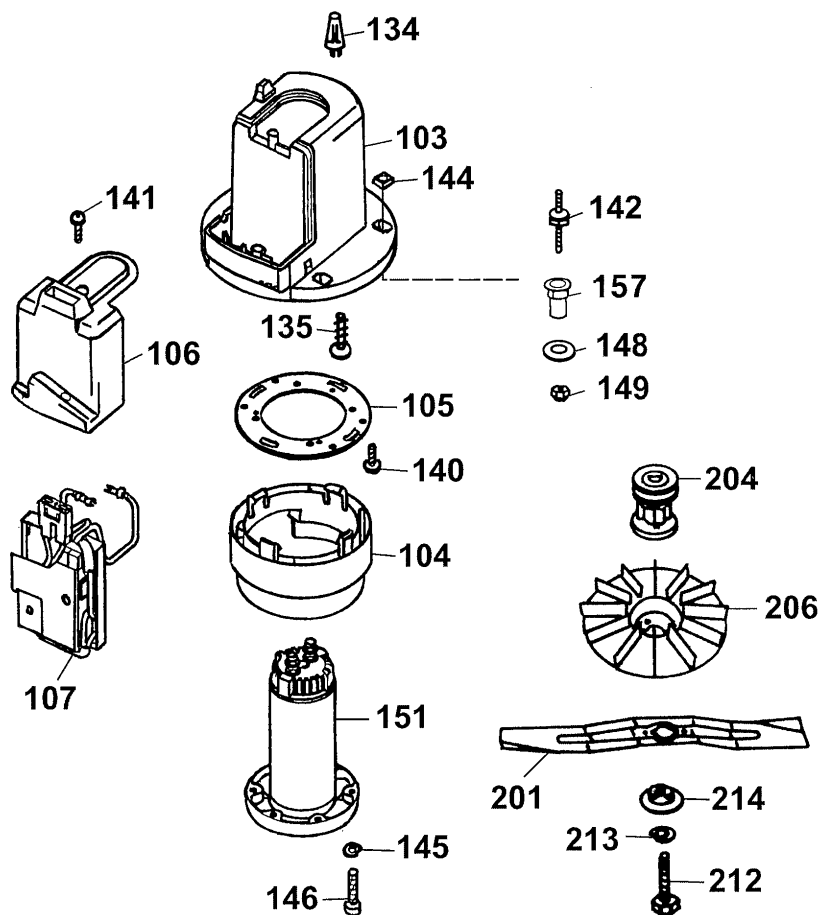
Premio 40 AC Griff, Schalter
Premio 40 AC handlebar, switch

| Bild-Nr. / Ref. No. | Best.-Nr. / Part No. | Bezeichnung | description |
|------------------------|-------------------------|-------------------------------|-------------------------------|
| 504 | 0012 625 | Torx-Schraube (3 Stück) | screw (3 pieces) |
| 505 | 4011 120 | Griffunterteil | lower handlebar |
| 506 | 0017 275 | Hohlscheibe (2 Stück) | hollow disk (2 pieces) |
| 507 | 4936 022 | Handrad (2 Stück) | handwheel (2 pieces) |
| 508 | 4950 307 | Kabelschelle (2 Stück) | cable clamp (2 pieces) |
| 509 | 4950 308 | Knickschutz | antikink |
| 510 | 4044 021 | Griffoberteil | upper handlebar |
| 511 | 4947 051 | Schalter | switch |
| 512 | 4317 014 | Schaltbügel | shift lever |
| 513 | 4935 105 | Schelle | clamp |
| 514 | 4940 105 | Lager | bearing |
| 515 | 0010 338 | 6-kt. Schraube | screw |
| 516 | 0015 652 | Blechschaube | sheet metal screw |
| 517 | 4901 101 | Verbindungsschraube (2 Stück) | screw (2 pieces) |
| 518 | 6340 125 | Verschlusskappe (2 Stück) | sleeve (2 pieces) |
| *** | 0054 169 | Gebrauchsanweisung | operator instructions |
| *** | 4044 025 | Polybeutel mit Gebrauchsanw. | poly bag with operator instr. |

G17

Ⓓ Premio 40 AC 4044 000 Motor, Messer

ⒼⒷ Premio 40 AC 4044 000 motor, blade



G18

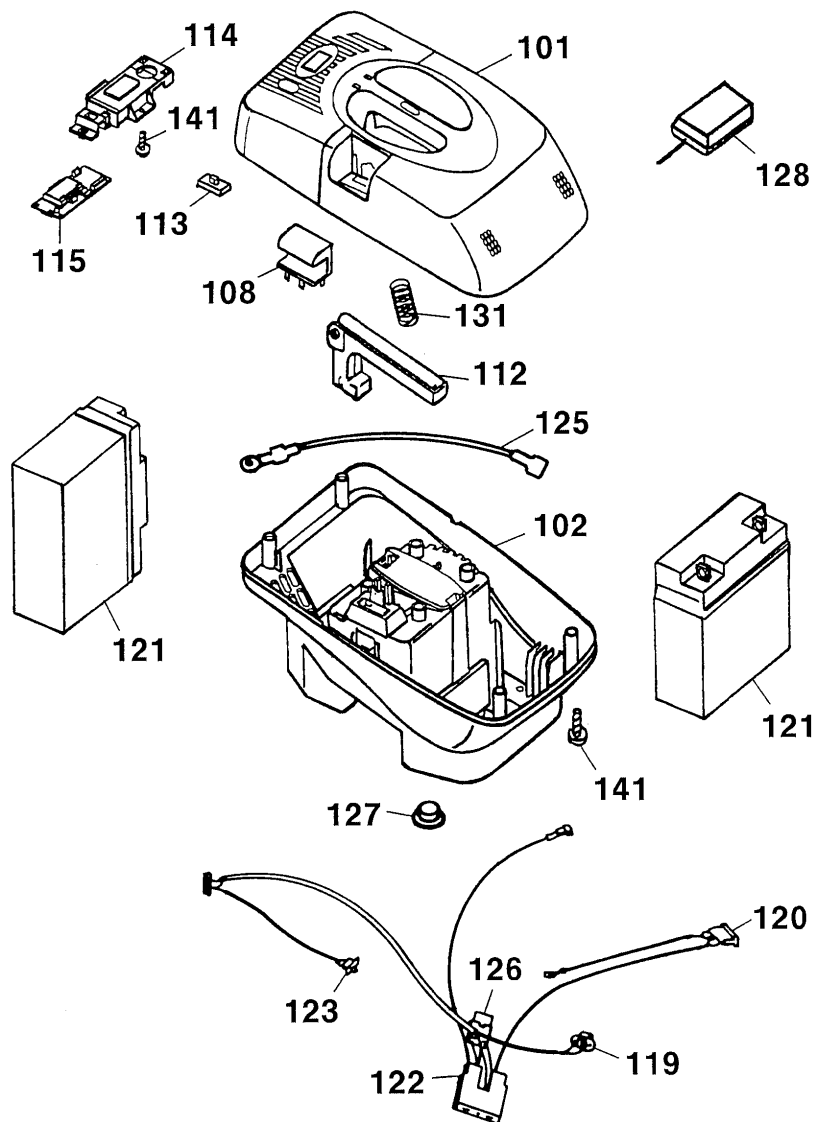
Premio 40 AC Motor, Messer
Premio 40 AC motor, blade

| Bild-Nr. / Ref. No. | Best.-Nr. / Part No. | Bezeichnung | description |
|------------------------|-------------------------|-------------------------|--------------------------|
| 103 | 4332 302 | Motoraufnahme | motor holder |
| 104 | 4332 111 | Luffföhrung | air conduction |
| 105 | 4947 303 | Motoring | ring |
| 106 | 4947 307 | Elektronikabdeckung | cover electronic |
| 107 | 4332 066 | Motorelektronik | motor electronic |
| 134 | 4332 313 | Zentrierkegel | centering cone |
| 135 | 0012 885 | PT-Schraube | screw |
| 140 | 0012 890 | PT-Schraube (4 Stöck) | screw (4 pieces) |
| 141 | 0012 630 | Torx-Schraube (2 Stöck) | screw (2 pieces) |
| 142 | 4042 170 | Stehbolzen (3 Stöck) | stud bolt (3 pieces) |
| 144 | 0016 409 | 4-kt. Mutter (3 Stöck) | nut (3 pieces) |
| 145 | 0017 908 | Federring (3 Stöck) | spring washer (3 pieces) |
| 146 | 0012 610 | Schraube (3 Stöck) | screw (3 pieces) |
| 148 | 0017 111 | Scheibe A8 (3 Stöck) | washer A8 (3 pieces) |
| 149 | 0016 312 | 6-kt. Mutter (3 Stöck) | nut (3 pieces) |
| 151 | 1055 060 | Motor | motor |
| 157 | 4601 312 | Distanzhölse (3 Stöck) | distance bush (3 pieces) |
| 201 | 4042 095 | Messer | blade |
| 204 | 4942 402 | Antriebsscheibe | driving disk |
| 206 | 4942 300 | Lüfter | fan |
| 212 | 0010 259 | 6-kt. Schraube | screw |
| 213 | 0017 909 | Federring | spring washer |
| 214 | 4333 401 | Kupplungsscheibe | coupling disk |

G19

Ⓓ Premio 40 AC 4044 000 Wechselakku

ⒼⒷ Premio 40 AC 4044 000 exchange battery



G20

Premio 40 AC Wechselakku
Premio 40 AC exchange lead battery

| Bild-Nr. / Ref. No. | Best.-Nr. / Part No. | Bezeichnung | description |
|------------------------|-------------------------|---|---|
| 101 | 4948 304 | Batteriehaube (rot) | battery cap (red) |
| 101 | 4332 305 | BatteriegehÄuse | battery case |
| 108 | 4947 020 | Stecker | connector |
| 112 | 4947 306 | Arretiergriff | handle |
| 113 | 4947 316 | Schalterkappe | switch cap |
| 114 | 4947 314 | Anzeigefenster | indicator |
| 115 | 4332 067 | Elektr. Füllstandsanzeige | electr. fill indicator |
| 119 | 4947 131 | Ladebuchse | bush |
| 120 | 4947 105 | Sicherung 40 A | fuse 40 A |
| 121 | 4948 066 | Batterieeinheit 12 V | lead battery unit 12 V |
| 122 | 4332 062 | Kabelbaum kpl. (inkl. Bild- Nr. 119,120,123,132) | cable form compl. (incl. ref. no. 119,120,123,132) |
| 123 | 4947 056 | Schiebeschalter | switch |
| 125 | 4947 126 | Kabel, grün | cable, green |
| 126 | 4332 105 | Sicherung 2 A | fuse 2 A |
| 127 | 4332 306 | Verschluss-Stopfen | plug |
| 128 | 4948 060 | Ladegerät 24V - 0,75 A | charger 24V - 0,75 A |
| 131 | 4740 207 | Druckfeder | compression spring |
| *** | 4332 070 | Wechselakku kpl. | exch. lead battery compl. |

G21