

Accu-Scheren / Battery Shears

Accu 45, Serie A / Accu 45, Series A
Accu 60, Serie A / Accu 60, Series A
Accu 75, Serie A / Accu 75, Series A
Accu BS 60, Serie A / Accu BS 60, Series A
Accu BS 45, Serie A / Accu BS 45, Series A
AC-TS Teleskopstiel / AC-TS Vario Handle
AC-R Räder / AC-R wheels

Ausstattung / Specification

| Typ / Kurzbez. / short code | Accu 45 | Accu 60 | Accu 75 | Accu BS 60 | Accu BS 45 |
|--|---|----------------------|-----------------------|-------------------------|--------------------------|
| Geräte - Nr. / part No. | 7084000 | 7085000 | 7086000 | 7087000 7087004 | 7087005 |
| Ausführung für / version | International | | | | |
| Zellenanzahl / number of battery cells | 3 | 4 | 6 | 6 | 6 |
| Spannung (V) / voltage (V) | 3,6 | 4,8 | 7,2 | 7,2 | 7,2 |
| Kapazität (ah) / capacity (ah) | 1,2 | 1,2 | 1,2 | 1,2 | 1,2 |
| Messer-Modell, Art.-Nr. / blade modell, part No. | Accu 8 EM 7084095 | Accu 8 EM 7084095 | Accu 10 EM 7085095 | Accu BS EM * 7095095 | Accu BS EM ** 7095095 |
| Messer-Schnittbreite (cm) / cutting width (cm) | 8 | 8 | 10 | 17 | 17 |
| Zubehör / optional extras: | Teleskopstiel / Vario Handle AC-TS 7095000 Ersatzräder / replacement wheels AC-R 7084094 | | | | |

* alternativ Accu 8 EM oder Accu 10 EM

* alternative Accu 8 EM or Accu 10 EM

** incl. Messersatz Accu 8 EM

** incl. replacement blade Accu 8 EM

7084001 SP 45 (F): Siehe / see 7084000

7084002 Accu 45 Classic (UK): Siehe / see 7084000

7085002 Accu 60 Comfort (UK): Siehe / see 7085000

7086001 SP 75 (F): Siehe / see 7086000

7086002 Accu 75 Professional (UK): Siehe / see 7086000

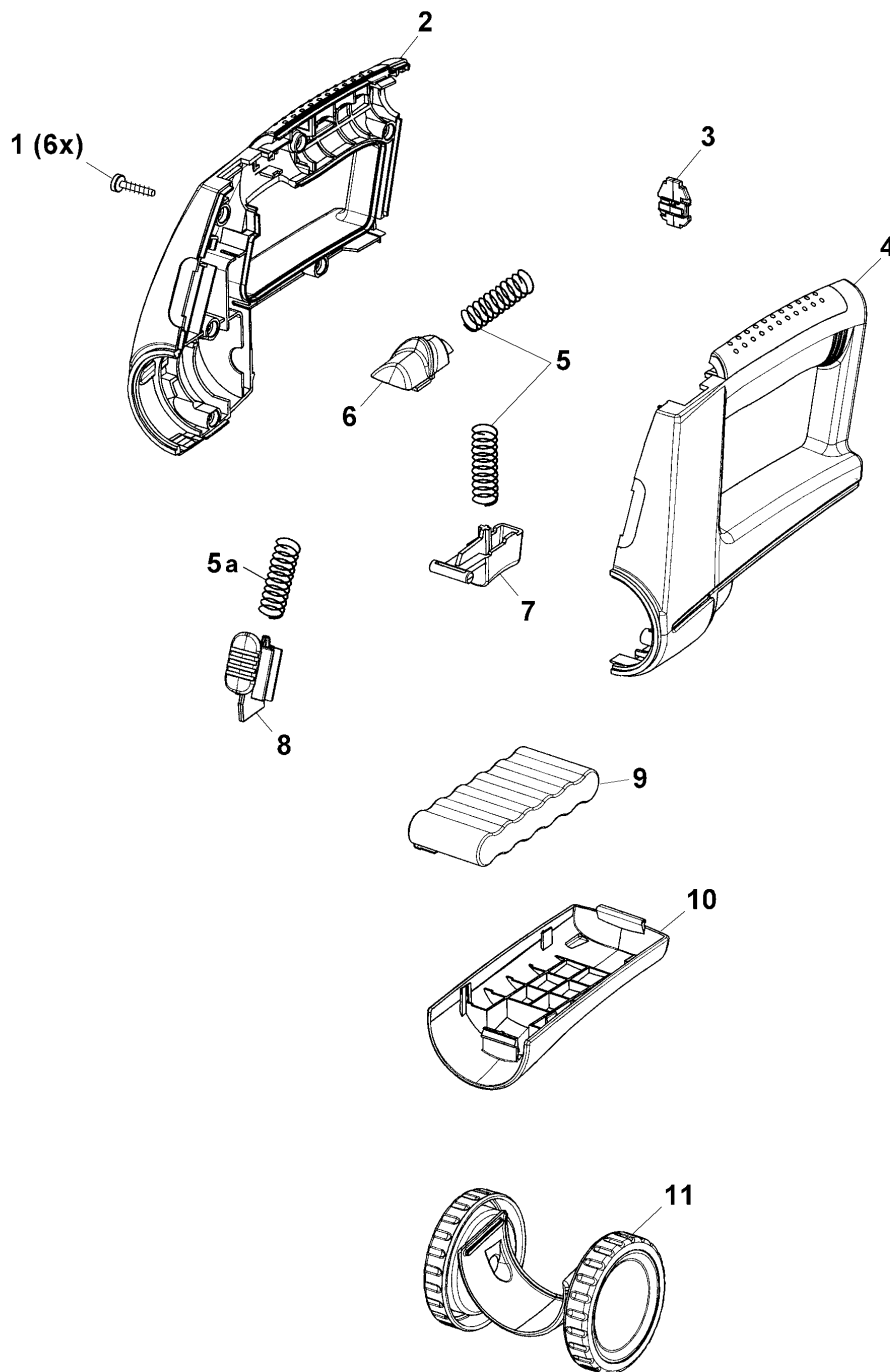
7087002 Accu BS 60 Comfort (UK): Siehe / see 7087000

Achtung: Instandsetzungen an Elektrogeräten dürfen nur von entsprechenden Fachkräften durchgeführt werden ! Die Isolationswiderstandsmessung / Schutzleiterprüfung gemäß DIN/VDE 0701 Teil 2 ist **nach jeder Reparatur** vorzunehmen.

Attention: Repairs on electrical appliances must only be carried out by qualified specialists ! The verification of the insulating resistance / protective conductor examination according to DIN/VDE 0701 part 2 **must be carried out after each repair** !

**(D) Accu 45, Accu 60, Accu 75, Accu BS 60, Accu BS 45
Gehäuse, Schalter, Räder**

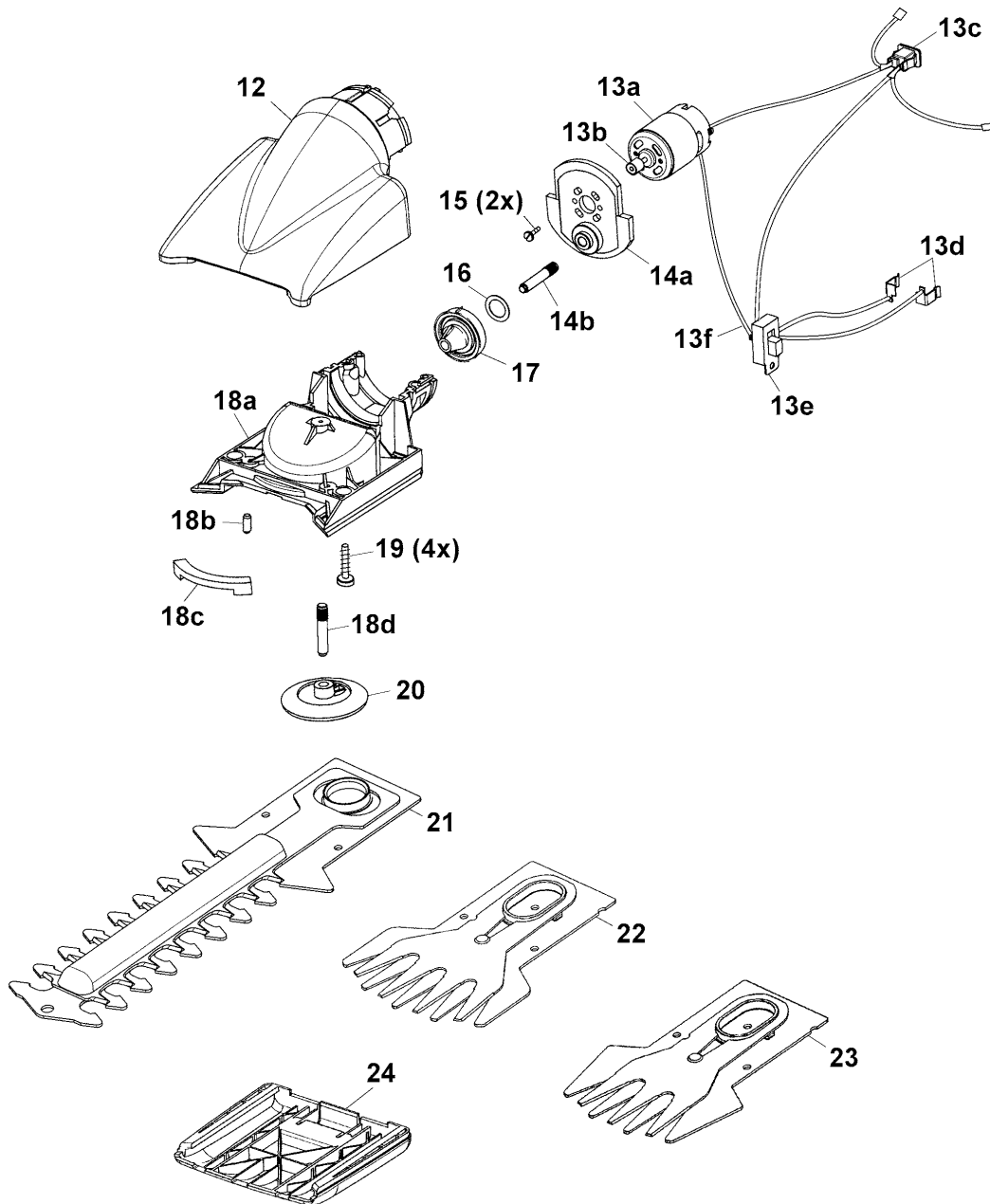
**(GB) Accu 45, Accu 60, Accu 75, Accu BS 60, Accu BS 45
Case, Switch, Wheels**



Accu 45, Accu 60, Accu 75, Accu BS 60, Accu BS 45
Gehäuse, Schalter, Räder
Accu 45, Accu 60, Accu 75, Accu BS 60, Accu BS 45
Case, switch, wheels

| Bild-Nr. / Ref. No. | Best.-Nr. / Part No. | Bezeichnung | Description |
|------------------------|-------------------------|--|---|
| 1 | 0012 625 | TORX-Schr. K40x16 (6 St.) | screw K40x16 (6 pieces) |
| 2 | 7084 300 | Gehäuse, rechts (Accu 45, Accu 60, Accu BS 45) | case, right hand (Accu 45, Accu 60, Accu BS 45) |
| | 7086 300 | Gehäuse, rechts (Accu 75, Accu BS 60) | case, right hand (Accu 75, Accu BS 60) |
| 3 | 7086 302 | Kontakthalter | contact maker |
| 4 | 7084 035 | Gehäuse, links (Accu 45, Accu BS 45) | case, left hand (Accu 45, Accu BS 45) |
| | 7085 035 | Gehäuse, links (Accu 60) | case, left hand (Accu 60) |
| | 7086 035 | Gehäuse, links (Accu 75) | case, left hand (Accu 75) |
| | 7087 035 | Gehäuse, links (Accu BS 60) | case, left hand (Accu BS 60) |
| 5 | 7086 115 | Druckfeder (2 Stück) | compression spring (2 piec.) |
| 5a | 7086 116 | Druckfeder | compression spring |
| 6 | 7086 305 | Schaltnopf | push button |
| 7 | 7086 304 | Schalterwippe | switch |
| 8 | 7086 303 | Dreh-Verriegelung | lock (for working position) |
| 9 | 7084 055 | Batteriepaket (Accu 45) | battery (Accu 45) |
| | 7085 055 | Batteriepaket (Accu 60) | battery (Accu 60) |
| | 7086 055 | Batteriepaket (Accu 75, Accu BS 60, Accu BS 45) | battery (Accu 75, Accu BS 60, Accu BS 45) |
| 10 | 7086 316 | Akkudeckel | battery cover |
| 11 | 7084 094 | Esatzräder (AC-R) | replacement wheels (AC-R) |

- Ⓓ **Accu 45, Accu 60, Accu 75, Accu BS 60, Accu BS 45
Drehkopf, Messer, Motor**
- ⒼⒷ **Accu 45, Accu 60, Accu 75, Accu BS 60, Accu BS 45
Rotatable head, Blade, Motor**



Accu 45, Accu 60, Accu 75, Accu BS 60, Accu BS 45
Drehkopf, Messer, Motor
Accu 45, Accu 60, Accu 75, Accu BS 60, Accu BS 45
Rotatable head, blade, motor

| Bild-Nr. / Ref. No. | Best.-Nr. / Part No. | Bezeichnung | description |
|------------------------|-------------------------|---|--|
| 12 | 7086 330 | Haube | hood |
| 13a | | Motor | motor |
| 13b | | Motorritzel | pinion drive (motor) |
| 13c | | Ladebuchse | connection - battery charger |
| 13d | | Schalterkontakte | switching contacts |
| 13e | | Schiebeschalter | sliding switch |
| 13f | | Kabelbaum | cable form |
| *** | 7085 054 | Motor, kpl. 3,6-4,8 V (Accu 45, Accu 60) | motor, compl., 3,6-4,8 V (Accu 45, Accu 60) |
| *** | 7086 054 | Motor, kpl. 7,2 V (Accu 75, Accu BS 60, Accu BS 45) | motor, compl., 7,2 V (Accu 75, Accu BS 60, Accu BS 45) |
| 14a | | Motorplatte | motor support |
| 14b | | Zahnradachse | long-face pinion |
| *** | 7086 910 | Motorplatte kpl. | motor support compl. |
| 15 | 0012 229 | Zylinderschr. M2, 6x6 (2 St.) | cheese head screw (2 p.) |
| 16 | 0017 042 | Scheibe Ø10+Ø16+0,3 | washer 10 dia.+16 dia.+0,3 |
| 17 | 7086 313 | Stirnrad | cylinder gear |

**Accu 45, Accu 60, Accu 75, Accu BS 60, Accu BS 45
Drehkopf, Messer, Motor
Accu 45, Accu 60, Accu 75, Accu BS 60, Accu BS 45
Rotatable head, blade, motor**

| Bild-Nr. / Ref. No. | Best.-Nr. / Part No. | Bezeichnung | description |
|------------------------|-------------------------|---|---|
| 18a | | Getriebegehäuse | gearbox case |
| 18b | | Bolzen Ø 4 + 10 (2 Stück) | bolt 4 + 10 dia. (2 pieces) |
| 18c | 7086 318 | Dichtleiste | sealing lip |
| 18d | | Zahnradachse | long-face pinion |
| *** | 7086 911 | Getriebegehäuse kpl. | gearbox case compl. |
| <hr/> | | | |
| 19 | 0012 625 | TORX-Schr. K40x16 (6 St.) | screw K40x16 (6 pieces) |
| 20 | 7086 312 | Tellerrad | plate |
| 21 | 7095 095 | Strauchmesser (Accu BS EM) <u>nur für:</u> Accu 60, Accu 75, Accu BS 60, Accu BS 45 | replac. blade (Accu BS EM) <u>only for</u> Accu 60, Accu 75, Accu BS 60, Accu BS 45 |
| 22 | 7085 095 | Scherenblatt (Accu 10 EM) | replac. blade (Accu 10 EM) |
| 23 | 7084 095 | Scherenblatt (Accu 8 EM) | replac. blade (Accu 8 EM) |
| 24 | 7086 311 | Gleitkufe | blade cover |
| *** | 7086 078 | Ladegerät | battery charger |
| *** | 0054 324 | Gebrauchsanweisung | operator manual |
| *** | 0054 276 | Gebrauchsanweisung für Accu BS 45, 7087005 | operator manual for Accu BS 45, 7087005 |
| *** | 0054 344 | Gebrauchsanweisung für Accu BS 60 + Accu 8 EM, 7087004 | operator manual for Accu BS 60 + Accu 8 EM, 7087004 |

Ⓓ AC-TS 7095 000 Teleskopstiel

ⒼⒷ AC-TS 7095 000 Vario Handle



7095 000 AC-TS Teleskopstiel
7095 000 AC-TS Vario Handle

| Bild-Nr. / Ref. No. | Best.-Nr. / Part No. | Bezeichnung | description |
|--------------------------------|---------------------------------|-----------------------------------|----------------------------|
| 1 | 0012 625 | TORX-Schraube K40x16 (4 Stück) | screw K40x16 (4 pieces) |
| 2 | 7126 335 | Obergriff, rechts | handle, right hand |
| 3 | 7095 316 | Verschlussdeckel | plug |
| 4 | 7095 101 | Druckknopfschalter | switch |
| 5 | 7095 036 | Obergriff, links | handle, left hand |
| 6 | 7095 100 | Stielkontakt (2 Stück) | contact Vario Handle |
| 7 | 7095 313 | Kappe | cap |