

TRAC OHV 6, Serie B

Ausstattung Aufsitzmäher

| | |
|--------------------------------|---|
| Typ / Kurzbez. | Trac OHV6 |
| Ausführung für | International |
| Geräte - Nr. | 6200 000 |
| Schnittbreite | 102 |
| Mähwerk | 2 Messer / Twin Mähsystem pendelnd |
| Höhenverstellung | zentral, 7-fach |
| Schnitthöhen | 25 - 95 mm |
| Gewicht | 250 kg |
| Abmessungen L/B/H | 2400 mm / 1060 mm / 1100 mm |
| Lautstärke | 100 dB(A) |
| Rad vorne, Luftdruck | 15X6,0-8 1,0bar |
| Rad hinten, Luftdruck | 18X8,5-8 0,7bar |
| Wenderadius | 74 cm |
| Batterie | 12V / 22Ah |
| Getriebe | Dana Model-Nr. 4360-98 |
| Gänge | 6 vorwärts, 1 rückwärts |
| max. Geschwindigkeit vorwärts | 10 km/h |
| max. Geschwindigkeit rückwärts | 2,7 km/h |
| Motor - Hersteller | Briggs & Stratton |
| Motor-Modell | Diamond I/C OHV 15,5 HP |
| Spezifikation | 28N707 1129-E2 000329 ZE |
| Motor - Nr. WOLF | 1001000 |
| Hubraum | 465 ccm |
| Nennleistung | 9,2 kW |
| Drehzahl | 3000 min.-1 |
| Schmierung | Mehrbereichsöl, HD SAE 15-W40 (1,4l) / |
| Tankinhalt | 7 L |
| Zündkerze | Champion RC12YC |
| Fangsack | 300 L, Akustische Füllstandsanzeige, Heckauswurf |
| Besonderheiten | Anhängerkupplung |
| Besonderheiten | Anhängerkupplung |

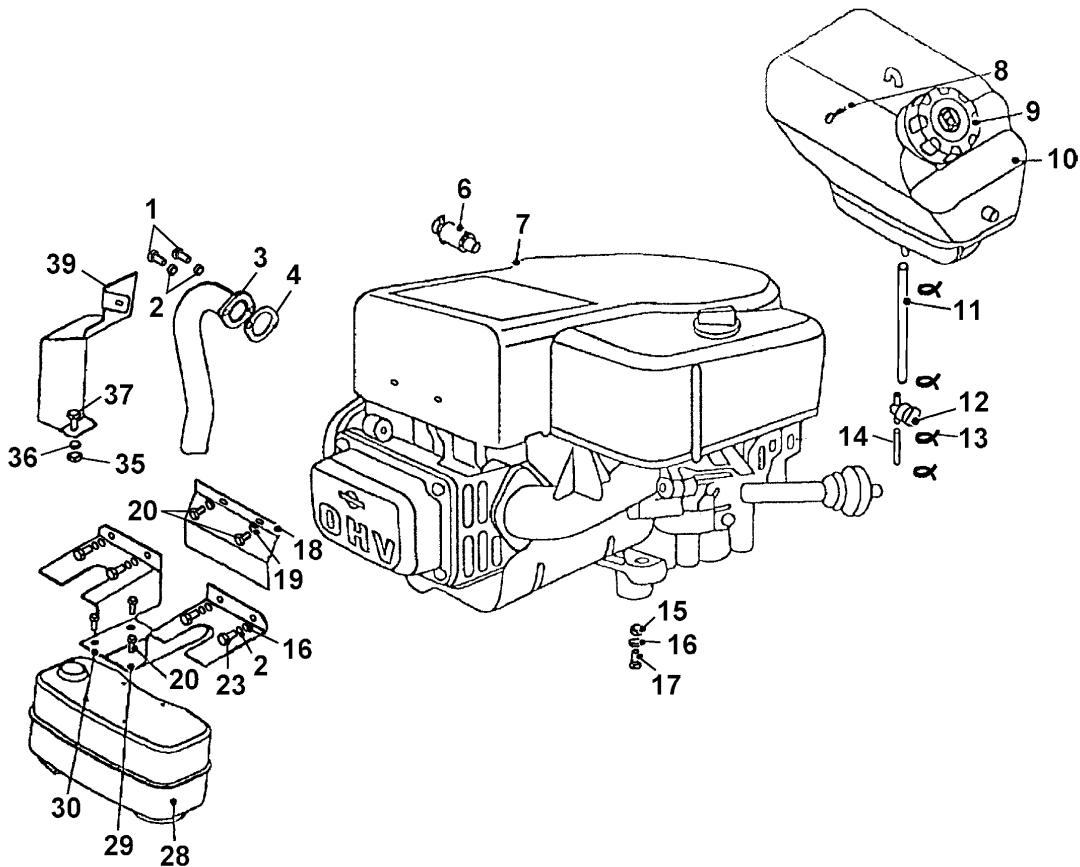
TRAC OHV 6, Series B

Equipment Petrol-mowers

| | |
|---------------------------|---|
| order code | Trac OHV6 |
| version for | International |
| article number | 6200 000 |
| cutting width | 102 |
| mower | 2 blades, twin mowersystem floating |
| height adjustment | central, 7-fold |
| cutting height | 25 - 95 mm |
| weight | 250 kg |
| measurements L/B/H | 2400 mm / 1060 mm / 1100 mm |
| noise level | 100 dB(A) |
| front wheel, air pressure | 15X6.0-8 1,0bar |
| rear wheel, air pressure | 18X8,5-8 0,7bar |
| inflection circle | 74 cm |
| battery | 12V / 22Ah |
| gear mechanism | Dana Model-Nr. 4360-98 |
| gears | 6 forward speeds, 1 reverse gear |
| max. speed forward | 10 km/h |
| max. speed reverse | 2,7 km/h |
| motor producer | Briggs & Stratton |
| motor-type | Diamond I/C OHV 15,5 HP |
| specification | 28N707 1129-E2 000329 ZE |
| motor-number WOLF | 1001000 |
| capacity | 465 ccm |
| nominal capacity | 9,2 kW |
| rotary frequency | 3000 min.-1 |
| greasing | multigrade oil, HD SAE 15-W40 (1,4l) |
| tank capacity | 7 L |
| spark plug | Champion RC12YC |
| collector box | acoustical grassbox fill indicator, rear ejection |
| special features | trailer coupling |

NR:6200 000 Bezeichnung: Trac OHV 6 Gruppe: AufsitzmÄher Jahr: 03 Typ: B

- Ⓓ Trac OHV 6 6200 000, Serie B, Motor
- ⒼⒷ Trac OHV 6 6200 000, Series B, motor



Trac OHV 6, Serie B, Motor

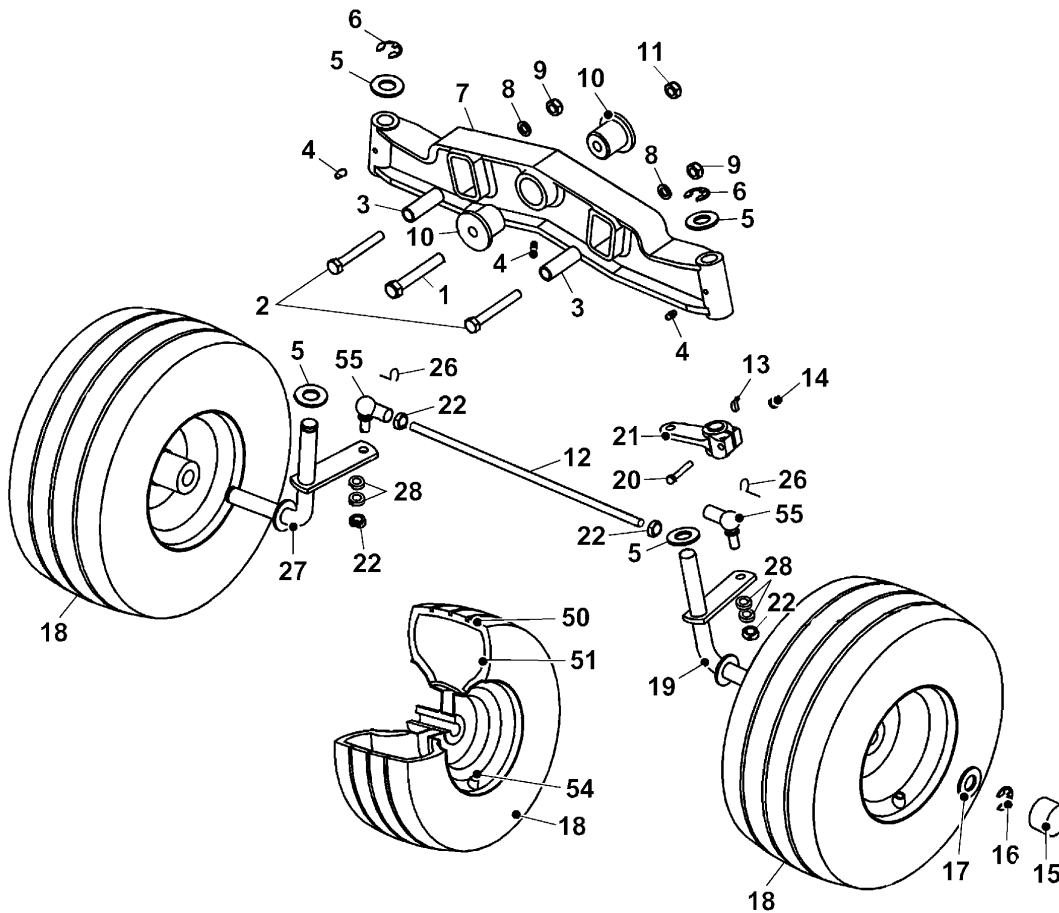
| Bild-Nr. | Best.-Nr. | Bezeichnung | Menge | Hinweis |
|----------|-----------|----------------------------------|-------|------------|
| 1 | 6205 123 | Schraube 5/16-18NC 3/4LG | 2 | |
| 2 | 0017 909 | Federring 8-DIN 127B | 2 | |
| 3 | 6200 552 | Auspuffrohr | 1 | |
| 4 | 6200 351 | Auspuffabdichtung fr 15,5 PS | 1 | |
| 6 | 6205 049 | lablassventil | 1 | |
| 7 | 1001 000 | Motor 15,5 PS | 1 | |
| 8 | 6205 107 | Klammer 214 (CP85H) | 1 | |
| 9 | 6205 323 | Tankverschlusskappe | 1 | *1 |
| 10 | 6205 315 | Kraftstofftank | 1 | *1 |
| 11 | 6200 335 | Kraftstoffleitung, 240mm | 1 | |
| 12 | 6205 143 | Tankventil | 1 | |
| 13 | 6205 142 | Klemme fr Kraftstoffleitung | 4 | |
| 14 | 6200 345 | Kraftstoffleitung, 70mm | 1 | |
| 15 | 0016 312 | Mutter,selbsts. M8-DIN 985 CL.8 | 4 | |
| 16 | 0017 123 | Scheibe 8,4-DIN 125A | 8 | |
| 17 | 6205 569 | 6kt.-Schraube M8x35-DIN 933 8.8 | 4 | |
| 18 | 6200 101 | Vorderabdeckung | 1 | |
| 19 | 6205 567 | Scheibe 6,4-DIN 9021B | 2 | |
| 20 | 6205 548 | Gewinde-Formschraube 1/4"-20-1/2 | 2 | |
| 23 | 0010 402 | 6kt.-Schraube M8x20--DIN 933 8.8 | 4 | |
| 28 | 6200 350 | SchalldÄmpfer | 1 | |
| 29 | 6205 486 | Hitzeschutz, links | 1 | |
| 30 | 6205 487 | Hitzeschutz, rechts | 1 | |
| 35 | 0016 211 | 6kt.-Mutter M6-DIN 934 CL.8 | 1 | |
| 36 | 0017 908 | Federring 6-din 127b | 1 | |
| 37 | 0010 400 | 6kt.-Schraube M6x16-DIN 933 8.8 | 1 | |
| 39 | 6200 102 | Krmmerabdeckung | 1 | |
| * 1 | 6205 034 | Kraftstofftank mit Kappe | 1 | siehe 9,10 |

english: see next page

Trac OHV 6, Series B, engine

| Ref. No. | Part No. | Description | Pieces | Attention |
|----------|----------|---|--------|-------------|
| 1 | 6205 123 | Exhaust screw 5/16-18UNC-3/4LG | 2 | |
| 2 | 0017 909 | Spring washer 8 DIN 127 B | 2 | |
| 3 | 6200 552 | Exhaust tube | 1 | |
| 4 | 6200 351 | Exhaust gasket 15.5 HP | 1 | |
| 6 | 6205 049 | Oil drain valve 7409 | 1 | |
| 7 | 1001 000 | Engine, 15.5 HP 28 N707-1132 | 1 | |
| 8 | 6205 107 | Hair pin clip | 1 | |
| 9 | 6205 323 | Fuel tank cap | 1 | *1 |
| 10 | 6205 315 | Fuel tank | 1 | *1 |
| 11 | 6200 335 | Fuel line 240mm | 1 | |
| 12 | 6205 143 | Fuel tank valve | 1 | |
| 13 | 6205 142 | Spring clip UM 5008 | 4 | |
| 14 | 6200 345 | Fuel line 70mm | 1 | |
| 15 | 0016 312 | Self locking nut M8 DIN 985 Cl.8 | 4 | |
| 16 | 0017 123 | Flat washer 8.4 DIN 125 A | 8 | |
| 17 | 6205 569 | Hex screw M8x35 DIN 933 8.8 | 4 | |
| 18 | 6200 101 | Front cover | 1 | |
| 19 | 6205 567 | Flat washer 6.4 DIN 9021 B | 2 | |
| 20 | 6205 548 | Taptite thread form screw 1/4"-20 - 1/2 | 2 | |
| 23 | 0010 402 | Hex screw M8 x 20 DIN 933 8.8 | 4 | |
| 28 | 6200 350 | Muffler | 1 | |
| 29 | 6205 486 | Muffler heat guard, left | 1 | |
| 30 | 6205 487 | Muffler heat guard, right | 1 | |
| 35 | 0016 211 | Hex nut M6 DIN 934 Cl.8 | 1 | |
| 36 | 0017 908 | Spring washer 6 DIN 127 B | 1 | |
| 37 | 0010 400 | Hex screw M6 x 16 DIN 933 8.8 | 1 | |
| 39 | 6200 102 | Exhaust manifold cover | 1 | |
| * 1 | 6205 034 | Fuel tank compl. with cap | 1 | see it 9,10 |

- Ⓓ Trac OHV 6 6200 000, Serie B, Vorderachse
- ⒼⒷ Trac OHV 6 6200 000, Series B, front axle



Trac OHV 6, Serie B, Vorderachse

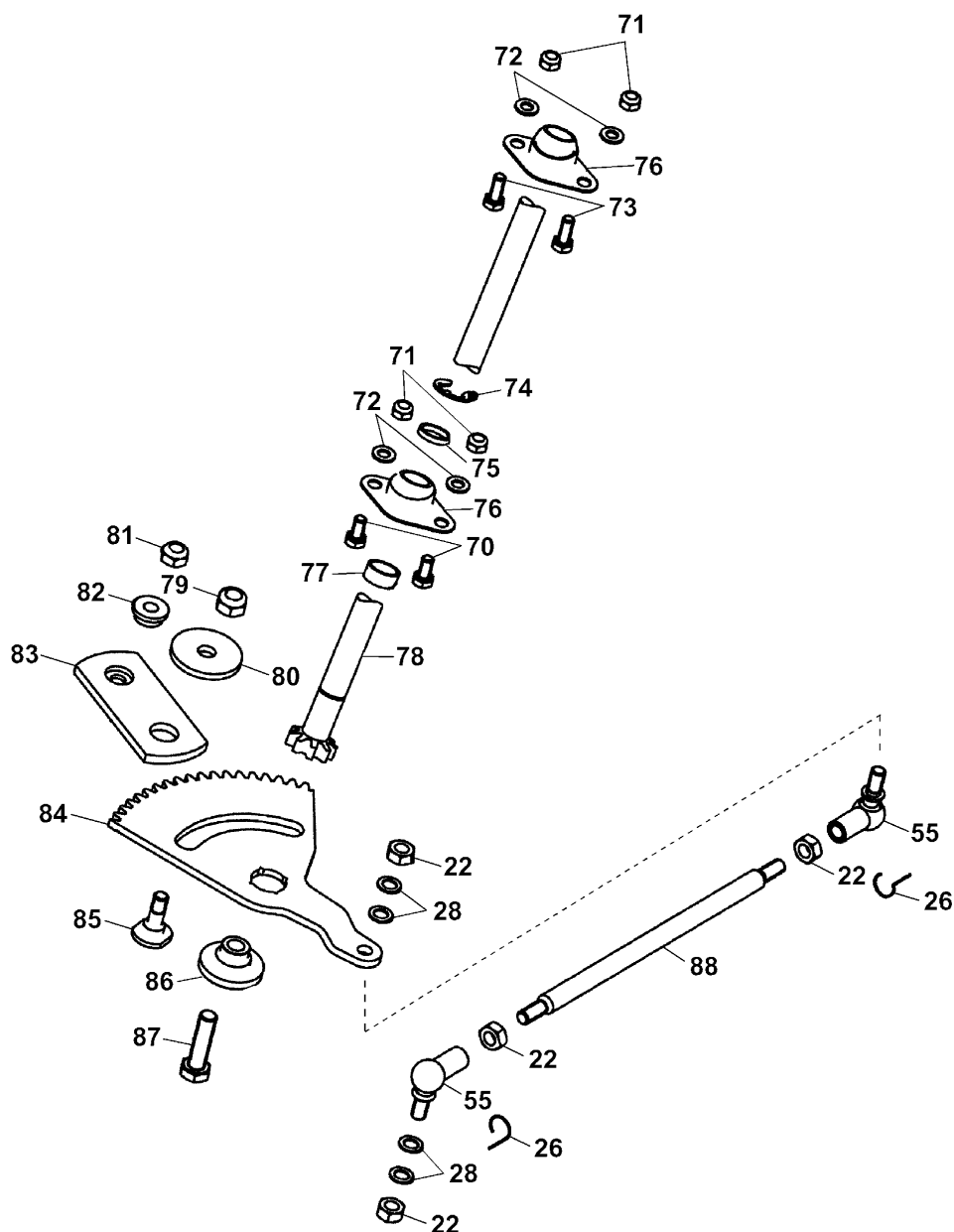
| Bild-Nr. | Best.-Nr. | Bezeichnung | Menge |
|----------|-----------|-----------------------------------|-------|
| 1 | 6205 580 | 6kt.-Schraube M12x90-DIN 931 8.8 | 1 |
| 2 | 6200 128 | 6kt.-Schraube M10x75-DIN 931 8.8 | 2 |
| 3 | 6205 153 | Distanzbuchse | 2 |
| 4 | 6205 144 | Schmiernippel MK-6x1 | 3 |
| 5 | 0017 128 | Scheibe 19-DIN 125A | 4 |
| 6 | 0022 415 | Sicherungsscheibe 15-DIN 6799 | 2 |
| 7 | 6205 121 | Vorderachse | 1 |
| 8 | 0017 124 | Scheibe 10,5-DIN 125A | 2 |
| 9 | 0016 316 | Mutter, selbsts. M10-DIN 985 CL.8 | 2 |
| 10 | 6205 170 | Buchse | 2 |
| 11 | 6205 564 | Mutter, selbsts. M12-DIN 982 CL.8 | 1 |
| 12 | 6205 116 | Spurstange | 1 |
| 13 | 6205 555 | Scheibenfeder 5x7,5-DIN 6888 | 1 |
| 14 | 0016 311 | Mutter M6 DIN 985 CL.8 | 1 |
| 15 | 6205 307 | Kappe, schwarz 1-1/2 SC | 2 |
| 16 | 0022 415 | Sicherungsscheibe 15-DIN 6799 | 2 |
| 17 | 6205 122 | Scheibe | 2 |
| 18 | 6200 042 | Vorderrad, kpl. 15x6.00-6 | 2 |
| 19 | 6200 461 | Achse, links | 1 |
| 20 | 0010 313 | 6kt.-Schraube M6x45-DIN 931 8.8 | 1 |
| 21 | 6205 508 | Achshebel | 1 |
| 22 | 0016 214 | 6kt.-mutter M10-DIN 934 CL.8 | 4 |
| 26 | 6205 559 | Drahtsicherung 16-DIN 71805S | 2 |
| 27 | 6200 460 | Achse, rechts | 1 |
| 28 | 6200 129 | Scheibe 10.3 NORD-LOCK | 4 |
| 50 | 6200 313 | Reifen 15x6.00-6 | 2 |
| 51 | 6200 309 | Schlauch 15x6.00-6 | 2 |
| 54 | 6205 051 | Luftventil, kpl. | 2 |
| 55 | 6205 021 | Winkel-Kugelgelenk 16, kpl. | 2 |

english: see next page

Trac OHV 6, Series B, front axle

| Ref. No. | Part No. | Description | Pieces |
|----------|----------|-----------------------------------|--------|
| 1 | 6205 580 | Hex screw M12x90 DIN 931 8.8 | 1 |
| 2 | 6200 128 | Hex screw M10x75 DIN 931 8.8 | 2 |
| 3 | 6205 153 | Spacer | 2 |
| 4 | 6205 144 | Grease fitting MK 6x1 | 3 |
| 5 | 0017 128 | Flat washer 19 DIN 125 A | 4 |
| 6 | 0022 415 | Spring clip 15 DIN 6799 | 2 |
| 7 | 6205 121 | Front axle | 1 |
| 8 | 0017 124 | Flat washer 10.5 DIN 125 A | 2 |
| 9 | 0016 316 | Self-locking nut M10 DIN 985 Cl.8 | 2 |
| 10 | 6205 170 | Front axle bushing | 2 |
| 11 | 6205 564 | Self-Locking nut M12 DIN 982 Cl.8 | 1 |
| 12 | 6205 116 | Tie rod front axle | 1 |
| 13 | 6205 555 | Square key 5x7.5 DIN 6888 | 1 |
| 14 | 0016 311 | Self-locking nut M6 DIN 985 Cl.8 | 1 |
| 15 | 6205 307 | Hub cap 1-1/2 Sc | 2 |
| 16 | 0022 415 | Spring clip 15 DIN 6799 | 2 |
| 17 | 6205 122 | Washer | 2 |
| 18 | 6200 042 | Front tyre wheel assy. 15x6.00-6 | 2 |
| 19 | 6200 461 | Spindle, left | 1 |
| 20 | 0010 313 | Hex screw M6x45 DIN 931 8.8 | 1 |
| 21 | 6205 508 | Steering spindle lever for Y2K | 1 |
| 22 | 0016 214 | Hex nut M10 DIN 934 Cl.8 | 4 |
| 26 | 6205 559 | Locking stirrups 16 DIN 71805 S | 2 |
| 27 | 6200 460 | Spindle, right | 1 |
| 28 | 6200 129 | washer 10.3 NORD-LOCK | 4 |
| 50 | 6200 313 | Tyre 15x6.00-6 | 2 |
| 51 | 6200 309 | Tube 15x6.00-6 | 2 |
| 54 | 6205 051 | Tyre valve compl. | 2 |
| 55 | 6205 021 | Ball angle joint 16 - complete | 2 |

- Ⓓ Trac OHV 6 6200 000, Serie B, Lenkung
- ⒼⒷ Trac OHV 6 6200 000, Series B, steering



Trac OHV 6 Lenkung

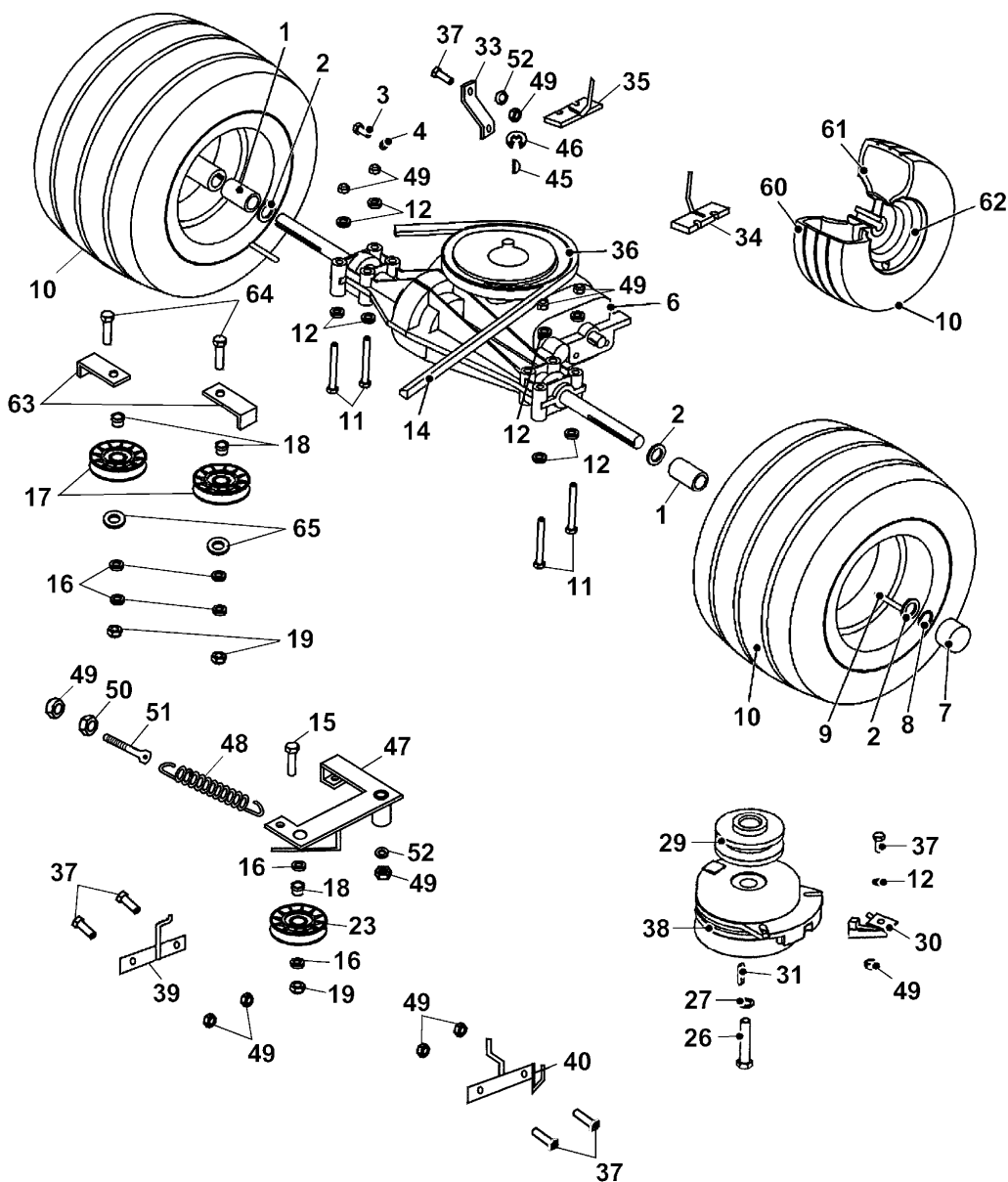
| Bild-Nr. | Best.-Nr. | Bezeichnung | Menge |
|----------|-----------|-----------------------------------|-------|
| 22 | 0016 214 | 6kt.-Mutter M10-DIN 934 CL.8 | 2 |
| 26 | 6205 559 | Drahtsicherung 16-DIN 71805S | 2 |
| 28 | 6200 129 | Scheibe 10.3 NORD-LOCK | 2 |
| 55 | 6205 021 | Winkel-Kugelgelenk 16, kpl. | 2 |
| 70 | 0010 385 | 6kt.-Schraube M8x16-DIN 933 8.8 | 2 |
| 71 | 0016 312 | Mutter, selbsts. M8-DIN 985 CL.8 | 4 |
| 72 | 0017 123 | Scheibe 8,4-DIN 125A | 4 |
| 73 | 0010 402 | 6kt.-Schraube M8x20-DIN 933 8.8 | 2 |
| 74 | 0022 415 | Sicherungsscheibe 15-DIN 6799 | 1 |
| 75 | 6205 482 | Distanzring, oben | 1 |
| 76 | 6205 541 | Lager FJB-12 | 2 |
| 77 | 6205 481 | Distanzring, unten | 1 |
| 78 | 6200 492 | Lenkwelle mit Zahnrad | 1 |
| 79 | 6205 564 | Mutter, selbsts. M12-DIN 982 CL.8 | 1 |
| 80 | 6205 545 | Exzentrerscheibe 12,4x50x5 | 1 |
| 81 | 0016 316 | Mutter, selbsts. M10-DIN 985 CL.8 | 1 |
| 82 | 6200 162 | Buchse | 1 |
| 83 | 6200 544 | Lenkungsplatte | 1 |
| 84 | 6205 110 | Zahnsegment | 1 |
| 85 | 6200 163 | Bundbolzen | 1 |
| 86 | 6200 150 | Arretierscheibe, Lenkwelle | 1 |
| 87 | 6205 578 | 6kt.-Schraube M12x45-DIN 933 8.8 | 1 |
| 88 | 6205 114 | Lenkzwischenstange | 1 |

english: see next page

Trac OHV 6, Series B, steering

| Ref. No. | Part No. | Description | Pieces |
|----------|----------|-----------------------------------|--------|
| 22 | 0016 214 | Hex nut M10 DIN 934 Cl.8 | 2 |
| 26 | 6205 559 | Locking stirrups 16 DIN 71805 S | 2 |
| 28 | 6200 129 | Washer 10.3 NORD-LOCK | 2 |
| 55 | 6205 021 | Ball angle joint 16 - complete | 2 |
| 70 | 0010 385 | Hex screw M8x16 DIN 933 8.8 | 2 |
| 71 | 0016 312 | Self locking nut M8 DIN 985 Cl.8 | 4 |
| 72 | 0017 123 | Flat washer 8.4 DIN 125 A | 4 |
| 73 | 0010 402 | Hex screw M8 x 20 DIN 933 8.8 | 2 |
| 74 | 0022 415 | Spring clip 15 DIN 6799 | 1 |
| 75 | 6205 482 | Spacer, upper | 1 |
| 76 | 6205 541 | Spherical bearing FJB 12 | 2 |
| 77 | 6205 481 | Spacer, lower | 1 |
| 78 | 6200 492 | Steering shaft pinioin gear | 1 |
| 79 | 6205 564 | Self-Locking nut M12 DIN 982 Cl.8 | 1 |
| 80 | 6205 545 | Eccentric bolt washer 12.4x50x3 | 1 |
| 81 | 0016 312 | Self locking nut M8 DIN 985 Cl.8 | 1 |
| 82 | 6200 162 | bush | 1 |
| 83 | 6200 544 | Steering plate | 1 |
| 84 | 6205 110 | Sector gear | 1 |
| 85 | 6200 163 | Shoulder bolt | 1 |
| 86 | 6200 150 | washer, steering shaft | 1 |
| 87 | 6205 578 | Hex screw M12x45 DIN 933 8.8 | 1 |
| 88 | 6205 114 | Drag link | 1 |

- Ⓓ Trac OHV 6 6200 000, Serie B, Antrieb / Getriebe
- ⒼⒷ Trac OHV 6 6200 000, Series B, transmission drive



Trac OHV 6, Serie B, Antrieb / Getriebe

| Bild-Nr. | Best.-Nr. | Bezeichnung | Menge |
|----------|-----------|---|-------|
| 1 | 6200 166 | Distanzbuchse, Achse | 2 |
| 2 | 6205 122 | Scheibe | 4 |
| 3 | 6205 123 | Schraube 5/16 - 18 NC x 3/4 LG, HWH | 1 |
| 4 | 0017 909 | Federring 8-DIN 127B | 1 |
| 6 | 6200 050 | Getriebe 6 SPD | 1 |
| 7 | 6205 307 | Kappe, schwarz 1-1/2 SC | 2 |
| 8 | 0022 415 | Sicherungsscheibe 15-DIN 6799 | 2 |
| 9 | 6205 140 | Passfeder 3/16x3/16x2.5 | 2 |
| 10 | 6200 043 | Hinterrad, kpl. 18x9.50-8 TURF MADE | 2 |
| 11 | 6205 575 | 6kt.-Schraube M10x75-DIN 931 8.8 | 4 |
| 12 | 0017 123 | Scheibe 8,4-DIN 125A | 5 |
| 14 | 6200 340 | Keilriemen LA 106 | 1 |
| 15 | 0010 346 | 6kt.-Schraube M10x40-DIN 931 8.8 | 1 |
| 16 | 0017 124 | Scheibe 10,5-DIN 125A | 5 |
| 17 | 6205 171 | Spannrolle V3000-3316-Steel | 2 |
| 18 | 6205 154 | Buchse | 3 |
| 19 | 0016 316 | Mutter, selbsts. M10-DIN 985 CL.8 | 2 |
| 23 | 6205 158 | Spannrolle F3000-0750 | 1 |
| 26 | 6205 139 | Schraube 7/16-20x2-1/2 LG | 1 |
| 27 | 6205 136 | Federring 7/16 | 1 |
| 29 | 6200 161 | Riemenscheibe, Motor | 1 |
| 30 | 6205 457 | Arretierung | 1 |
| 31 | 6205 135 | Passfeder 1/4x1/4x1-1/4 | 1 |
| 33 | 6200 103 | Stabilisator | 1 |
| 34 | 6200 104 | Riemenfhrung, rechts (Scheibe, Getriebe) | 1 |
| 35 | 6200 105 | Riemenfhrung, links (Scheibe, Getriebe) | 1 |
| 36 | 6200 168 | Riemenscheibe, Getriebe | 1 |
| 37 | 0010 402 | 6kt.-Schraube M8x20-DIN 933 8.8 | 6 |
| 38 | 6205 030 | Elektromagnetische Kupplung | 1 |
| 39 | 6200 106 | Riemenfhrung, rechts (Scheibe, Motor) | 1 |
| 40 | 6200 107 | Riemenfhrung, links (Scheibe, Motor) | 1 |
| 45 | 6200 555 | Scheibenfeder 9" | 1 |
| 46 | 6200 119 | Sicherungsring 11-DIN 471 | 1 |
| 47 | 6200 108 | Spannrollenarm | 1 |

Trac OHV 6, Serie B, Antrieb / Getriebe

| Bild-Nr. | Best.-Nr. | Bezeichnung | Menge |
|----------|-----------|--------------------------------------|-------|
| 48 | 6200 415 | Zugfeder, Spannrollenarm | 1 |
| 49 | 0016 312 | Mutter, selbsts. M8-DIN 985 CL.8 | 12 |
| 50 | 0016 213 | Mutter M8-DIN 934 CL.8 | 1 |
| 51 | 6200 455 | Augenschraube | 1 |
| 52 | 6205 568 | Scheibe 8,4-DIN 9021B | 2 |
| 60 | 6200 310 | Reifen 18x9.50-8 | 2 |
| 61 | 6200 317 | Schlauch 18x9.50-8 | 2 |
| 62 | 6200 172 | Felge 18x9.50-8 | 2 |
| 63 | 6200 125 | Riemenführungswinkel | 2 |
| 64 | 6200 130 | Sechskantschraube M10x50 DIN 931 8.8 | 2 |
| 65 | 0017 485 | Scheibe 10.5 DIN 7349 | 2 |

english: see next page

Trac OHV 6, Serie B, Antrieb / Getriebe

| Bild-Nr. | Best.-Nr. | Bezeichnung | Menge |
|----------|-----------|--------------------------------------|-------|
| 48 | 6200 415 | Zugfeder, Spannrollenarm | 1 |
| 49 | 0016 312 | Mutter, selbsts. M8-DIN 985 CL.8 | 12 |
| 50 | 0016 213 | Mutter M8-DIN 934 CL.8 | 1 |
| 51 | 6200 455 | Augenschraube | 1 |
| 52 | 6205 568 | Scheibe 8,4-DIN 9021B | 2 |
| 60 | 6200 310 | Reifen 18x9.50-8 | 2 |
| 61 | 6200 317 | Schlauch 18x9.50-8 | 2 |
| 62 | 6200 172 | Felge 18x9.50-8 | 2 |
| 63 | 6200 125 | Riemenführungswinkel | 2 |
| 64 | 6200 130 | Sechskantschraube M10x50 DIN 931 8.8 | 2 |
| 65 | 0017 485 | Scheibe 10.5 DIN 7349 | 2 |

english: see next page

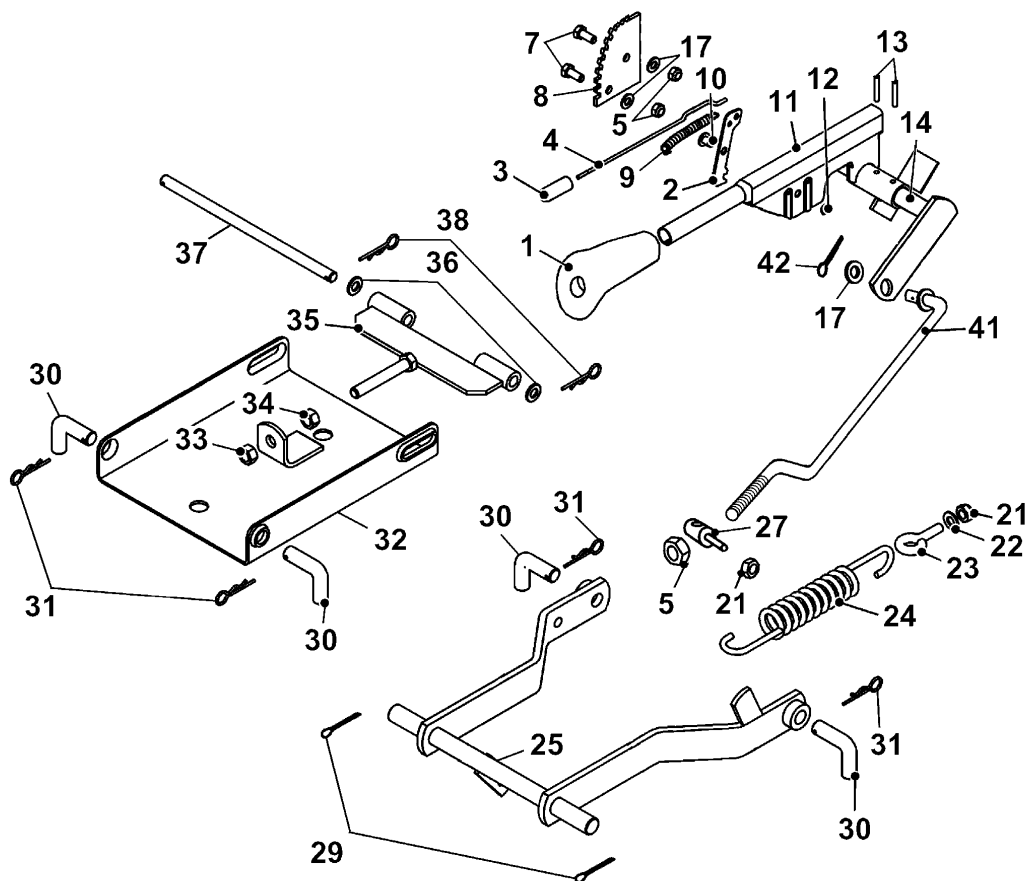
Trac OHV 6, Series B, transmission drive

| Ref. No. | Part No. | Description | Pieces |
|----------|----------|---------------------------------------|--------|
| 1 | 6200 166 | Spacer, axle | 2 |
| 2 | 6205 122 | Washer | 4 |
| 3 | 6205 123 | Taptite 5/16 - 18 NC x 3/4 LG, HWH | 1 |
| 4 | 0017 909 | Spring washer 8 DIN 127 B | 1 |
| 6 | 6200 050 | Transmission 6 SPD | 1 |
| 7 | 6205 307 | Hub cap 1-1/2 Sc | 2 |
| 8 | 0022 415 | Spring clip 15 DIN 6799 | 2 |
| 9 | 6205 140 | Square key 3/16x3/16x2.5 | 2 |
| 10 | 6200 043 | Rear tyre wheel assy 18x9.50-8 | 2 |
| 11 | 6205 575 | Hex Screw M10x75 DIN 931 8.8 | 4 |
| 12 | 0017 123 | Flat washer 8.4 DIN 125 A | 5 |
| 14 | 6200 340 | Traction belt, La 106 | 1 |
| 15 | 0010 346 | Hex screw M10 x 40 DIN 931 8.8 | 1 |
| 16 | 0017 124 | Flat washer 10.5 DIN 125 A | 5 |
| 17 | 6205 171 | Idler pulley V 3000 - 3316 - steel | 2 |
| 18 | 6205 154 | Idler bushing | 3 |
| 19 | 0016 316 | Self-locking nut M10 DIN 985 Cl.8 | 2 |
| 23 | 6205 158 | Idler pulley F 3000 - 0750 | 1 |
| 26 | 6205 139 | Screw | 1 |
| 27 | 6205 136 | Spring washer 7/16 heavy | 1 |
| 29 | 6200 161 | Engine pulley | 1 |
| 30 | 6205 457 | Retainer | 1 |
| 31 | 6205 135 | Square key 1/4x1/4x1 1/4 | 1 |
| 33 | 6200 103 | Stabilizer | 1 |
| 34 | 6200 104 | Transmission pulley belt guard, right | 1 |
| 35 | 6200 105 | Transmission pulley belt guard, left | 1 |
| 36 | 6200 168 | Transmission pulley | 1 |
| 37 | 0010 402 | Hex screw M8 x 20 DIN 933 8.8 | 6 |
| 38 | 6205 030 | El. magnet clutch MSS - 80C 5217-9 | 1 |
| 39 | 6200 106 | Belt guard, right, engine pulley | 1 |
| 40 | 6200 107 | Belt guard, left, engine pulley | 1 |
| 45 | 6200 555 | Woodruff key 9" | 1 |
| 46 | 6200 119 | Locking ring 11 DIN 471 | 1 |
| 47 | 6200 108 | Odelr pulley arm bracket | 1 |

Trac OHV 6, Series B, transmission drive

| Ref. No. | Part No. | Description | Pieces |
|----------|----------|----------------------------------|--------|
| 48 | 6200 415 | Spring, idler pulley | 1 |
| 49 | 0016 312 | Self locking nut M8 DIN 985 Cl.8 | 12 |
| 50 | 0016 213 | Nut M8 DIN 934 Cl.8 | 1 |
| 51 | 6200 455 | Rod | 1 |
| 52 | 6205 568 | Flat washer 8.4 DIN 9021 B | 2 |
| 60 | 6200 310 | Tyre 18x9.50-8 | 2 |
| 61 | 6200 317 | Tube 18x9.50-8 | 2 |
| 62 | 6200 172 | Rim 18x9.50-7 | 2 |
| 63 | 6200 125 | v-belt guiding angle | 2 |
| 64 | 6200 130 | Hex screw M10x50 DIN 931 8.8 | 2 |
| 65 | 0017 485 | Washer 10.5 DIN 7349 | 2 |

- Ⓓ Trac OHV 6 6200 000, Serie B, Bedienungselemente, Höhenverstellung
- ⒼⒷ Trac OHV 6 6200 000, Series B, operation mower / lift



Trac OHV 6, Serie B, Bedienungselemente, Höhenverstellung

| Bild-Nr. | Best.-Nr. | Bezeichnung | Menge |
|----------|-----------|-----------------------------------|-------|
| 1 | 6205 320 | Griff, schwarz | 1 |
| 2 | 6205 103 | Rastlasche | 1 |
| 3 | 6205 305 | Druckknopf, schwarz | 1 |
| 4 | 6205 111 | Verbindungsstab | 1 |
| 5 | 0016 312 | Mutter,selbsts. M8-DIN 985 CL.8 | 3 |
| 7 | 0010 402 | 6kt.-Schraube M8x20-DIN 933 8.8 | 2 |
| 8 | 6200 118 | Zahnsegment | 1 |
| 9 | 6205 415 | Zugfeder | 1 |
| 10 | 6205 480 | Stift für Hebelarm | 1 |
| 11 | 6205 458 | Höheneinstellungsarm | 1 |
| 12 | 6205 585 | Sicherungsscheibe 6-DIN 6799 | 1 |
| 13 | 6205 571 | Spannstift 5x30-DIN 1481 | 2 |
| 14 | 6200 495 | Achse, Höheneinstellung | 1 |
| 17 | 0017 123 | Scheibe 8,4-DIN 125A | 3 |
| 21 | 0016 316 | Mutter, selbsts. M10-DIN 985 CL.8 | 2 |
| 22 | 0017 124 | Scheibe 10,5-DIN 125A | 1 |
| 23 | 6205 455 | Augenschraube M10x50x14-ZC | 1 |
| 24 | 6205 419 | Zugfeder | 1 |
| 25 | 6205 020 | Schwenkarm, kpl. | 1 |
| 27 | 6205 118 | Bolzen | 1 |
| 29 | 6205 560 | Splint 5x50-DIN 94 | 2 |
| 30 | 6205 459 | Bolzen, gebogen | 4 |
| 31 | 6205 107 | Klammer 214 (CP85H) | 4 |
| 32 | 6205 324 | Abdeckung, Vorderaufhängung | 1 |
| 33 | 6205 564 | Mutter, selbsts. M12-DIN 982 CL.8 | 1 |
| 34 | 6205 557 | 6kt.-Mutter M12-DIN 934 CL.8 | 1 |
| 35 | 6205 456 | Vorderhalter | 1 |
| 36 | 0017 125 | Scheibe 13-DIN 125A | 2 |
| 37 | 6205 109 | Bolzen | 1 |
| 38 | 6205 120 | Klammer | 2 |
| 41 | 6200 523 | Höheneinstellungsstange | 1 |
| 42 | 6205 563 | Splint 2x18 DIN 94 | 1 |

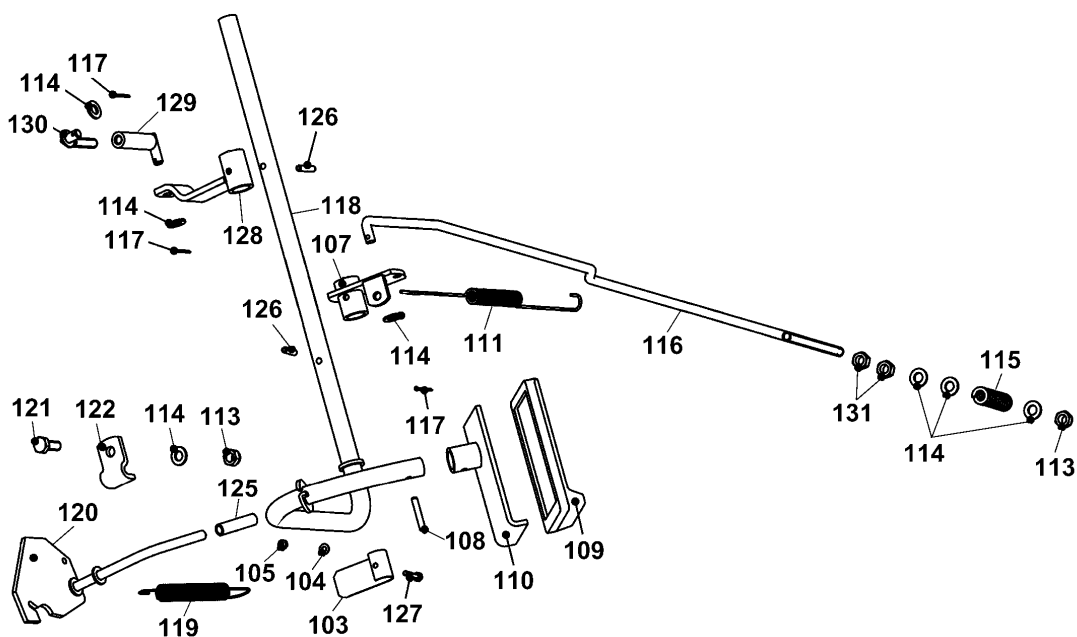
Trac OHV 6, Series B, operation mower / lift

| Ref. No. | Part No. | Description | Pieces |
|----------|----------|-----------------------------------|--------|
| 1 | 6205 320 | Handle grip - black | 1 |
| 2 | 6205 103 | Ratchet pivot plate | 1 |
| 3 | 6205 305 | Plunger button - black | 1 |
| 4 | 6205 111 | Connection rod | 1 |
| 5 | 0016 312 | Self locking nut M8 DIN 985 Cl.8 | 3 |
| 7 | 0010 402 | Hex screw M8 x 20 DIN 933 8.8 | 2 |
| 8 | 6200 118 | Gear segment | 1 |
| 9 | 6205 415 | Spring | 1 |
| 10 | 6205 480 | Arm lever pin | 1 |
| 11 | 6205 458 | Height adjustment arm lever | 1 |
| 12 | 6205 585 | Clip for pin 6 DIN 6799 | 1 |
| 13 | 6205 571 | Spring pin 5x30 DIN 1481 | 2 |
| 14 | 6200 495 | Height adjuster shaft | 1 |
| 17 | 0017 123 | Flat washer 8.4 DIN 125 A | 3 |
| 21 | 0016 316 | Self-locking nut M10 DIN 985 Cl.8 | 2 |
| 22 | 0017 124 | Flat washer 10.5 DIN 125 A | 1 |
| 23 | 6205 455 | Eye bolt M10x50x14 - Zc | 1 |
| 24 | 6205 419 | Lift spring | 1 |
| 25 | 6205 020 | Pivot arm assy | 1 |
| 27 | 6205 118 | bolt | 1 |
| 29 | 6205 560 | Cotter pin 5x50 DIN 94 | 2 |
| 30 | 6205 459 | Bent pin | 4 |
| 31 | 6205 107 | Hair pin clip | 4 |
| 32 | 6205 324 | Front suspension mower deck | 1 |
| 33 | 6205 564 | Self-Locking nut M12 DIN 982 Cl.8 | 1 |
| 34 | 6205 557 | Hex nut M12 DIN 934 Cl.8 | 1 |
| 35 | 6205 456 | Front holder | 1 |
| 36 | 0017 125 | Flat washer 13 DIN 125 A | 2 |
| 37 | 6205 109 | Pin | 1 |
| 38 | 6205 120 | Hair pin clip, H.D. | 2 |
| 41 | 6200 523 | height-adjustment rod | 1 |
| 42 | 6205 563 | Cotter pin 2x18 DIN 94 | 1 |

NR:6200 000 Bezeichnung: Trac OHV 6 Gruppe: AufsitzmÄrher Jahr: 03 Typ: B

Ⓓ Trac OHV 6 6200 000, Serie B, Bedienungselemente, Bremse

Ⓔ Trac OHV 6 6200 000, Series B, operation, brake



Trac OHV 6, Serie B, Bedienungselemente, Bremse

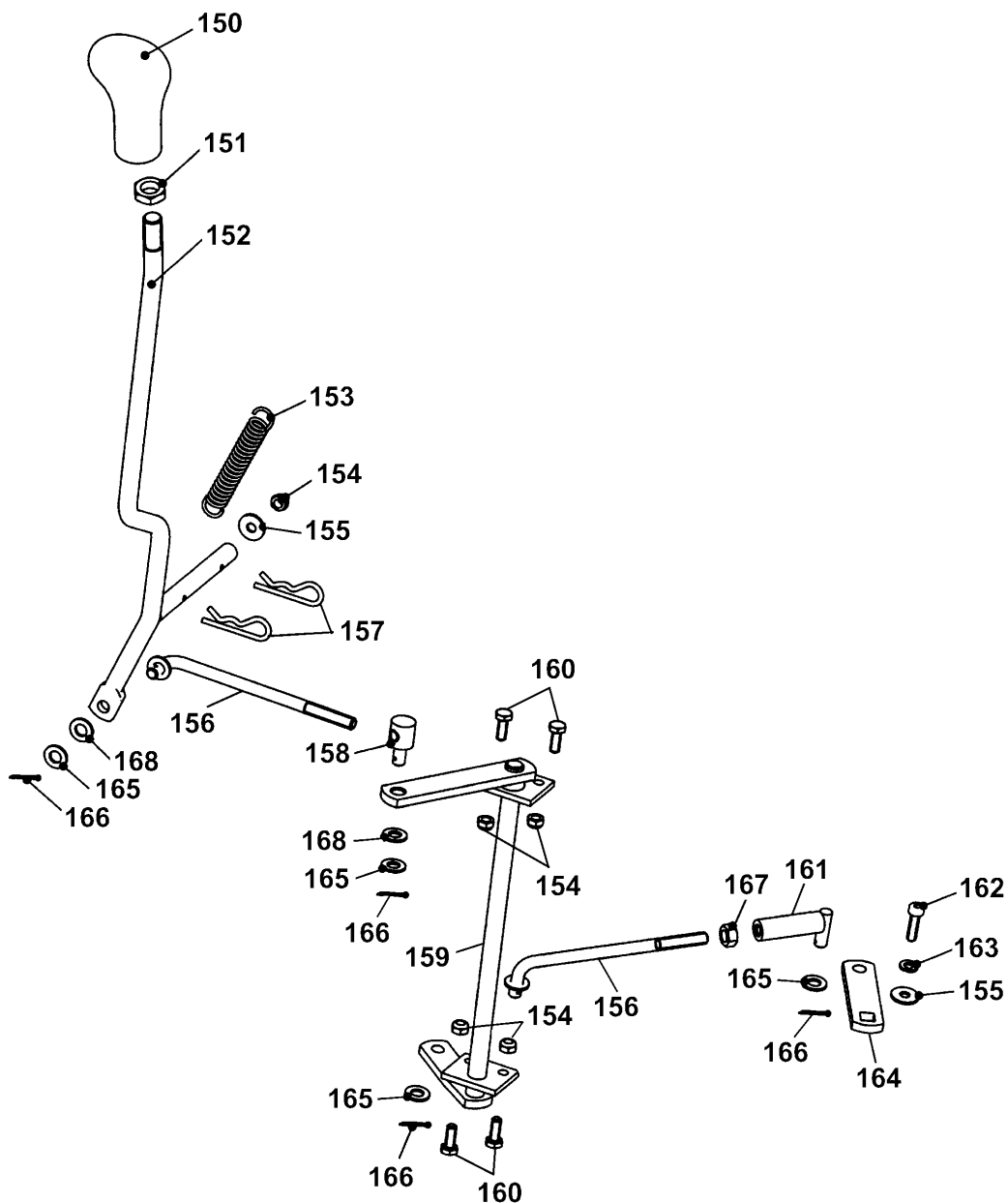
| Bild-Nr. | Best.-Nr. | Bezeichnung | Menge |
|----------|-----------|----------------------------------|-------|
| 103 | 6205 483 | Federhebel | 1 |
| 104 | 0017 119 | Scheibe 4,3-DIN 125A | 1 |
| 105 | 0016 309 | Mutter, selbsts. M4-DIN 985 CL.8 | 1 |
| 107 | 6200 111 | Befestigungsblech, Bremsachse | 1 |
| 108 | 6205 571 | Spannstift 5x30-DIN 1481 | 1 |
| 109 | 6200 308 | Pedalauflage, schwarz | 1 |
| 110 | 6205 494 | Pedal | 1 |
| 111 | 6200 416 | Zugfeder, Bremse | 1 |
| 113 | 0016 312 | Mutter,selbsts. M8-DIN 985 CL.8 | 2 |
| 114 | 0017 123 | Scheibe 8,4-DIN 125A | 7 |
| 115 | 6205 417 | Druckfeder | 1 |
| 116 | 6200 518 | Bremsverbindungsstange | 1 |
| 117 | 6205 563 | Splint 2x18 DIN 94 | 3 |
| 118 | 6200 522 | Bremsachse | 1 |
| 119 | 6205 418 | Zugfeder | 1 |
| 120 | 6205 493 | Hebel für Handbremse | 1 |
| 121 | 0010 402 | 6kt.-Schraube M8x20-DIN 933 8.8 | 1 |
| 122 | 6205 113 | Feststellklemme | 1 |
| 125 | 6205 155 | Hülse A281/B11/2 | 1 |
| 126 | 6205 566 | Spannstift 5x22-DIN 1481 | 2 |
| 127 | 6205 576 | 6kt.-Schraube M4x25-DIN 933 8.8 | 1 |
| 128 | 6200 525 | Befestigung, Bremsachse | 1 |
| 129 | 6200 498 | Verbindungsstück | 1 |
| 130 | 6200 112 | Verbindungsstück, verstellbar | 1 |
| 131 | 0016 213 | 6kt.-Mutter M8 DIN 934 Cl.8 | 2 |

english: see next page

Trac OHV 6, Series B, operation brake

| Ref. No. | Part No. | Description | Pieces |
|----------|----------|---------------------------------------|--------|
| 103 | 6205 483 | Spring lever | 1 |
| 104 | 0017 119 | Flat washer 4.3 DIN 125 A | 1 |
| 105 | 0016 309 | Self locking nut M4 DIN 985 Cl.8 | 1 |
| 107 | 6200 111 | Bracket, clutch cable + brake rod | 1 |
| 108 | 6205 571 | Spring pin 5x30 DIN 1481 | 1 |
| 109 | 6200 308 | Pedal pad - black | 1 |
| 110 | 6205 494 | Pedal | 1 |
| 111 | 6200 416 | Spring | 1 |
| 113 | 0016 312 | Self locking nut M8 DIN 985 Cl.8 | 2 |
| 114 | 0017 123 | Flat washer 8.4 DIN 125 A | 7 |
| 115 | 6205 417 | Brake spring | 1 |
| 116 | 6200 518 | Brake connecting rod | 1 |
| 117 | 6205 563 | Cotter pin 2x18 DIN 94 | 3 |
| 118 | 6200 522 | Brake - clutch shaft | 1 |
| 119 | 6205 418 | Hand brake spring | 1 |
| 120 | 6205 493 | Hand brake lever | 1 |
| 121 | 0010 402 | Hex screw M8 x 20 DIN 933 8.8 | 1 |
| 122 | 6205 113 | Parking brake lever clamp | 1 |
| 125 | 6205 155 | Brake knob s-cap 281x1-1/2 LG - black | 1 |
| 126 | 6205 566 | Spring pin 5 x 22 DIN 1481 | 2 |
| 127 | 6205 576 | Hex screw M4 x 25 DIN 933 8.8 | 1 |
| 128 | 6200 525 | Bracket | 1 |
| 129 | 6200 498 | Link | 1 |
| 130 | 6200 112 | Adjustable link, formed | 1 |
| 131 | 0016 213 | Hex nut M8 DIN 934 Cl.8 | 2 |

- Ⓓ Trac OHV 6 6200 000, Serie B, Bedienungselemente, Schaltung
- ⒼⒷ Trac OHV 6 6200 000, Series B, operation change gear



Trac OHV 6, Serie B, Bedienungselemente, Schaltung

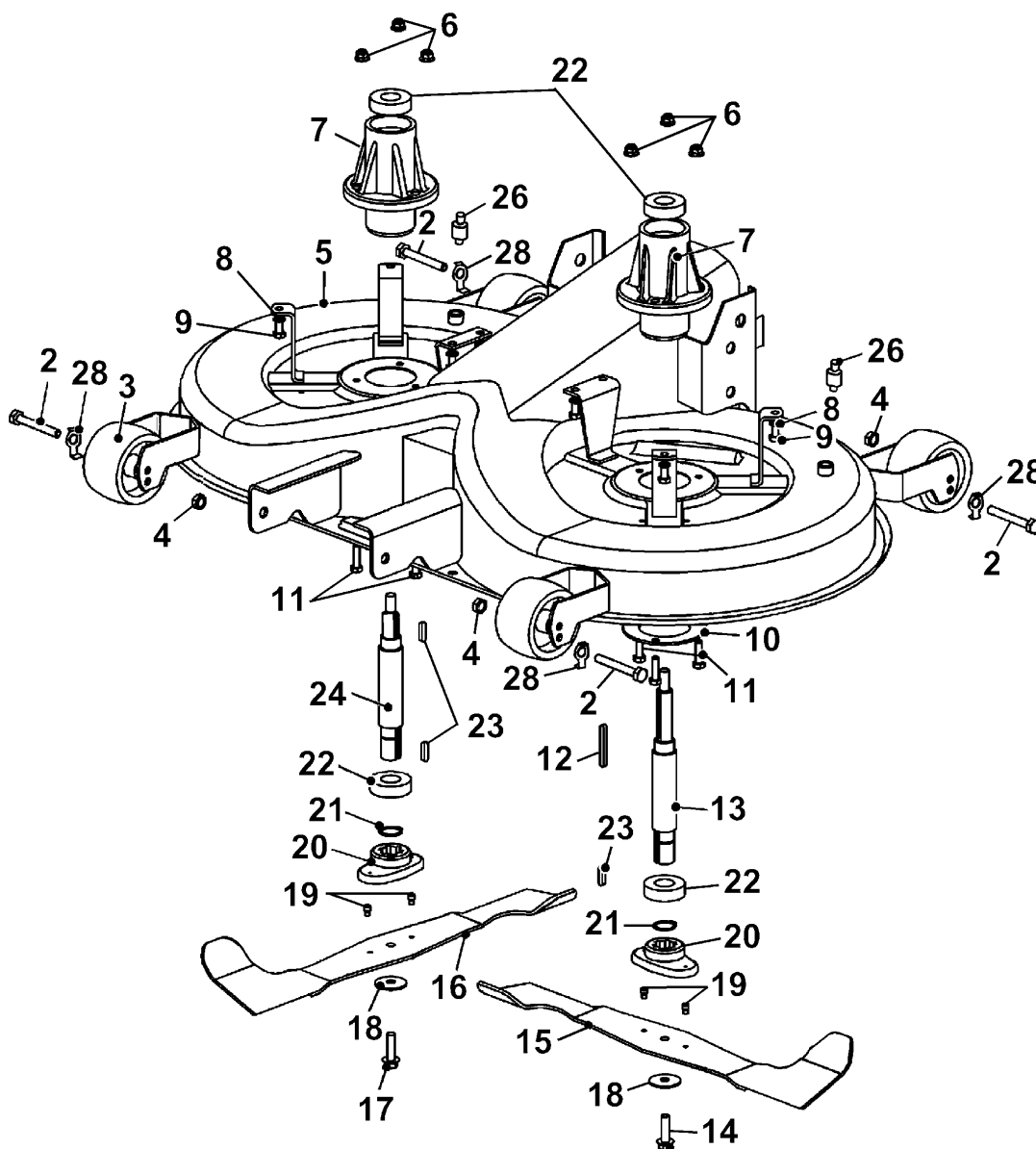
| Bild-Nr. | Best.-Nr. | Bezeichnung | Menge |
|----------|-----------|---------------------------------|-------|
| 150 | 6200 315 | Schaltknauf | 1 |
| 151 | 6200 121 | Mutter M12 DIN 439B | 1 |
| 152 | 6200 113 | Schalthebel | 1 |
| 153 | 6200 417 | Zugfeder | 1 |
| 154 | 0016 311 | Mutter M6 DIN 985 CL.8 | 5 |
| 155 | 6205 567 | Scheibe 6,4-DIN 9021B | 2 |
| 156 | 6200 114 | Verbindungsstab | 2 |
| 157 | 6205 120 | Klammer | 2 |
| 158 | 6200 116 | Bolzen | 1 |
| 159 | 6200 020 | Schwenkarm, kpl. | 1 |
| 160 | 0010 400 | 6kt.-Schraube M6x16-DIN 933 8.8 | 4 |
| 161 | 6200 498 | Verbindungsstück | 1 |
| 162 | 6200 123 | Schraube 1/4"-28 UNFX7/8 LG | 1 |
| 163 | 0017 908 | Federring 6-DIN127B | 1 |
| 164 | 6200 122 | Hebel, Getriebe | 1 |
| 165 | 0017 123 | Scheibe 8,4-DIN 125A | 4 |
| 166 | 6205 563 | Splint 2x18 DIN 94 | 4 |
| 167 | 0016 213 | 6kt.-Mutter M8 DIN 934 Cl.8 | 1 |
| 168 | 0017 811 | Federring 8.4 DIN 137A | 2 |

english: see next page

Trac OHV 6, Series B, operation change gear

| Ref. No. | Part No. | Description | Pieces |
|----------|----------|----------------------------------|--------|
| 150 | 6200 315 | Handle grip | 1 |
| 151 | 6200 121 | Nut M12 DIN 439B | 1 |
| 152 | 6200 113 | Shift lever | 1 |
| 153 | 6200 417 | Spring | 1 |
| 154 | 0016 311 | Self-locking nut M6 DIN 985 Cl.8 | 5 |
| 155 | 6205 567 | Flat washer 6.4 DIN 9021 B | 2 |
| 156 | 6200 114 | Connecting rod, upper | 2 |
| 157 | 6205 120 | Hair pin clip, H.D. | 2 |
| 158 | 6200 116 | Pin | 1 |
| 159 | 6200 020 | Pivot arm assy. | 1 |
| 160 | 0010 400 | Hex screw M6 x 16 DIN 933 8.8 | 4 |
| 161 | 6200 498 | Connecting rod | 1 |
| 162 | 6200 123 | Screw 1/4"-28 UNFx7/8 LG | 1 |
| 163 | 0017 908 | Spring washer 6 DIN 127 B | 1 |
| 164 | 6200 122 | Transmission lever | 1 |
| 165 | 0017 123 | Flat washer 8.4 DIN 125 A | 4 |
| 166 | 6205 563 | Cotter pin 2x18 DIN 94 | 4 |
| 167 | 0016 213 | Hex nut M8 DIN 934 Cl.8 | 1 |
| 168 | 0017 811 | Spring washer 8.4 DIN 137A | 2 |

- Ⓓ Trac OHV 6 6200 000, Serie B, Mähwerk
- ⒼⒷ Trac OHV 6 6200 000, Series B, mower housing compl.



Trac OHV 6, Serie B, Mähwerk

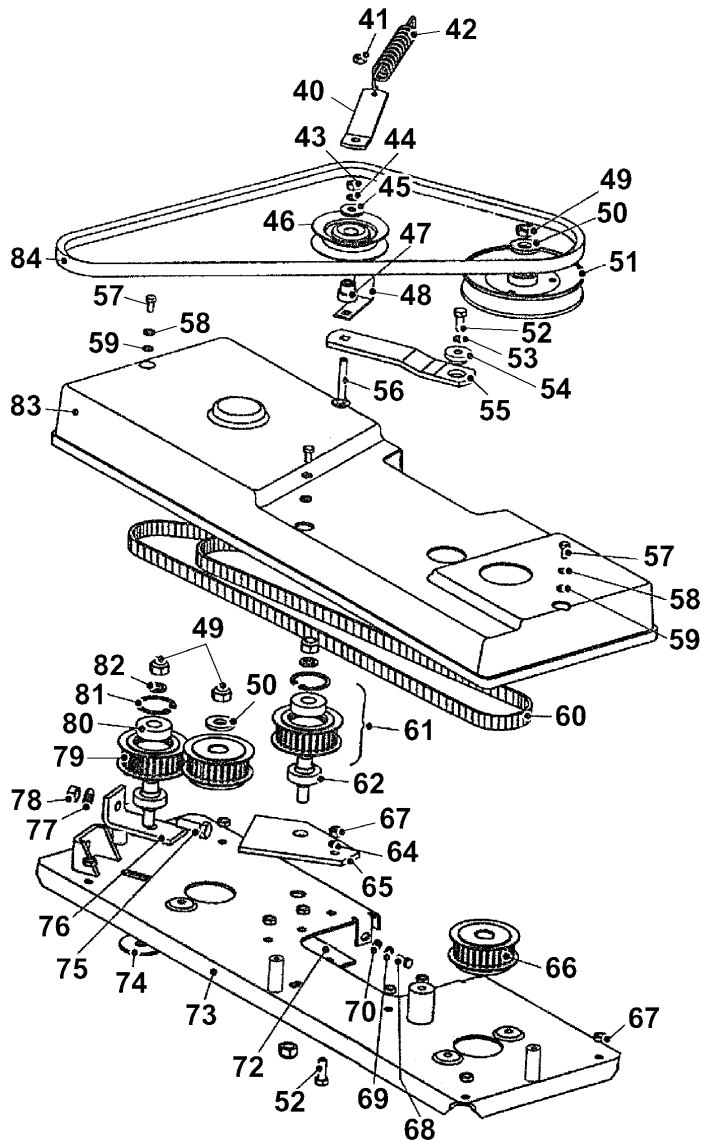
| Bild-Nr. | Best.-Nr. | Bezeichnung | Menge |
|----------|-----------|---|-------|
| 1 | 6200 032 | Mäheinrichtung, kpl. | 1 |
| 2 | 6205 579 | 6kt.-Schraube M10x90-DIN 931 8.8 | 4 |
| 3 | 6205 465 | Rolle für Mähgehäuse | 4 |
| 4 | 0016 316 | Mutter, selbsts. M10-DIN 985 CL.8 | 4 |
| 5 | 6205 033 | Mähgehäuse, kpl. | 1 |
| 6 | 0016 385 | Flanschmutter., selbsts. M8-DIN 6926 CL.8 | 6 |
| 7 | 6205 151 | Kupplungsbuchse | 2 |
| 8 | 0017 123 | Scheibe 8,4-DIN 125A | 8 |
| 9 | 0010 402 | 6kt.-Schraube M8x20-DIN 933 8.8 | 8 |
| 10 | 6205 547 | Stützring | 2 |
| 11 | 6205 581 | 6kt.-Flanschschraube M8x35-DIN 6921 8.8 | 6 |
| 12 | 6205 108 | Passfeder 6H9x6x63-DIN 6885A | 1 |
| 13 | 6205 485 | Messerwelle, links | 1 |
| 14 | 6205 558 | 6kt.-Schraube M10x1x35 | 1 |
| 15 | 6205 401 | Messerbalken, links | 1 |
| 16 | 6205 400 | Messerbalken, rechts | 1 |
| 17 | 6205 128 | 6kt.-Schraube, linksgew. M10x1x35 | 1 |
| 18 | 6205 549 | Belleville-Scheibe | 2 |
| 19 | 6205 138 | Scherstift, genutzt | 4 |
| 20 | 6205 101 | Messeradapter | 2 |
| 21 | 0020 023 | Sicherungsring 25-DIN 471 | 2 |
| 22 | 0023 151 | Rillenkugellager 6205A 2RS | 4 |
| 23 | 6205 554 | Passfeder 6H9x6x25-DIN 6885A | 3 |
| 24 | 6205 484 | Messerwelle, rechts | 1 |
| 26 | 6205 339 | Kunststoffverbindung | 2 |
| 28 | 6200 131 | Scheibe 10,5-DIN 93 | 4 |

english: see next page

Trac OHV 6, Series B, mower housing

| Ref. No. | Part No. | Description | Pieces |
|----------|----------|--|--------|
| 1 | 6200 032 | Cutting system, complete | 1 |
| 2 | 6205 579 | Hex screw M10x90 DIN 931 8.8 | 4 |
| 3 | 6205 465 | Gauge wheel | 4 |
| 4 | 0016 316 | Self-locking nut M10 DIN 985 Cl.8 | 4 |
| 5 | 6205 033 | Mower housing, complete | 1 |
| 6 | 0016 385 | Self lock. flange nut M8 DIN 6926 Cl.8 | 6 |
| 7 | 6205 151 | Quill housing | 2 |
| 8 | 0017 123 | Flat washer 8.4 DIN 125 A | 8 |
| 9 | 0010 402 | Hex screw M8 x 20 DIN 933 8.8 | 8 |
| 10 | 6205 547 | Ring support | 2 |
| 11 | 6205 581 | Hex flange bolt M8x35 DIN 6921 8.8 | 6 |
| 12 | 6205 108 | Key 6h9x6x63 DIN 6885 A | 1 |
| 13 | 6205 485 | Blade shaft, left | 1 |
| 14 | 6205 558 | Hex screw M10x1x35 | 1 |
| 15 | 6205 401 | Blade, left | 1 |
| 16 | 6205 400 | Blade, right | 1 |
| 17 | 6205 128 | Hex screw M10x1x35, left | 1 |
| 18 | 6205 549 | Belleville washer 5808-147-109 | 2 |
| 19 | 6205 138 | Grooved shear pin | 4 |
| 20 | 6205 101 | Blade adaptor | 2 |
| 21 | 0020 023 | Locking ring 25 DIN 471 | 2 |
| 22 | 0023 151 | Bearing 6205 A 2RS | 4 |
| 23 | 6205 554 | Square key 6h9x6x25 DIN 6885 A | 3 |
| 24 | 6205 484 | Blade shaft, right | 1 |
| 26 | 6205 339 | Plastic connection | 2 |
| 28 | 6200 131 | Washer 10,5-DIN 93 | 4 |

- Ⓓ Trac OHV 6 6200 000, Serie B, Riemen / Übersetzung Mähwerk
- ⒼⒷ Trac OHV 6 6200 000, Series B, cutting pan drive system



Trac OHV 6, Serie B, Riemen / Übersetzung Mähwerk

| Bild-Nr. | Best.-Nr. | Bezeichnung | Menge |
|----------|-----------|------------------------------------|-------|
| 40 | 6205 102 | Einstellhebel | 1 |
| 41 | 0016 312 | Mutter,selbsts. M8-DIN 985 CL.8 | 1 |
| 42 | 6205 421 | Zugfeder | 1 |
| 43 | 0016 110 | 6kt.-Mutter M8-DIN 439B CL.04 | 1 |
| 44 | 0017 909 | Federring 8-DIN 127B | 1 |
| 45 | 0017 484 | Scheibe 8,4-DIN 7349 | 1 |
| 46 | 6205 157 | Riemenscheibe W3500-3712 | 1 |
| 47 | 6205 163 | Buchse | 1 |
| 48 | 6205 474 | Riemenarretierung | 1 |
| 49 | 6205 564 | Mutter, selbsts. M12-DIN 982 CL.8 | 6 |
| 50 | 0017 129 | Scheibe | 2 |
| 51 | 6205 160 | Antriebsriemenscheibe | 1 |
| 52 | 0010 395 | 6kt.-Schraube M8x25-DIN 933 8.8 | 2 |
| 53 | 0017 909 | Federring 8-DIN 127B | 1 |
| 54 | 6205 152 | Bundbuchse | 1 |
| 55 | 6205 475 | Zwischenhebel | 1 |
| 56 | 0010 337 | 6kt.-Schraube M8x50-DIN 931 8.8 | 1 |
| 57 | 0010 400 | 6kt.-Schraube M6x16-DIN 933 8.8 | 3 |
| 58 | 6205 540 | Scheibe 6,4 BN 737 | 2 |
| 59 | 6205 328 | Gummscheibe 6,4 | 2 |
| 60 | 6205 348 | Zahnriemen 20DS 8M 1760 Mitsuboshi | 1 |
| 61 | 6205 022 | Zahnriemenscheibe, kpl. | 2 |
| 62 | 6205 470 | Bolzen | 2 |
| 64 | 0017 123 | Scheibe 8,4-DIN 125A | 1 |
| 65 | 6205 476 | Stützblech | 1 |
| 66 | 6205 162 | Antriebszahnriemenscheibe 28 | 2 |
| 67 | 0016 312 | Mutter,selbsts. M8-DIN 985 CL.8 | 8 |
| 68 | 6205 582 | Schlossschraube M6x16-DIN 603 6.8 | 1 |
| 69 | 0017 121 | Scheibe 6,4 DIN 125A | 1 |
| 70 | 0016 311 | Mutter M6 DIN 985 CL.8 | 1 |
| 72 | 6205 477 | Scheibe | 1 |
| 73 | 6205 031 | Messerantriebsplatte, kpl. | 1 |
| 74 | 6205 545 | Exzentrerscheibe 12,4x50x3 | 1 |
| 75 | 6205 577 | 6kt.-Schraube M10x45-DIN 933 8.8 | 1 |

Trac OHV 6, Serie B, Riemen / Übersetzung Mähwerk

| Bild-Nr. | Best.-Nr. | Bezeichnung | Menge |
|----------|-----------|-----------------------------------|-------|
| 76 | 6205 478 | Halterungswinkel | 1 |
| 77 | 0017 124 | Scheibe 10,5-DIN 125A | 1 |
| 78 | 0016 316 | Mutter, selbsts. M10-DIN 985 CL.8 | 1 |
| 79 | 6205 165 | Zahnriemenscheibe 28 | 2 |
| 80 | 0023 226 | Rillenkugellager 6203 2RS | 2 |
| 81 | 0021 126 | Sicherungsring 40-DIN 472 | 2 |
| 82 | 0017 125 | Scheibe 13-DIN 125A | 2 |
| 83 | 6205 325 | Riemenabdeckung, schwarz | 1 |
| 84 | 6200 316 | Keilriemen 17x1400 B55 Mitsuboshi | 1 |

english: see next page

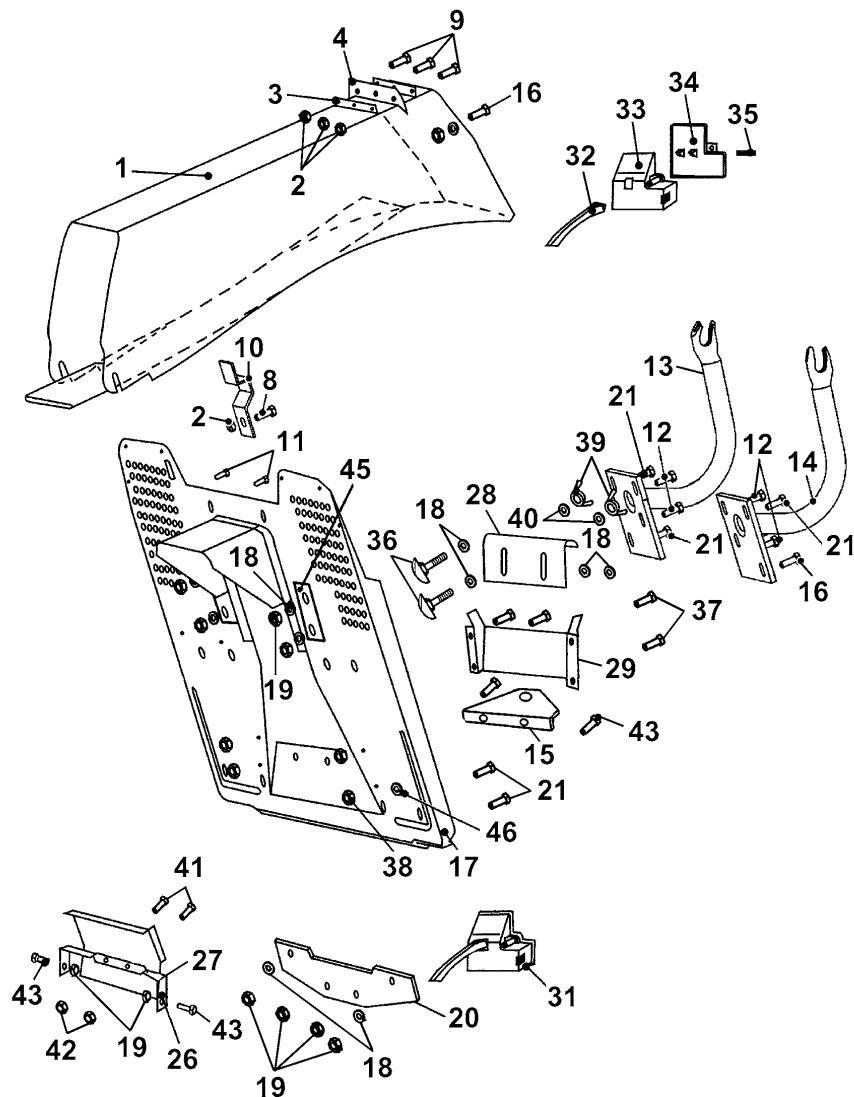
Trac OHV 6, Series B, cutting pan drive system

| Ref. No. | Part No. | Description | Pieces |
|----------|----------|-----------------------------------|--------|
| 40 | 6205 102 | Engagement lever | 1 |
| 41 | 0016 312 | Self locking nut M8 DIN 985 Cl.8 | 1 |
| 42 | 6205 421 | Spring | 1 |
| 43 | 0016 110 | Hex nut M8 DIN439 B Cl.04 | 1 |
| 44 | 0017 909 | Spring washer 8 DIN 127 B | 1 |
| 45 | 0017 484 | Washer 8.4-DIN 7349 | 1 |
| 46 | 6205 157 | Idler pulley W3500 - 3712 | 1 |
| 47 | 6205 163 | Bushing | 1 |
| 48 | 6205 474 | Belt retainer | 1 |
| 49 | 6205 564 | Self-Locking nut M12 DIN 982 Cl.8 | 6 |
| 50 | 0017 129 | Flat washer 21 DIN 125 A | 2 |
| 51 | 6205 160 | Drive pulley | 1 |
| 52 | 0010 395 | Hex screw M8 x 25 DIN 933 8.8 | 2 |
| 53 | 0017 909 | Spring washer 8 DIN 127 B | 1 |
| 54 | 6205 152 | Shoulder spacer | 1 |
| 55 | 6205 475 | Idler arm | 1 |
| 56 | 0010 337 | Hex screw M8 x 50 DIN 931 8.8 | 1 |
| 57 | 0010 400 | Hex screw M6 x 16 DIN 933 8.8 | 3 |
| 58 | 6205 540 | Flat washer 6.4 BN 737 | 2 |
| 59 | 6205 328 | Rubber washer 6.4 | 2 |
| 60 | 6205 348 | Cog belt 25DS 8M 2000 Mitsuboshi | 1 |
| 61 | 6205 022 | Cog pulley assy | 2 |
| 62 | 6205 470 | Cog pulley pin | 2 |
| 64 | 0017 123 | Flat washer 8.4 DIN 125 A | 1 |
| 65 | 6205 476 | Pulley support | 1 |
| 66 | 6205 162 | Drive cog pulley 28 | 2 |
| 67 | 0016 312 | Self locking nut M8 DIN 985 Cl.8 | 8 |
| 68 | 6205 582 | Carriage bolt M6x16 DIN 603 6.8 | 1 |
| 69 | 0017 121 | Flat washer 6.4 DIN 125 A | 1 |
| 70 | 0016 311 | Self-locking nut M6 DIN 985 Cl.8 | 1 |
| 72 | 6205 477 | Flat washer | 1 |
| 73 | 6205 031 | Blade drive plate assy | 1 |
| 74 | 6205 545 | Eccentric bolt washer 12.4x50x3 | 1 |
| 75 | 6205 577 | Hex screw M10 x 45 DIN 933 8.8 | 1 |

Trac OHV 6, Series B, cutting pan drive system

| Ref. No. | Part No. | Description | Pieces |
|----------|----------|-----------------------------------|--------|
| 76 | 6205 478 | Bracket idler | 1 |
| 77 | 0017 124 | Flat washer 10.5 DIN 125 A | 1 |
| 78 | 0016 316 | Self-locking nut M10 DIN 985 Cl.8 | 1 |
| 79 | 6205 165 | Cog pulley 28 | 2 |
| 80 | 0023 226 | Bearing 6203A 2RS | 2 |
| 81 | 0021 126 | Locking ring 40 DIN 472 | 2 |
| 82 | 0017 125 | Flat washer 13 DIN 125 A | 2 |
| 83 | 6205 325 | Belt cover - black | 1 |
| 84 | 6200 316 | V-Belt 17 x 1400 B55 - Mitsuboshi | 1 |

- Ⓓ Trac OHV 6 6200 000, Serie B, Auswurfkanal – Aufnahme Fangeinrichtung
- ⒼⒷ Trac OHV 6 6200 000, Series B, chute collector assembly



Trac OHV 6, Serie B, Auswurfkanal - Aufnahme Fangeinricht.

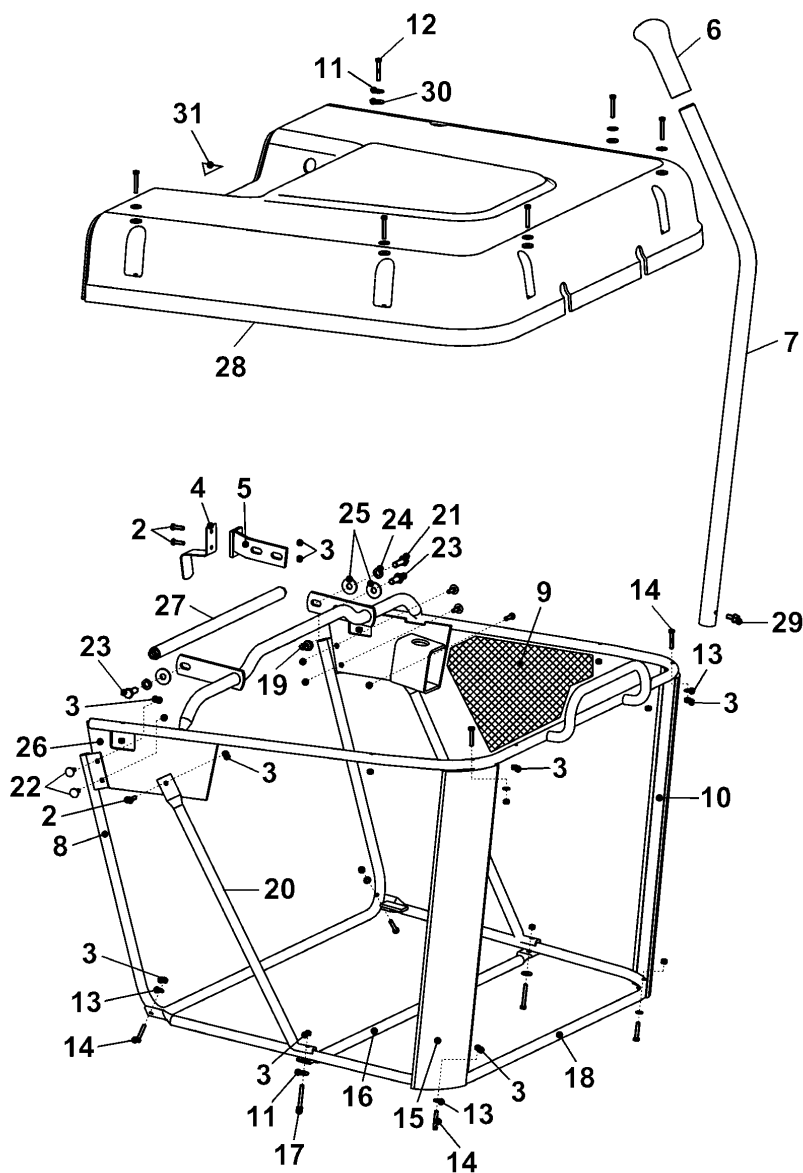
| Bild-Nr. | Best.-Nr. | Bezeichnung | Menge |
|----------|-----------|---|-------|
| 1 | 6200 342 | Fangkanal | 1 |
| 2 | 0016 309 | Mutter, selbsts. M4-DIN 985 CL.8 | 4 |
| 3 | 6205 117 | Stützblech | 1 |
| 4 | 6205 301 | Gummidichtung | 1 |
| 8 | 6205 538 | Schraube-Ecofix M4x12 BN 4825H 4.8 | 1 |
| 9 | 0012 164 | Schlitzschraube M4x12-DIN 84a 8.8 | 3 |
| 10 | 6205 331 | Schalterabdeckung | 1 |
| 11 | 6205 539 | Schlossschraube M8x16 BN 11252 10.9 | 2 |
| 12 | 6205 129 | Schraube M8x25-Verbus Ripp BN 2797 CL.100 | 4 |
| 13 | 6205 519 | Einhängestütze, rechts | 1 |
| 14 | 6205 518 | Einhängestütze, links | 1 |
| 15 | 6205 502 | Anhängerblech | 1 |
| 16 | 0010 690 | 6kt.-Schraube M8x20-DIN 6921 8.8 | 2 |
| 17 | 6200 017 | Heckblech, kpl. | 1 |
| 18 | 0017 123 | Scheibe 8,4-DIN 125A | 9 |
| 19 | 0016 312 | Mutter, selbsts. M8-DIN 985 CL.8 | 11 |
| 20 | 6205 500 | Halterungsblech | 1 |
| 21 | 0010 403 | 6kt.-Schraube M8x25-DIN 6921 8.8 | 5 |
| 26 | 6205 504 | Klammer | 1 |
| 27 | 6200 502 | Schutzblech | 1 |
| 28 | 6200 503 | Verstellblech | 1 |
| 29 | 6200 506 | Gleitblech | 1 |
| 31 | 6205 057 | Überladungsschalter | 1 |
| 32 | 6200 510 | Betätigungshebel | 1 |
| 33 | 6200 338 | Schaltergehäuse, oben | 1 |
| 34 | 6200 337 | Schaltergehäuse, unten | 1 |
| 35 | 6205 511 | Stift | 1 |
| 36 | 6205 582 | Schlossschraube M6x16 DIN 603 6.8 | 2 |
| 37 | 0010 383 | Schraube M6x12 DIN 933 8.8 | 4 |
| 38 | 0016 311 | Mutter M6 DIN 985 CL.8 | 4 |
| 39 | 6205 321 | Flügelmutter 1/4-20 | 2 |
| 40 | 0017 121 | Scheibe 6,4 DIN 125 A | 2 |
| 41 | 0013 631 | Schlossschraube M5x16 DIN 603 6.8 | 2 |
| 42 | 0016 310 | Mutter M5 DIN 985 CL.8 | 2 |
| 43 | 0010 402 | 6kt.-Schraube M8x20-DIN 933 8.8 | 4 |
| 45 | 6205 535 | Verstärkungsblech | 2 |
| 46 | 6200 164 | Buchse 6 KD 707 | 1 |

english: see next page

Trac OHV 6, Series B, chute collector assembly

| Ref. No. | Part No. | Description | Pieces |
|----------|----------|---|--------|
| 1 | 6200 342 | Tunnel | 1 |
| 2 | 0016 309 | Self locking nut M4 DIN 985 Cl.8 | 4 |
| 3 | 6205 117 | Support plate | 1 |
| 4 | 6205 301 | Rubber seal | 1 |
| 8 | 6205 538 | Ecofix screw M4 x 12 BN 4825H 4.8 | 1 |
| 9 | 0012 164 | Head slotted screw M4 x 12 DIN 84A 8.8 | 3 |
| 10 | 6205 331 | Switch cover | 1 |
| 11 | 6205 539 | Carriage bolt M8 x 16 BN 11252 10.9 | 2 |
| 12 | 6205 129 | Screw M8 x 25 Verbus RippBN 2797 Cl.100 | 4 |
| 13 | 6205 519 | Collector support, right | 1 |
| 14 | 6205 518 | Collector support, left | 1 |
| 15 | 6205 502 | Tow hitch | 1 |
| 16 | 0010 690 | Hex screw M8 x 20 DIN 6921 8.8 | 2 |
| 17 | 6200 017 | Collector plate assy | 1 |
| 18 | 0017 123 | Flat washer 8.4 DIN 125 A | 9 |
| 19 | 0016 312 | Self locking nut M8 DIN 985 Cl.8 | 11 |
| 20 | 6205 500 | Tow hitch support | 1 |
| 21 | 0010 403 | Hex screw M8x25 DIN 6921 8.8 | 5 |
| 26 | 6205 504 | clamp | 1 |
| 27 | 6200 502 | Protective shield | 1 |
| 28 | 6200 503 | Adjustable shield | 1 |
| 29 | 6200 506 | Rear plate chute | 1 |
| 31 | 6205 057 | Overload switch assy, complete | 1 |
| 32 | 6200 510 | Overload switch actuation lever | 1 |
| 33 | 6200 338 | Upper housing, over-load switch | 1 |
| 34 | 6200 337 | Lower housing, over-load switch | 1 |
| 35 | 6205 511 | Pin, over-load switch | 1 |
| 36 | 6205 582 | Screw M6x16 DIN 603 6.8 | 2 |
| 37 | 0010 383 | Screw M6x12 DIN 933 8.8 | 4 |
| 38 | 0016 311 | Self-locking nut M6 DIN 985 Cl.8 | 4 |
| 39 | 6205 321 | Plastic wing nut 1/4-20 | 2 |
| 40 | 0017 121 | Flat washer 6.4 DIN 125 A | 2 |
| 41 | 0013 631 | Carriage bolt M5x16 DIN 603 6.8 | 2 |
| 42 | 0016 310 | Nut M5 DIN 985 KL8 | 2 |
| 43 | 0010 402 | Hex screw M8 x 20 DIN 933 8.8 | 4 |
| 45 | 6205 535 | Reinforcing | 2 |
| 46 | 6200 164 | Bushing 6 KD 707 | 1 |

- Ⓓ Trac OHV 6 6200 000, Serie B, Fangeinrichtung
- ⒼⒷ Trac OHV 6 6200 000, Series B, grass collector assembly



Trac OHV 6, Serie B, Fangeinrichtung

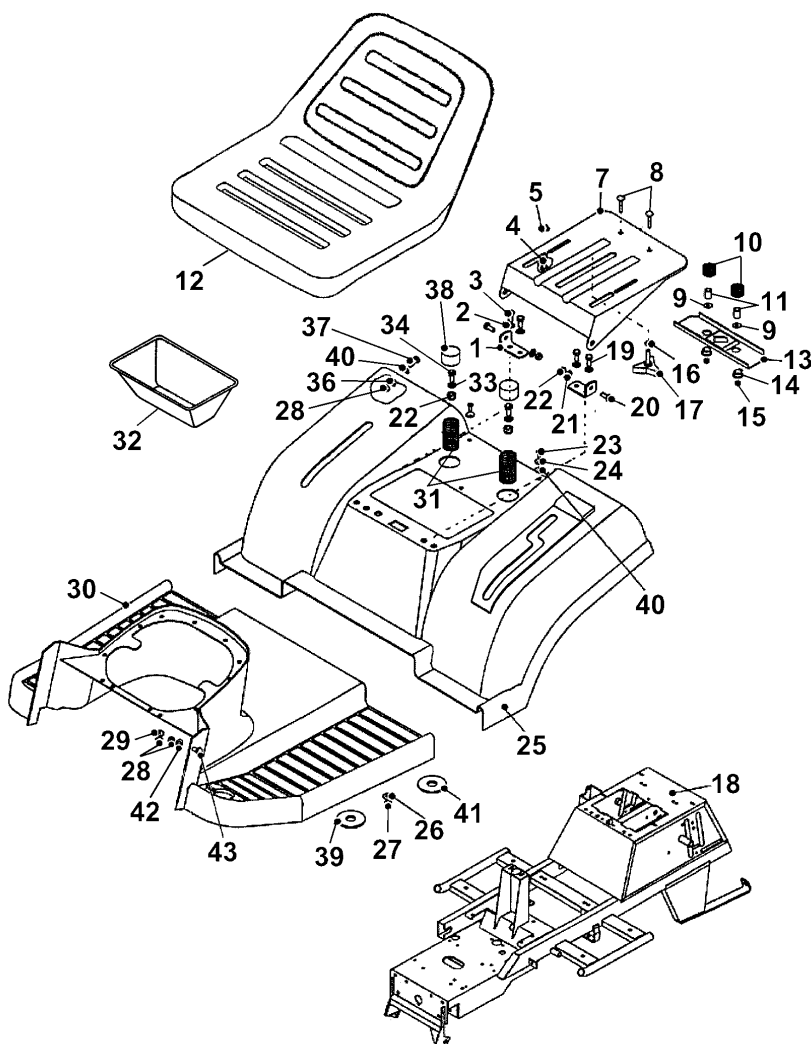
| Bild-Nr. | Best.-Nr. | Bezeichnung | Menge |
|----------|-----------|------------------------------------|-------|
| 1 | 6200 015 | Fangsack, kpl. | 1 |
| 2 | 0010 363 | 6kt.-Schraube M5x16-DIN 933 8.8 | 4 |
| 3 | 0016 310 | Mutter M5 DIN 985 CL.8 | 22 |
| 4 | 6205 469 | Federblech | 1 |
| 5 | 6200 469 | Federblech | 1 |
| 6 | 6205 314 | Schaltknäuf für Abladehebel | 1 |
| 7 | 6205 479 | Abladehebel | 1 |
| 8 | 6205 462 | Vorderrahmen | 1 |
| 9 | 6205 334 | Fangsacktuch | 1 |
| 10 | 6205 104 | Eckstütze, rechts | 1 |
| 11 | 0017 287 | Scheibe 5,3-DIN 9021B | 8 |
| 12 | 6200 133 | 6kt.-Schraube M5x30-DIN 933 8.8 | 8 |
| 13 | 0017 120 | Scheibe 5,3-DIN 125A | 6 |
| 14 | 0010 360 | 6kt.-Schraube M5x25-DIN 933 8.8 | 6 |
| 15 | 6205 105 | Eckstütze, links | 1 |
| 16 | 6205 106 | Querstange | 1 |
| 17 | 6205 565 | 6kt.-Schraube M5x35-DIN 933 8.8 | 2 |
| 18 | 6205 520 | Unterrahmen | 1 |
| 19 | 0016 312 | Mutter M8, selbsts. DIN 985 CL.8 | 1 |
| 20 | 6200 132 | Diagonalstrebe | 2 |
| 21 | 0010 125 | 6kt.-Schraube M8x25-DIN 933 8.8 | 1 |
| 22 | 0013 631 | Schlossschraube M5x16-DIN 603 6.8 | 4 |
| 23 | 0010 402 | 6kt.-Schraube M8x20-DIN 933 8.8 | 2 |
| 24 | 0017 909 | Federring 8-DIN 127B | 2 |
| 25 | 6205 568 | Scheibe 8,4-DIN 9021B | 3 |
| 26 | 6200 016 | Oberrahmen, kpl. | 1 |
| 27 | 6205 464 | Tragegriff | 1 |
| 28 | 6200 333 | Fangsackabdeckung | 1 |
| 29 | 6205 548 | Gewinde-Formschr. M6x12-DIN 7500 D | 1 |
| 30 | 6205 327 | Gummischeibe 5 | 6 |
| 31 | 6205 205 | Etikett-Dreieck | 1 |

english: see next page

Trac OHV 6, Series B, grass collector assembly

| Ref. No. | Part No. | Description | Pieces |
|----------|----------|---|--------|
| 1 | 6200 015 | Grass collector assy | 1 |
| 2 | 0010 363 | Hex screw M5x16 DIN 933 8.8 | 4 |
| 3 | 0016 310 | Nut M5 DIN 985 KL8 | 22 |
| 4 | 6205 469 | Collector spring, interlock | 1 |
| 5 | 6200 469 | Washer spring | 1 |
| 6 | 6205 314 | Handle grip, dump lever | 1 |
| 7 | 6205 479 | Dumping lever | 1 |
| 8 | 6205 462 | Front frame assy | 1 |
| 9 | 6205 334 | Grass collector bag CZ | 1 |
| 10 | 6205 104 | Corner support - right | 1 |
| 11 | 0017 287 | Flat washer 5.3 DIN 9021 B | 8 |
| 12 | 6200 133 | Hex screw M5x30-DIN 933 8.8 | 8 |
| 13 | 0017 120 | Flat washer 5.3 DIN 125 A | 6 |
| 14 | 0010 360 | Hex screw M5x25 DIN 933 8.8 | 6 |
| 15 | 6205 105 | Corner support- left | 1 |
| 16 | 6205 106 | Connecting brace | 1 |
| 17 | 6205 565 | Hex screw M5x35 DIN 933 8.8 | 2 |
| 18 | 6205 520 | Bottom frame assy | 1 |
| 19 | 0010 360 | Hex screw M5x25 DIN 933 8.8 | 1 |
| 20 | 6200 132 | Brace | 2 |
| 21 | 0010 363 | Hex screw M5x16 DIN 933 8.8 | 1 |
| 22 | 0013 631 | Carriage bolt M5x16 DIN 603 6.8 | 4 |
| 23 | 0010 402 | Hex screw M8 x 20 DIN 933 8.8 | 2 |
| 24 | 0017 909 | Spring washer 8 DIN 127 B | 2 |
| 25 | 6205 568 | Flat washer 8.4 DIN 9021 B | 3 |
| 26 | 6200 016 | Top frame assy | 1 |
| 27 | 6205 464 | Lift handle | 1 |
| 28 | 6200 333 | Collector cover | 1 |
| 29 | 6205 548 | Taptite thread form screw 1/4"-20 - 1/2 | 1 |
| 30 | 6205 327 | Rubber washer 5.3 | 6 |
| 31 | 6205 205 | label | 1 |

- Ⓓ Trac OHV 6 6200 000, Serie B, Chassis / Sitz
- ⒼⒷ Trac OHV 6 6200 000, Series B, body assembly – fender / seat



Trac OHV 6, Serie B, Chassis / Sitz

| Bild-Nr. | Best.-Nr. | Bezeichnung | Menge |
|----------|-----------|---|-------|
| 1 | 6205 473 | Stützwinkel | 2 |
| 2 | 0017 909 | Federring 8-DIN 127B | 4 |
| 3 | 0010 125 | 6kt.-Schraube M8x25-DIN 933 8.8 | 3 |
| 4 | 0010 690 | 6kt.-Schraube M8x20-DIN 933 8.8 | 2 |
| 5 | 6200 126 | Distanzscheibe | 2 |
| 7 | 6205 472 | Sitzstütze | 1 |
| 8 | 0013 641 | Schlossschraube M6x30-DIN 603 6.8 | 2 |
| 9 | 6205 567 | Scheibe 6,4-DIN 9021B | 2 |
| 10 | 6205 422 | Feder | 2 |
| 11 | 6205 164 | Distanzbuchse, geschlitz | 2 |
| 12 | 6200 347 | Sitz Quatro | 1 |
| 13 | 6205 471 | Klammerblech | 1 |
| 14 | 6205 150 | Buchse | 2 |
| 15 | 0016 311 | Mutter M6 DIN 985 CL.8 | 2 |
| 16 | 0017 811 | Federring 8-DIN 137A | 2 |
| 17 | 6205 124 | Verstellungsschraube M8x15 | 2 |
| 18 | 6200 010 | Chassisrahmen, kpl. | 1 |
| 19 | 0010 399 | 6kt.-Schraube M8x30-DIN 933 8.8 | 1 |
| 20 | 6205 119 | Schraube für Sitz | 2 |
| 21 | 0017 123 | Scheibe 8,4-DIN 125A | 2 |
| 22 | 0016 312 | Mutter,selbsts. M8-DIN 985 CL.8 | 4 |
| 23 | 6205 587 | Senkschr. m. Innensechskant M5x20-DIN 7991A4 | 2 |
| 24 | 6205 133 | Schlussscheibe 5,3 | 2 |
| 25 | 6200 334 | Konsole m. Batterieabdeckung | 1 |
| 26 | 0017 124 | Scheibe 10,5-DIN 125A | 4 |
| 27 | 0016 316 | Mutter, selbsts. M10-DIN 985 CL.8 | 4 |
| 28 | 0016 310 | Mutter, selbsts. M5-DIN 985 Cl.8 | 16 |
| 29 | 0017 287 | Mutter, selbsts. M5-DIN 9021 B | 6 |
| 30 | 6205 019 | Fussstütze, kpl. | 1 |
| 31 | 6205 420 | Druckfeder | 2 |
| 32 | 6200 320 | Batteriebox | 1 |
| 33 | 6205 568 | Scheibe 8.4-DIN 9021 B | 2 |
| 34 | 0010 402 | 6kt.-Schraube M8x20-DIN 933 8.8 | 2 |

Trac OHV 6, Serie B, Chassis / Sitz

| Bild-Nr. | Best.-Nr. | Bezeichnung | Menge |
|----------|-----------|-----------------------------------|-------|
| 36 | 0017 287 | Scheibe 5,3-DIN 9021B | 6 |
| 37 | 0013 631 | Schlossschraube M5x16-DIN 603 6.8 | 6 |
| 38 | 6205 307 | Kappe, schwarz | 2 |
| 39 | 6205 329 | Gummischeibe 10,5 | 2 |
| 40 | 6205 327 | Gummischeibe 5,3 | 8 |
| 41 | 6205 330 | Gummischeibe 11,5 | 2 |
| 42 | 0017 120 | Scheibe 5,3-DIN 125 A | 2 |
| 43 | 0012 955 | Senkkopfschraube M5x16-DIN 965A | 2 |

english: see next page

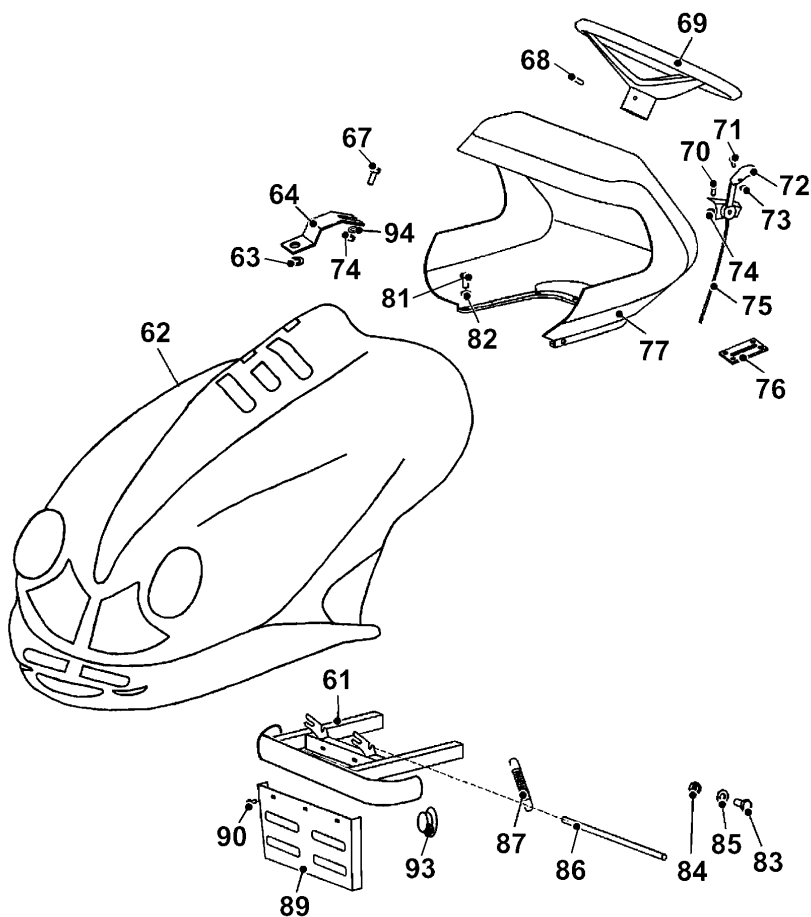
Trac OHV 6, Series B, body assembly - fender / seat

| Ref. No. | Part No. | Description | Pieces |
|----------|----------|---------------------------------------|--------|
| 1 | 6205 473 | Seat support bracket | 2 |
| 2 | 0017 909 | Spring washer 8 DIN 127 B | 4 |
| 3 | 0010 125 | Hex screw M8 x 25-DIN 933 8.8 | 3 |
| 4 | 0010 690 | Hex screw M8 x 20-DIN 933 8.8 | 2 |
| 5 | 6200 126 | Spacer washer | 2 |
| 7 | 6205 472 | Seat support | 1 |
| 8 | 0013 641 | Carriage bolt M6x30 DIN 603 6.8 | 2 |
| 9 | 6205 567 | Flat washer 6.4 DIN 9021 B | 2 |
| 10 | 6205 422 | Seat spring | 2 |
| 11 | 6205 164 | Spacer split | 2 |
| 12 | 6200 347 | Seat quatro | 1 |
| 13 | 6205 471 | Bracket | 1 |
| 14 | 6205 150 | Bushing | 2 |
| 15 | 0016 311 | Self-locking nut M6 DIN 985 Cl.8 | 2 |
| 16 | 0017 811 | Spring washer 8 DIN 137 A | 2 |
| 17 | 6205 124 | Adj. knob 285 5/16 -18x3/4" LG | 2 |
| 18 | 6200 010 | Chasis frame | 1 |
| 19 | 0010 399 | Hex screw M8x30 DIN 933 8.8 | 1 |
| 20 | 6205 119 | Seat support screw | 2 |
| 21 | 0017 123 | Flat washer 8.4 DIN 125 A | 2 |
| 22 | 0016 312 | Self locking nut M8 DIN 985 Cl.8 | 4 |
| 23 | 6205 587 | Flat head socket scr. M5x20 DIN7991A4 | 2 |
| 24 | 6205 133 | Finishing washer 5.3 SN 213912 | 2 |
| 25 | 6200 334 | Console with battery cover | 1 |
| 26 | 0017 124 | Washer 10,5-DIN 125A | 4 |
| 27 | 0016 316 | Nut M10-DIN 985 CL.8 | 4 |
| 28 | 0016 310 | Nut M5 DIN 985 KL8 | 16 |
| 29 | 0017 287 | Nut M5-DIN 9021 B | 6 |
| 30 | 6205 019 | Foot support | 1 |
| 31 | 6205 420 | Tension spring | 2 |
| 32 | 6200 320 | battery box | 1 |
| 33 | 6205 568 | Washer 8.4-DIN 9021 B | 2 |
| 34 | 0010 402 | Hex screw M8x20-DIN 933 8.8 | 2 |
| 36 | 0017 287 | Washer 5,3-DIN 9021B | 6 |

Trac OHV 6, Series B, body assembly - fender / seat

| Ref. No. | Part No. | Description | Pieces |
|----------|----------|-------------------------|--------|
| 37 | 0013 631 | Screw M5x16-DIN 603 6.8 | 6 |
| 38 | 6205 307 | cap, black | 2 |
| 39 | 6205 329 | Rubber boot 10,5 | 2 |
| 40 | 6205 327 | Rubber boot 5,3 | 8 |
| 41 | 6205 330 | Rubber boot 11,5 | 2 |
| 42 | 0017 120 | Washer 5,3-DIN 125 A | 2 |
| 43 | 0012 955 | Screw M5x16-DIN 965A | 2 |

- Ⓓ Trac OHV 6 6200 000, Serie B, Motorhaube
- ⒼⒷ Trac OHV 6 6200 000, Series B, body assembly hood



Trac OHV 6, Serie B, Motorhaube

| Bild-Nr. | Best.-Nr. | Bezeichnung | Menge |
|----------|-----------|---|-------|
| 61 | 6200 516 | Stossstange | 1 |
| 62 | 6200 346 | Motorhaube | 1 |
| 63 | 6205 159 | Buchse 23x2 KD5 | 1 |
| 64 | 6200 532 | Tankhalterung | 1 |
| 67 | 6200 134 | Schraube M5x16-DIN 966A 4.8 | 2 |
| 68 | 6205 570 | Spannstift 6x45-DIN 7346 | 1 |
| 69 | 6205 300 | Lenkrad | 1 |
| 70 | 0012 955 | S.Schr. m. Kreuzschl.M5x16-DIN 965A 4.8 | 4 |
| 71 | 6205 583 | Schlitzschraube M4x14-DIN 84A 8.8 | 1 |
| 72 | 6205 302 | Drosselknopf, schwarz | 1 |
| 73 | 0016 309 | Mutter, selbsts. M4-DIN 985 CL.8 | 1 |
| 74 | 0016 310 | Mutter M5 DIN 985 CL.8 | 6 |
| 75 | 6200 052 | Drosselhebel, kpl. | 1 |
| 76 | 6205 466 | Stützblech | 1 |
| 77 | 6200 344 | Armaturentafel, schwarz | 1 |
| 81 | 0010 126 | Sechskantschraube M5x20-DIN 933 8.8 | 6 |
| 82 | 0017 287 | Scheibe 5,3-DIN 9021B | 6 |
| 83 | 0010 402 | 6kt.-Schraube M8x20-DIN 933 8.8 | 4 |
| 84 | 6205 568 | Scheibe 8,4-DIN 9021B | 4 |
| 85 | 0017 909 | Federring 8-DIN 127 B | 4 |
| 86 | 6205 467 | Sicherungselement | 1 |
| 87 | 6205 423 | Zugfeder | 1 |
| 89 | 6205 490 | Hitzeblech | 1 |
| 90 | 0015 821 | Bohrschraube 4,2x13-DIN 7504K Ecodrill | 3 |
| 93 | 6205 303 | Kappe, schwarz GL 50x1-2,5 | 2 |
| 94 | 6205 567 | Scheibe 6,4-DIN 9021 B | 2 |

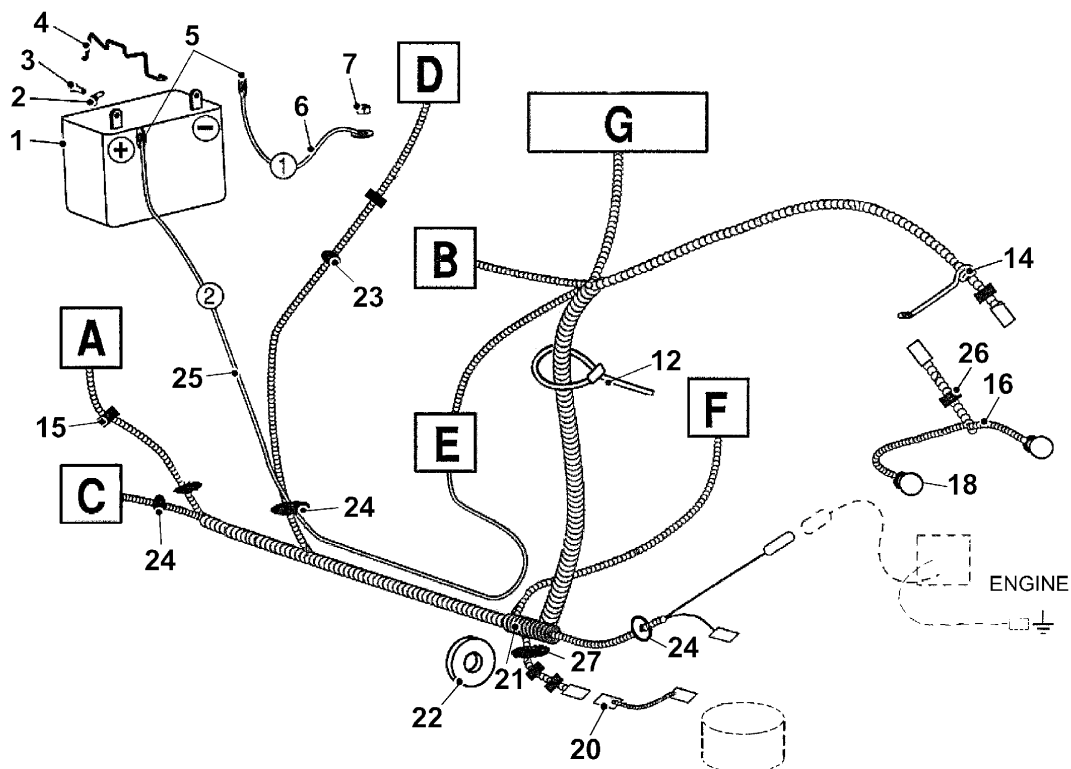
englisch: see next page

Trac OHV 6, Series B, body assembly hood

| Ref. No. | Part No. | Description | Pieces |
|----------|----------|---|--------|
| 61 | 6200 516 | Bumper | 1 |
| 62 | 6200 346 | Hood | 1 |
| 63 | 6205 159 | Bushing 22x2 | 1 |
| 64 | 6200 532 | Fuel tank holder | 1 |
| 67 | 6200 134 | Screw M5x16-DIN 966A 4.8 | 2 |
| 68 | 6205 570 | Spring pin 6x45 DIN 7346 | 1 |
| 69 | 6205 300 | Steering wheel, 14 640 CZ | 1 |
| 70 | 0012 955 | Flat head screw M5x16 DIN 965 A 4.8 | 4 |
| 71 | 6205 583 | Head-slotted screw M4x14 DIN 84 A 8.8 | 1 |
| 72 | 6205 302 | Throttle knob - black | 1 |
| 73 | 0016 309 | Self locking nut M4 DIN 985 Cl.8 | 1 |
| 74 | 0016 310 | Nut M5 DIN 985 KL8 | 6 |
| 75 | 6200 052 | Throttle lever assy 25-1105 | 1 |
| 76 | 6205 466 | Brace | 1 |
| 77 | 6200 344 | Dash panel - black | 1 |
| 81 | 0010 126 | Hex screw M5x20 DIN 933 8.8 | 6 |
| 82 | 0017 287 | Flat washer 5.3 DIN 9021 B | 6 |
| 83 | 0010 402 | Hex screw M8 x 20 DIN 933 8.8 | 4 |
| 84 | 6205 568 | Flat washer 8.4 DIN 9021 B | 4 |
| 85 | 0017 909 | Spring washer 8-DIN 127 B | 4 |
| 86 | 6205 467 | Safety bar | 1 |
| 87 | 6205 423 | Hood spring | 1 |
| 89 | 6205 490 | Heat shield | 1 |
| 90 | 0015 821 | Self drilling screw 4.2x12 ECO DIN 7504 K | 3 |
| 93 | 6205 303 | Hub cap GL 50x1-2.5 - black | 2 |
| 94 | 6205 567 | Washer 6,4-DIN 9021 B | 2 |

NR:6200 000 Bezeichnung: Trac OHV 6 Gruppe: AufsitzmÄrher Jahr: 03 Typ: B

- Ⓓ Trac OHV 6 6200 000, Serie B, Kabelbaum komplett
- ⒼⒷ Trac OHV 6 6200 000, Series B, wiring harness compl.



Trac OHV 6, Serie B, Kabelbaum komplett

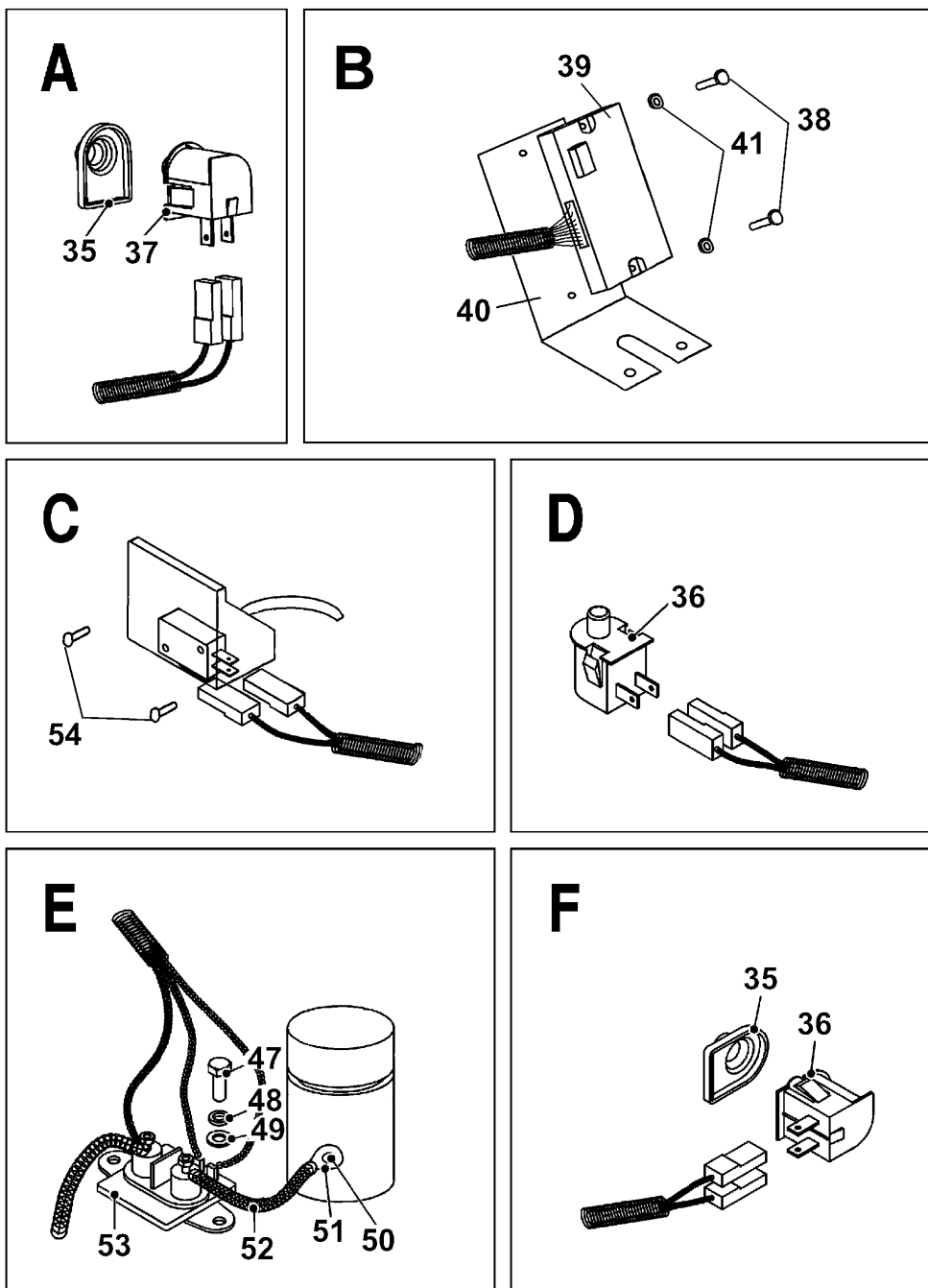
| Bild-Nr. | Best.-Nr. | Bezeichnung | Menge |
|----------|-----------|----------------------------------|-------|
| 1 | 6205 060 | Batterie 12V-22Ah | 1 |
| 2 | 6205 321 | Flügelmutter 1/4-20 | 2 |
| 3 | 6205 451 | Schraube 1/4-20x3/4 LG | 2 |
| 4 | 6205 454 | Batterieklemme | 1 |
| 5 | 6205 318 | Gummimanschette | 2 |
| 6 | 6205 452 | Batteriekabel (-) | 1 |
| 7 | 0016 312 | Mutter, selbsts. M8-DIN 985 CL.8 | 1 |
| 12 | 6205 304 | Kabelbinder RT360 | 3 |
| 14 | 6205 115 | Kabelbaumhalter | 1 |
| 15 | 6205 147 | Klammer 1903-00 F/A | 6 |
| 16 | 6200 061 | Kabelbaum, Licht | 1 |
| 18 | 6205 148 | Glühbirne R10W-12V-BA15S | 2 |
| 20 | 6205 062 | Kabelbaum, Kupplung (mit Diode) | 1 |
| 21 | 6200 065 | Hauptkabelbaum HYDRO-01 | 1 |
| 22 | 6205 322 | Kappe für Kabelbaum | 1 |
| 23 | 6205 156 | Buchse 9x1,5 KD 712 | 1 |
| 24 | 6205 174 | Buchse 16x2 KD 7 | 3 |
| 25 | 6205 453 | Batteriekabel (+) | 1 |
| 26 | 6205 319 | Nylonclip, anhaftend | 2 |
| 27 | 6205 159 | Buchse 23x2 KD 5 | 1 |

english: see next page

Trac OHV 6, Series B, wiring harness compl.

| Ref. No. | Part No. | Description | Pieces |
|----------|----------|----------------------------------|--------|
| 1 | 6205 060 | Battery 12V-22Ah - wet | 1 |
| 2 | 6205 321 | Plasic wing nut 1/4 - 20 | 2 |
| 3 | 6205 451 | Battery screw 1/4-20x3/4 LG | 2 |
| 4 | 6205 454 | Battery clamp | 1 |
| 5 | 6205 318 | Rubber boot | 2 |
| 6 | 6205 452 | Battery cable (-) | 1 |
| 7 | 0016 312 | Self locking nut M8 DIN 985 Cl.8 | 1 |
| 12 | 6205 304 | Cable ties RT360 | 3 |
| 14 | 6205 115 | Wiring harness holder | 1 |
| 15 | 6205 147 | Clip - snap in 1903-00 F/A | 6 |
| 16 | 6200 061 | Light wiring harness | 1 |
| 18 | 6205 148 | Light bulb R21W 12V BA15s | 2 |
| 20 | 6205 062 | Clutch harness with diode | 1 |
| 21 | 6200 065 | Main wiring harness 3 WN 195 65 | 1 |
| 22 | 6205 322 | Cap - 15455 - 4539 | 1 |
| 23 | 6205 156 | Bushing 9x1,5 KD 712 | 1 |
| 24 | 6205 174 | Bushing 16x2 KD 7 | 3 |
| 25 | 6205 453 | Battery cable (+) | 1 |
| 26 | 6205 319 | Nylon clips - adhesive | 2 |
| 27 | 6205 159 | Bushing 23x2 KD 5 | 1 |

- (D) Trac OHV 6 6200 000, Serie B, Elektrische Schalter (1)
- (GB) Trac OHV 6 6200 000, Series B, electrical switches (1)



Trac OHV 6, Serie B, Elektrische Schalter (1)

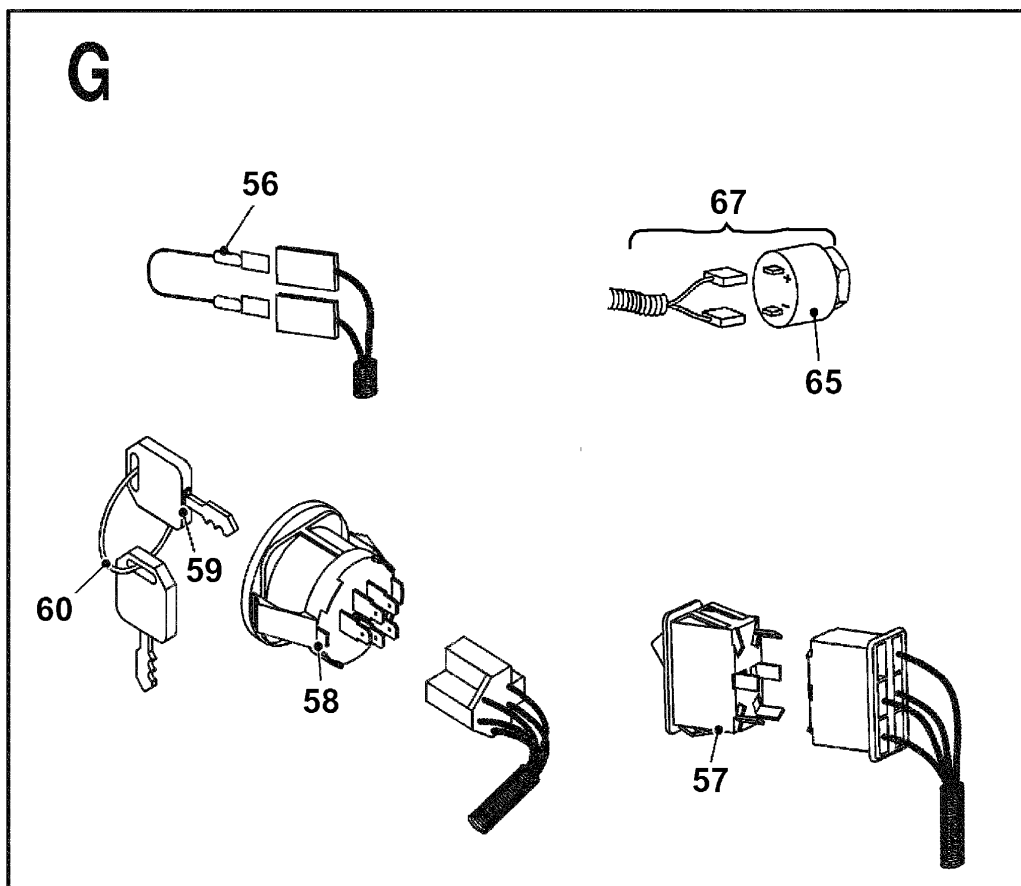
| Bild-Nr. | Best.-Nr. | Bezeichnung | Menge |
|----------|-----------|---------------------------------------|-------|
| 35 | 6205 349 | Schutzdeckel, Schalter | 2 |
| 36 | 6205 055 | Schalter-Delta 6440-04 | 2 |
| 37 | 6200 055 | Schalter-Delta 6440-53 | 1 |
| 38 | 6200 135 | Schraube 2.9x13 DIN 931 8.8 | 2 |
| 39 | 6200 070 | Kontrollmodul HYDRO 01 | 1 |
| 40 | 6200 127 | Halterungsblech Kontrollmodul | 1 |
| 41 | 6200 136 | Scheibe 3 DIN 125 A | 2 |
| 47 | 0010 383 | Schraube M6x12 DIN 933 8.8 | 2 |
| 48 | 0017 908 | Federring 6-DIN 127B | 2 |
| 49 | 0017 121 | Scheibe 6,4 DIN 125A | 2 |
| 50 | 6205 137 | Mutter W 1/4"-20 | 1 |
| 51 | 6205 311 | Gummscheibe | 1 |
| 52 | 6205 491 | Eektrostartkabel | 1 |
| 53 | 6205 149 | Spule 94255/12V-150A | 1 |
| 54 | 0015 821 | Bohrschraube 4,2x13-DIN7504K Ecodrill | 2 |

english: see next page

Trac OHV 6, Series B, electrical switches (1)

| Ref. No. | Part No. | Description | Pieces |
|----------|----------|--------------------------------------|--------|
| 35 | 6205 349 | Protective cover | 2 |
| 36 | 6205 055 | Switch Delta 6440-04 | 2 |
| 37 | 6200 055 | Switch Delta 6440-53 | 1 |
| 38 | 6200 135 | Screw 2.9x13 DIN 931 8.8 | 2 |
| 39 | 6200 070 | Control Modulus HYDRO 01 | 1 |
| 40 | 6200 127 | Holding sheet metal control modulus | 1 |
| 41 | 6200 136 | Washer 3 DIN 125 A | 2 |
| 47 | 0010 383 | Screw M6x12 DIN 933 8.8 | 2 |
| 48 | 0017 908 | Spring washer 6 DIN 127 B | 2 |
| 49 | 0017 121 | Flat washer 6.4 DIN 125A | 2 |
| 50 | 6205 137 | Nut W 1/4" - 20 | 1 |
| 51 | 6205 311 | Rubber boot | 1 |
| 52 | 6205 491 | Electric starter lead (10) | 1 |
| 53 | 6205 149 | Solenoid 94255/12V - 150A | 1 |
| 54 | 0015 821 | Self drill. crew 4.2x12 ECO DIN7504K | 2 |

- Ⓓ Trac OHV 6 6200 000, Serie B, Elektrische Schalter (2)
- ⒼⒷ Trac OHV 6 6200 000, Serie B, electrical switches (2)



Trac OHV 6, Serie B, Elektrische Schalter (2)

| Bild-Nr. | Best.-Nr. | Bezeichnung | Menge |
|----------|-----------|--------------------------------|-------|
| 56 | 6200 451 | Verbindungskabel | 1 |
| 57 | 6205 056 | Wippschalter | 1 |
| 58 | 6200 054 | Zündungsschalter mit Schlüssel | 1 |
| 59 | 6205 514 | Zündschlüssel | 2 |
| 60 | 6205 141 | Ring für Schlüssel | 1 |
| 65 | 6200 511 | Summer | 1 |
| 67 | 6200 071 | Summer kpl. | 1 |

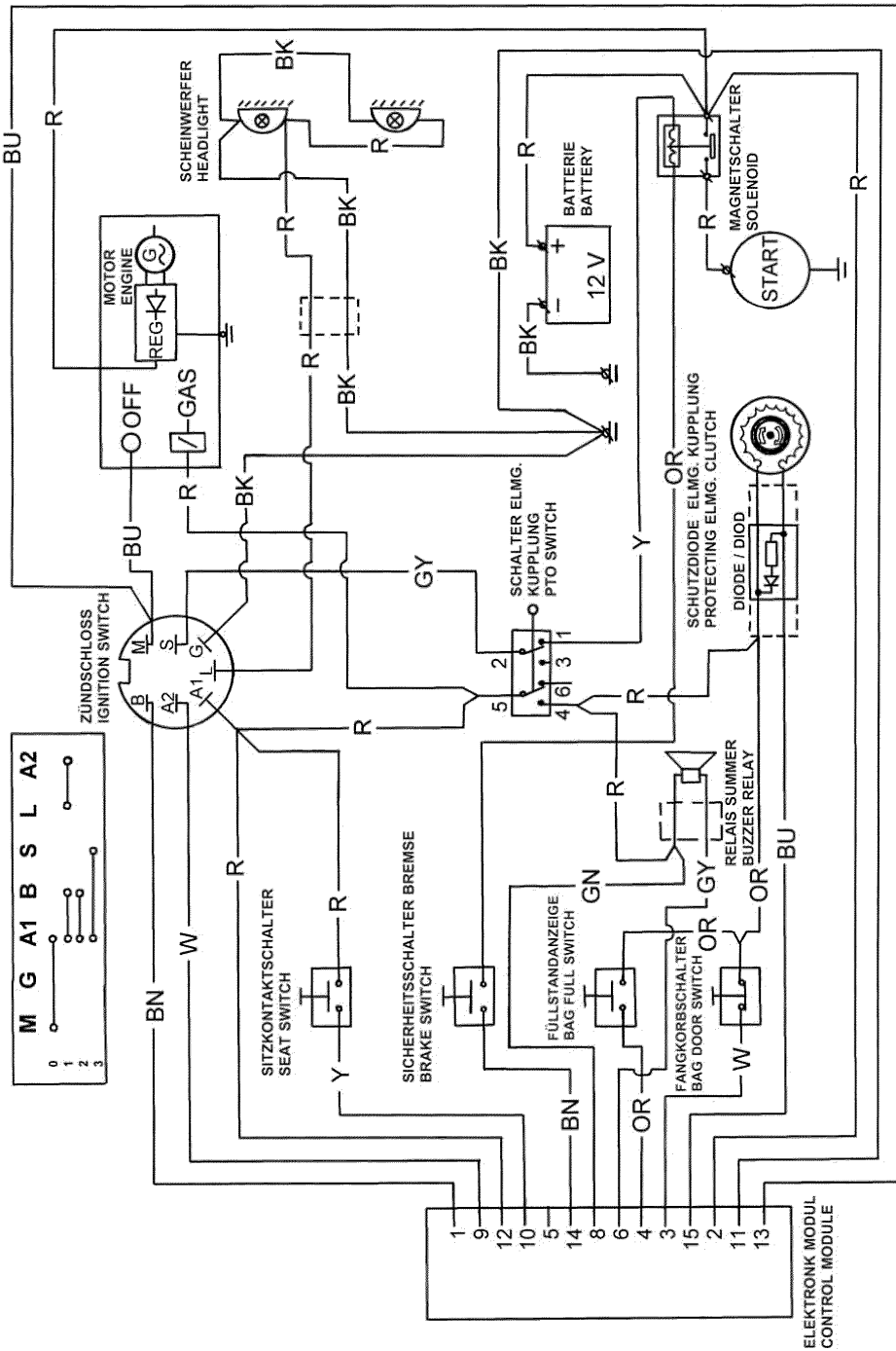
english: see next page

Trac OHV 6, Series B, electrical switches (2)

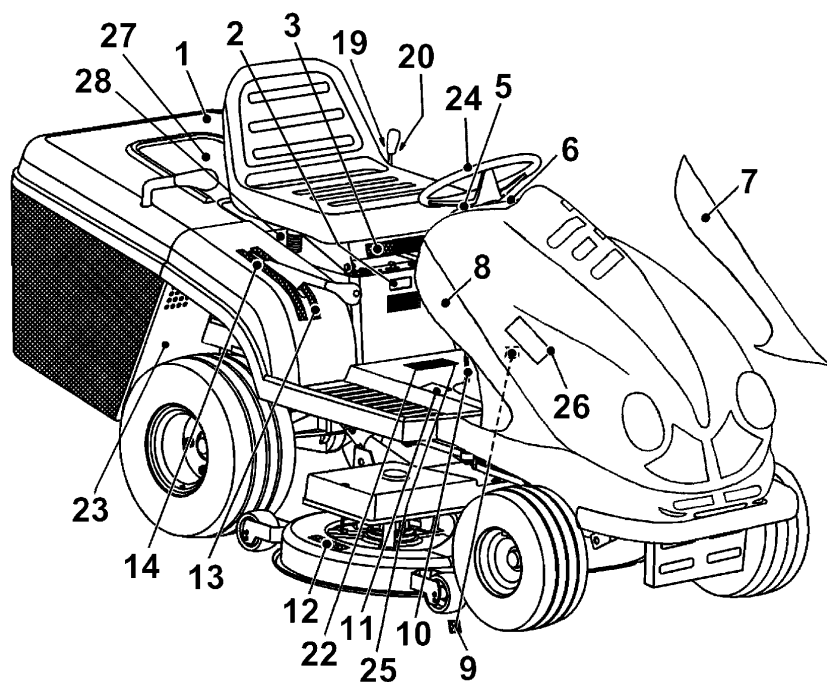
| Ref. No. | Part No. | Description | Pieces |
|----------|----------|--|--------|
| 56 | 6200 451 | Connecting cable | 1 |
| 57 | 6205 056 | Locking rocker switch | 1 |
| 58 | 6200 054 | Ignition switch integral with key | 1 |
| 59 | 6205 514 | Key with moulded cover for integral switch | 2 |
| 60 | 6205 141 | Ring for key | 1 |
| 65 | 6200 511 | Buzzer | 1 |
| 66 | 6200 071 | buzzer compl. | 1 |

NR:6200 000 Bezeichnung: Trac OHV 6 Gruppe: Aufsitzmäher Jahr: 03 Typ: B

- Ⓓ Trac OHV 6 6200 000, Serie B, Schaltplan
- ⒼⒷ Trac OHV 6, 6200 000, Series B, circuit diagram



- Ⓓ Trac OHV 6 6200 000, Serie B, Etiketten
- ⒼⒷ Trac OHV 6 6200 000, Series B, decals / labels



Trac OHV 6, Serie B, Etiketten

| Bild-Nr. | Best.-Nr. | Bezeichnung | Menge |
|----------|-----------|----------------------------------|-------|
| 1 | 6205 205 | Etikett-Dreieck | 1 |
| 2 | 6200 220 | Leistungsschild | 1 |
| 3 | 6205 204 | Etikett-Batterie | 1 |
| 5 | 6200 203 | Etikett-Armatur, rechts | 1 |
| 6 | 6200 204 | Etikett-Armatur, links | 1 |
| 7 | 6200 205 | Etikett-Motorhaube, links | 1 |
| 8 | 6200 206 | Etikett-Motorhaube, rechts | 1 |
| 9 | 6205 209 | Etikett-Bremse | 1 |
| 10 | 6205 208 | Etikett-Info | 1 |
| 11 | 6205 207 | Etikett-Sicherheit, Text | 1 |
| 12 | 6205 203 | Etikett-Sicherheit, Mähwerk | 2 |
| 13 | 6205 210 | Etikett-Höheneinstellung, links | 1 |
| 14 | 6205 211 | Etikett-Höheneinstellung, rechts | 1 |
| 19 | 6200 217 | Etikett-Schaltung, rechts | 1 |
| 20 | 6200 218 | Etikett-Schaltung, links | 1 |
| 22 | 6205 217 | Etikett-Boden | 1 |
| 23 | 6205 222 | Etikett-Heckblech | 1 |
| 24 | 6205 214 | Etikett-Lenkrad | 1 |
| 25 | 6200 216 | Etikett-Barcode | 1 |
| 26 | 6200 209 | Etikett-Trac | 2 |
| 27 | 6205 213 | Etikett-Fangsack | 1 |
| 28 | 6200 219 | Etikett-Schalleistungspegel | 1 |

english: see next page