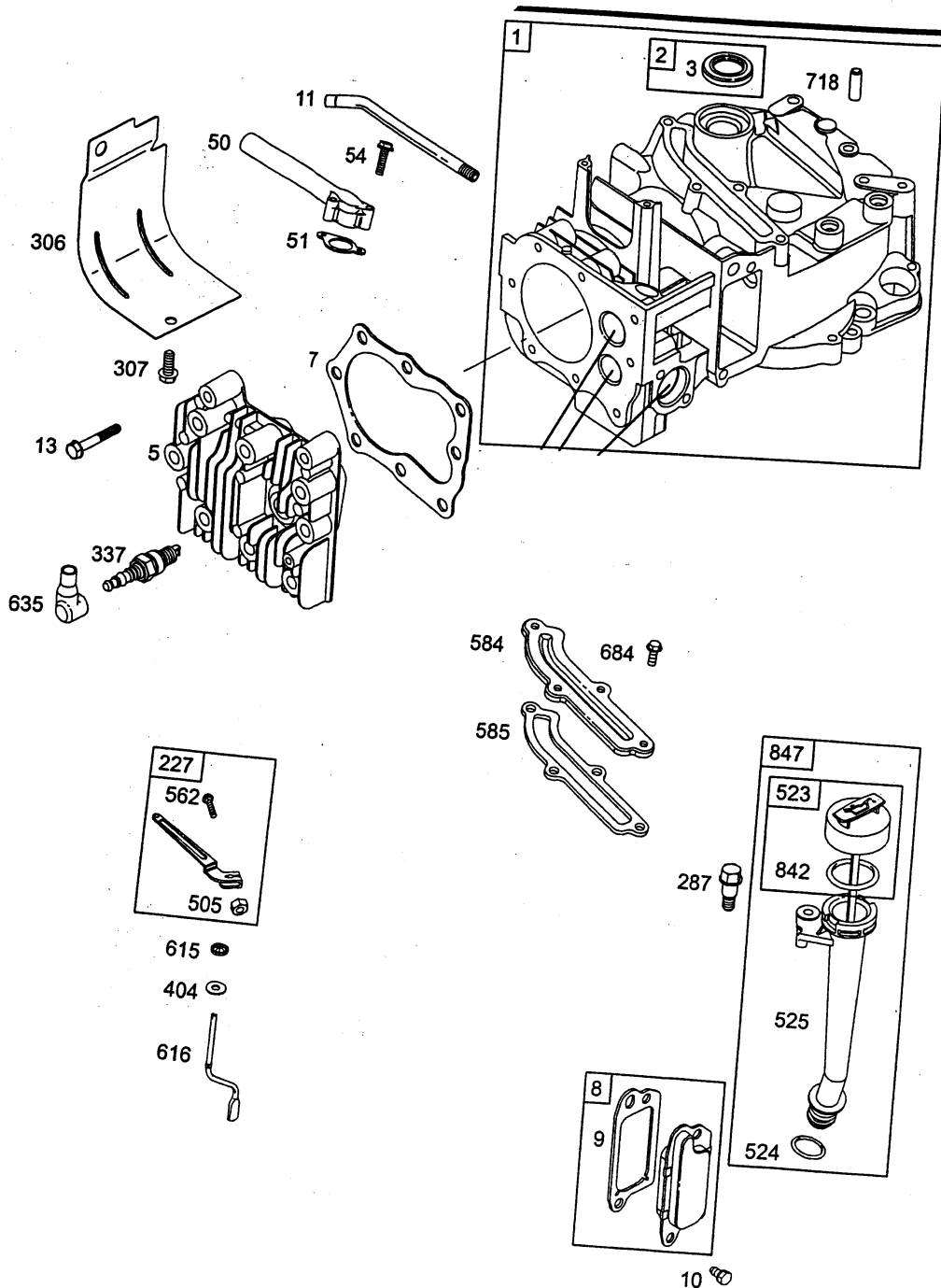


**Quantum 55 X-ES Kurbelgehäuse**  
**Quantum 55 X-ES cylinder assembly**



## Quantum 55 X-ES Kurbelgehäuse

| Bild-Nr. | Best.-Nr. | Bezeichnung                    | Best.-Nr.<br>B & S |
|----------|-----------|--------------------------------|--------------------|
| 1        | 2058 100  | Zylinder                       | 493260             |
| 2        | 1034 101  | Lagerbuchse                    | 293708             |
| 3        | 2057 352  | Simmerring                     | 299819             |
| 5        | 2069 150  | Zylinderkopf                   | 214626             |
| 7        | 2063 103  | Zylinderkopfdichtung           | 272200             |
| 8        | 2059 300  | Dichtungsventil kpl.           | 495786             |
| 9        | 2058 301  | Dichtung (Ventilationsöffnung) | 272481             |
| 10       | 2057 137  | Schraube                       | 94955              |
| 11       | 2063 310  | Entlüftungsrohr                | 231685             |
| 13       | 2063 108  | Schraube                       | 94547              |
| 50       | 2069 168  | Verteilereinlaß                | 497465             |
| 51       | 2063 207  | Eingangsdichtung               | 272199             |
| 54       | 2063 208  | Schraube                       | 94526              |
| 227      | 2063 054  | Fliehkrafthebel kpl.           | 492349             |
| 287      | 2063 316  | Schraube                       | 94511              |
| 306      | 2063 119  | Zylinderschutzschild           | 224324             |
| 307      | 2063 120  | Schraube                       | 94515              |
| 337      | 2058 305  | Zündkerze                      | 802592             |
| 404      | 2063 303  | Scheibe                        | 690272             |
| 505      | 2063 304  | Mutter                         | 691251             |
| 523      | 2059 206  | Ölmeßstab                      | 495264             |
| 524      | 2056 175  | O-Ring                         | 692296             |
| 525      | 2063 212  | Öleinfüllrohr                  | 495265             |
| 562      | 2069 139  | Schraube                       | 94852              |
| 584      | 2063 122  | Entlüfterdeckel                | 224328             |
| 585      | 2063 209  | Dichtung                       | 272238             |
| 615      | 2063 125  | Halter                         | 94474              |
| 616      | 2057 163  | Drehhebel (Kurbelantrieb)      | 263175             |
| 635      | 1034 435  | Zündkerzenstecker              | 66538              |
| 684      | 2063 319  | Schraube                       | 690345             |
| 718      | 2063 320  | Stift                          | 690959             |
| 842      | 1034 439  | O-Ring                         | 691031             |
| 847      | 2059 058  | Öleinfüllrohr kpl.             | 495263             |

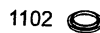
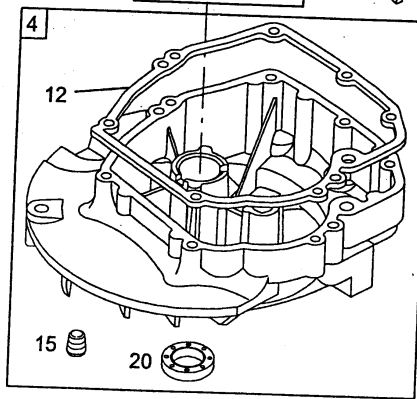
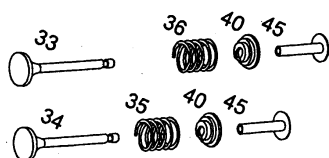
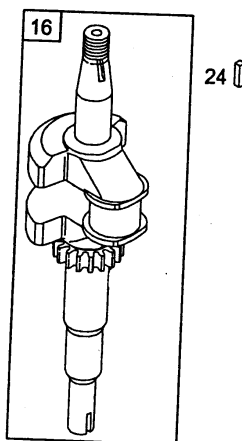
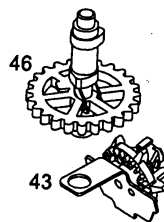
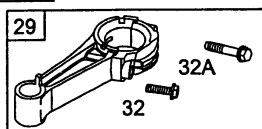
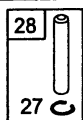
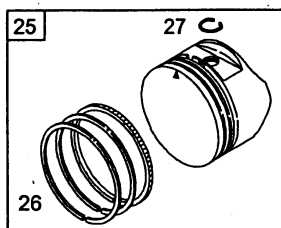
english: see next page

## Quantum 55 X-ES Cylinder assembly

| Ref. No. | Part No. | Description               | Part No.<br>B & S |
|----------|----------|---------------------------|-------------------|
| 1        | 2058 100 | cylinder assembly         | 493260            |
| 2        | 1034 101 | kit - bushing/seal        | 293708            |
| 3        | 2057 352 | seal - oil                | 299819            |
| 5        | 2069 150 | head - cylinder           | 214626            |
| 7        | 2063 103 | gasket - cylinder head    | 272200            |
| 8        | 2059 300 | breather assembly         | 495786            |
| 9        | 2058 301 | gasket - breather         | 272481            |
| 10       | 2057 137 | screw                     | 94955             |
| 11       | 2063 310 | tube - breather           | 231685            |
| 13       | 2063 108 | screw                     | 94547             |
| 50       | 2069 168 | manifold - intake         | 497465            |
| 51       | 2063 207 | gasket - intake           | 272199            |
| 54       | 2063 208 | screw                     | 94526             |
| 227      | 2063 054 | lever - governor control  | 492349            |
| 287      | 2063 316 | screw                     | 94511             |
| 306      | 2063 119 | shield - cylinder         | 224324            |
| 307      | 2063 120 | screw                     | 94515             |
| 337      | 2058 305 | spark plug                | 802592            |
| 404      | 2063 303 | washer                    | 690272            |
| 505      | 2063 304 | nut                       | 691251            |
| 523      | 2059 206 | dipstick                  | 495264            |
| 524      | 2056 175 | o-ring                    | 692296            |
| 525      | 2063 212 | tube - dipstick           | 495265            |
| 562      | 2069 139 | screw                     | 94852             |
| 584      | 2063 122 | cover - breather passage  | 224328            |
| 585      | 2063 209 | gasket - breather passage | 272238            |
| 615      | 2063 125 | retainer - governor shaft | 94474             |
| 616      | 2057 163 | crank - governor          | 263175            |
| 635      | 1034 435 | boot - spark plug         | 66538             |
| 684      | 2063 319 | screw                     | 690345            |
| 718      | 2063 320 | pin-locating              | 690959            |
| 842      | 1034 439 | o-ring                    | 691031            |
| 847      | 2059 058 | dipstick / tube assembly  | 495263            |

NR:2076 060 Bezeichnung: Quantum 55 X-ES Gruppe: Briggs & Stratton Quantum 55 X-ES Jahr: 03 Typ:

Quantum 55 X-ES Kolben, Ventile, Kurbelwelle, Ölwanne  
 Quantum 55 X-ES piston group, valve group, crankschaft, sump bases

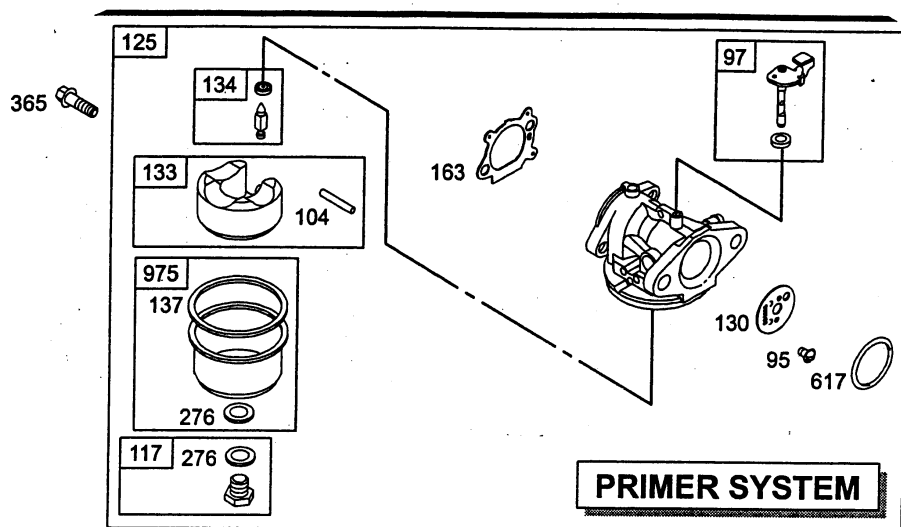


**Quantum 55 X-ES Kolben, Ventile, Kurbelwelle,  
Ölwanne**

**Quantum 55 X-ES Piston group, Valve group,  
Crankshaft, Sump bases**

| Bild-Nr. /<br>Ref. No. | Best.-Nr. /<br>Part No. | Bezeichnung      | Description          | Part No.<br>B & S |
|------------------------|-------------------------|------------------|----------------------|-------------------|
| 4                      | 2069 196                | Ölwanne          | sump-engine          | 696294            |
| 12                     | 2063 107                | Dichtung         | gasket-crankcase     | 272198            |
| 15                     | 2069 143                | Ölablaßschraube  | plug-oil drain       | 94880             |
| 16                     | 2056 187                | Kurbelwelle      | crankshaft           | 691452            |
| 20                     | 2063 112                | Simmerring       | seal-oil             | 399781            |
| 22                     | 2063 113                | Schraube         | screw                | 94220             |
| 24                     | 2057 130                | Schwungradkeil   | feather key          | 222698            |
| 25                     | 2069 032                | Kolben kpl.      | piston assembly      | 499429            |
| 26                     | 2069 031                | Ringset          | ring set             | 499425            |
| 27                     | 2057 164                | Sicherung        | lock - piston pin    | 263190            |
| 28                     | 2057 195                | Bolzen           | pin - piston         | 499423            |
| 29                     | 2057 196                | Pleuelstange     | rod - connecting     | 499424            |
| 32                     | 2059 115                | Schraube         | screw                | 94699             |
| 32A                    | 2059 114                | Schraube         | screw                | 695759            |
| 33                     | 2063 201                | Auslaßventil     | valve - exhaust      | 262651            |
| 34                     | 2063 202                | Einlaßventil     | valve - intake       | 262652            |
| 35                     | 2063 203                | Ventilfeder      | spring - valve       | 262224            |
| 36                     | 2063 220                | Ventilfeder      | spring - valve       | 691270            |
| 40                     | 1034 217                | Ventilhalter     | retainer - valve     | 93312             |
| 43                     | 2063 206                | Regler           | slinger-governor oil | 493737            |
| 45                     | 2063 204                | Ventilstößel     | tappet-valve         | 262204            |
| 46                     | 2069 172                | Nockenwelle      | camshaft             | 498275            |
| 357                    | 2069 198                | Keil-Kurbelwelle | key                  | 695867            |
| 1102                   | 2057 118                | Ring             | pilot-guide          | 232047            |

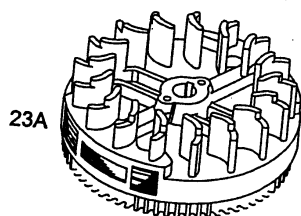
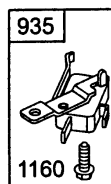
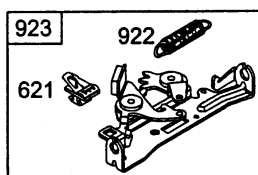
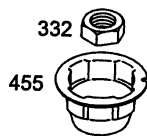
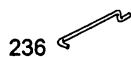
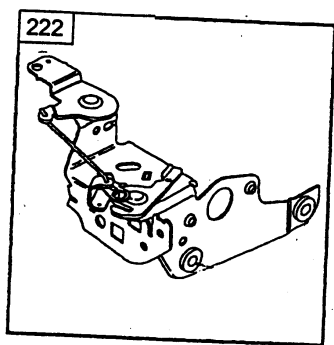
**Quantum 55 X-ES Vergaser (Primer System)**  
**Quantum 55 X-ES carburetor (primer system)**



**Quantum 55 X-ES Vergaser (Primer System)  
Quantum 55 X-ES Carburetor (Primer system)**

| Bild-Nr. /<br>Ref. No. | Best.-Nr. /<br>Part No. | Bezeichnung           | Description            | Part No.<br>B & S |
|------------------------|-------------------------|-----------------------|------------------------|-------------------|
| 95                     | 2057 128                | Schraube              | screw (throttle valve) | 94098             |
| 97                     | 2057 103                | Drosselklappenschaft  | shaft-throttle         | 696565            |
| 104                    | 2057 120                | Stift                 | pin - float hinge      | 231371            |
| 117                    | 2057 180                | Hauptdüse - Dichtung  | jet - main             | 494870            |
| 125                    | 2069 025                | Vergaser kpl.         | carburetor compl.      | 498170            |
| 130                    | 2057 123                | Drosselklappe         | valve - throttle       | 224908            |
| 133                    | 2003 410                | Schwimmer             | float - carburetor     | 398187            |
| 134                    | 2003 411                | Schwimmernadelventil  | kit - needle/seal      | 398188            |
| 137                    | 2069 316                | Dicht.-Schwimmerkappe | gasket - float bowl    | 693981            |
| 276                    | 2059 202                | Dichtung              | washer-sealing         | 271716            |
| 365                    | 2069 323                | Schraube              | screw                  | 692524            |
| 617                    | 1034 428                | Dichtung              | seal - o ring          | 270344            |
| 975                    | 2058 409                | Schwimmerkappe        | bowl - float           | 493640            |

**Quantum 55 X-ES Regelung, Polrad, Bremse**  
**Quantum 55 X-ES control, flywheel, brake**



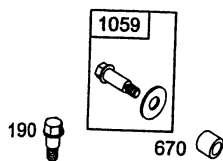
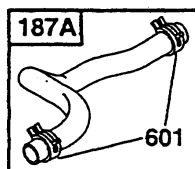
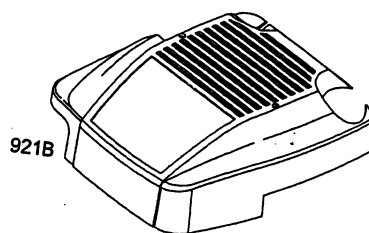
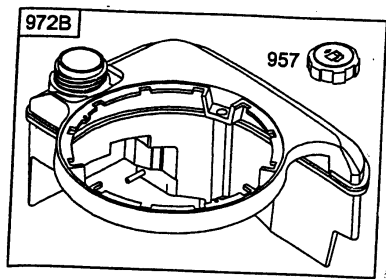


**Quantum 55 X-ES Regelung, Polrad, Bremse**  
**Quantum 55 X-ES Control, Flywheel, Brake**

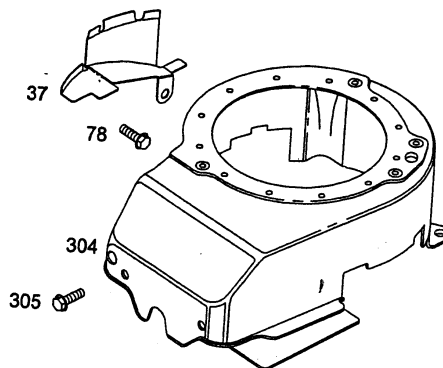
| Bild-Nr. /<br>Ref. No. | Best.-Nr. /<br>Part No. | Bezeichnung      | Description       | Part No.<br>B & S |
|------------------------|-------------------------|------------------|-------------------|-------------------|
| 23                     | 2069 192                | Schwungrad       | flywheel          | 691987            |
| 202                    | 2063 311                | Gestänge/Gelenk  | link - mechanical | 691829            |
| 209                    | 2063 335                | Reglerfeder      | spring - governor | 691852            |
| 222                    | 2069 020                | Vergasermechanik | bracket - control | 497203            |
| 236                    | 2063 134                | Gestänge         | link - lockout    | 691826            |
| 332                    | 2069 132                | Mutter           | nut               | 92284             |
| 455                    | 2057 306                | Starterschale    | cup-flywheel      | 19069             |
| 621                    | 2063 129                | Ausschalter      | switch-stop       | 396847            |
| 745                    | 2063 117                | Schraube         | screw             | 94512             |
| 922                    | 2063 307                | Feder            | spring-brake      | 262640            |
| 923                    | 2063 130                | Bremse kpl.      | brake compl.      | 493442            |
| 935                    | 2057 052                | Schalter         | switch-interlock  | 499421            |
| 1160                   | 2057 102                | Schraube         | screw             | 93758             |

NR:2076 060 Bezeichnung: Quantum 55 X-ES Gruppe: Briggs & Stratton Quantum 55 X-ES Jahr: 03 Typ:

**Quantum 55 X-ES Haube, Tank, Lüfterhaube**  
**Quantum 55 X-ES covering cap, fuel tank, blower housing**



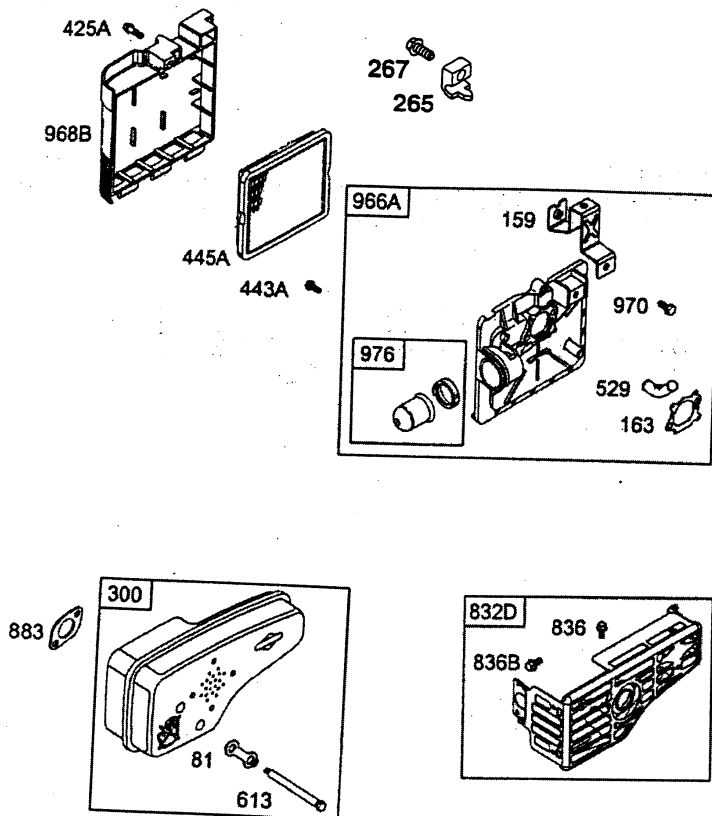
188



**Quantum 55 X-ES Haube, Tank, Lüfterhaube**  
**Quantum 55 X-ES Cover, Fuel tank, Blower housing**

| Bild-Nr. /<br>Ref. No. | Best.-Nr. /<br>Part No. | Bezeichnung          | Description        | Part No.<br>B & S |
|------------------------|-------------------------|----------------------|--------------------|-------------------|
| 37                     | 2058 306                | Schutzblech          | guard-flywheel     | 224511            |
| 78                     | 2058 104                | Schraube             | screw              | 691108            |
| 187                    | 2063 065                | Benzinleitung        | line-fuel/molded   | 696292            |
| 188                    | 2058 311                | Schraube             | screw              | 690877            |
| 190                    | 2058 312                | Schraube             | srew               | 690940            |
| 304                    | 2058 107                | Lüftergehäuse        | housing-blower     | 696298            |
| 305                    | 2057 106                | Schraube             | srew               | 94744             |
| 564                    | 2059 218                | Schraube             | srew               | 690664            |
| 601                    | 1036 517                | Klemme               | clamp - hose       | 93053             |
| 670                    | 2057 166                | Hülse                | spacer - fuel tank | 280512            |
| 957                    | 2064 501                | Tankdeckel           | cap-fuel tank      | 397974            |
| 972B                   | 2059 510                | Tank                 | fuel tank          | 495224            |
| 1059                   | 2059 203                | Schraube mit Scheibe | kit-screw washer   | 696293            |

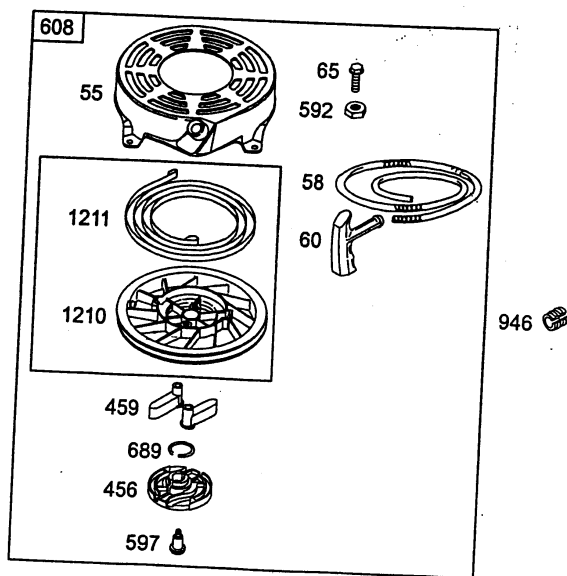
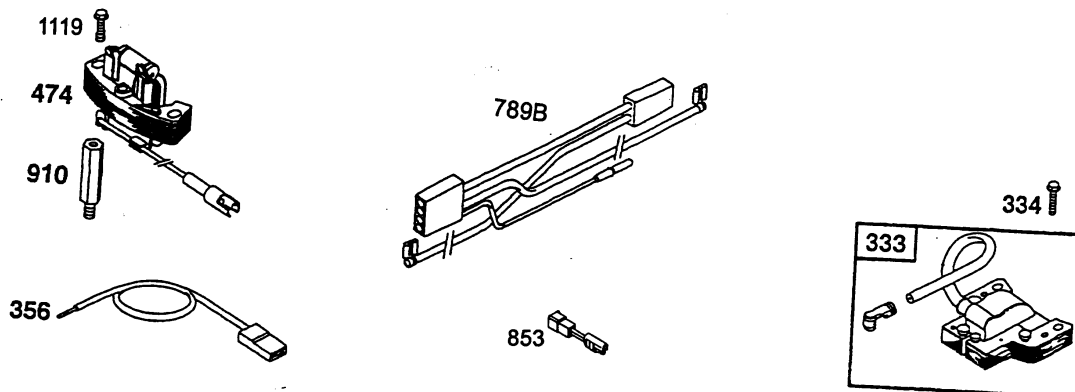
**Quantum 55 X-ES Luftfilter, Schalldämpfer**  
**Quantum 55 X-ES air cleaner, muffler**



**Quantum 55 X-ES Luftfilter, Schalldämpfer**  
**Quantum 55 X-ES Air cleaner, Muffler**

| Bild-Nr. /<br>Ref. No. | Best.-Nr. /<br>Part No. | Bezeichnung            | Description              | Part No.<br>B & S |
|------------------------|-------------------------|------------------------|--------------------------|-------------------|
| 81                     | 2063 501                | Sicherung              | lock - muffler screw     | 223664            |
| 159                    | 2063 503                | Lasche                 | bracket - air            | 691753            |
| 163                    | 2059 220                | Dichtung               | gasket - air cleaner     | 272653            |
| 265                    | 2063 312                | Klammer                | clamp                    | 213146            |
| 267                    | 2059 304                | Schraube               | screw                    | 94694             |
| 425A                   | 2059 216                | Schraube               | screw                    | 690670            |
| 443A                   | 2059 217                | Schraube               | screw                    | 692523            |
| 445A                   | 2058 411                | Filtereinsatz          | filter-air cleaner       | 491588            |
| 300                    | 2069 019                | Schalldämpfer          | muffler without catalyst | 496106            |
| 529                    | 2059 409                | Lüfterschlauch         | grommet                  | 281299            |
| 613                    | 2063 124                | Schraube               | screw (muffler)          | 94231             |
| 832D                   | 2069 176                | Berührungsschutz       | guard - muffler          | 499034            |
| 836                    | 2059 218                | Schraube               | screw                    | 690664            |
| 836B                   | 1001 153                | Schraube               | screw                    | 690661            |
| 883                    | 2059 501                | Auspuffdichtung        | gasket - exhaust         | 272253            |
| 966A                   | 2059 405                | Luftfiltergehäuse kpl. | base-air cleaner primer  | 496116            |
| 968B                   | 2059 219                | Deckel                 | cover - air cleaner      | 692298            |
| 970                    | 2059 213                | Schraube               | screw                    | 691669            |
| 976                    | 2057 181                | Primer                 | primer                   | 496115            |

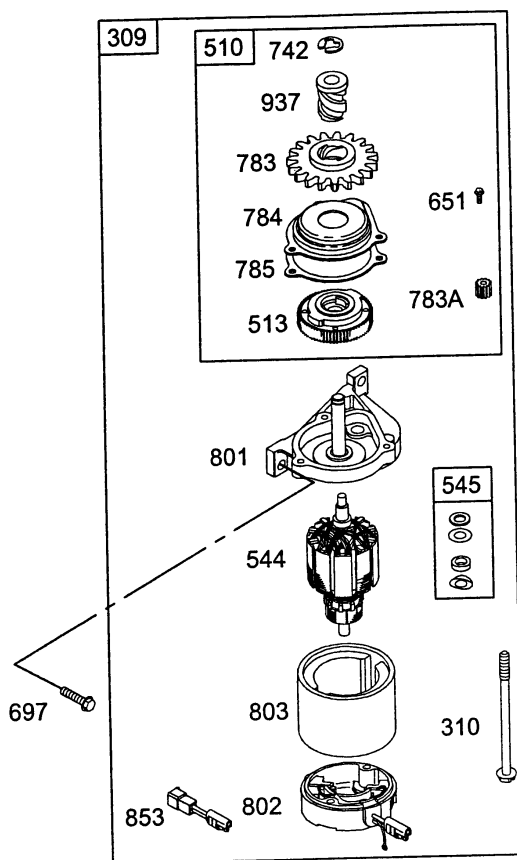
**Quantum 55 X-ES Zündanlage, Starter**  
**Quantum 55 X-ES electrical, rewind - starter**



**Quantum 55 X-ES Zündanlage, Starter**  
**Quantum 55 X-ES Electrical, Rewind - starter**

| Bild-Nr. /<br>Ref. No. | Best.-Nr. /<br>Part No. | Bezeichnung     | Description              | Part No.<br>B & S |
|------------------------|-------------------------|-----------------|--------------------------|-------------------|
| 55                     | 2069 121                | Startergehäuse  | housing - rewind starter | 497440            |
| 58                     | 2063 604                | Starterseil     | rope - starter           | 280399            |
| 60                     | 2069 300                | Startergriff    | grip - starter rope      | 281434            |
| 65                     | 2069 324                | Schraube        | screw                    | 690837            |
| 333                    | 2063 056                | Zündspule       | armature-magneto         | 802574            |
| 334                    | 2059 306                | Schraube        | screw                    | 94731             |
| 356                    | 2059 317                | Kurzschlußkabel | wire-stop                | 692390            |
| 456                    | 2069 301                | Federhalter     | plate - pawl friction    | 281503            |
| 459                    | 2069 302                | Klinke          | pawl - ratchet           | 281505            |
| 474                    | 2069 118                | Lichtspule      | alternator               | 492841            |
| 592                    | 2069 325                | Mutter          | nut                      | 690800            |
| 597                    | 2069 124                | Schraube        | screw                    | 94943             |
| 608                    | 2069 012                | Starter kpl.    | starter - rewind compl.  | 497680            |
| 689                    | 2069 125                | Sprungfeder     | spring - friction        | 263073            |
| 789B                   | 2057 105                | Kabelbaum       | cable form               | 696547            |
| 853                    | 2069 058                | Adapter-3 polig | adapter-3 polig          | 696379            |
| 910                    | 2069 117                | Zwischenstück   | stud-alternator          | 94510             |
| 946                    | 2063 612                | Seilklemme      | stop - rope              | 223294            |
| 1119                   | 2063 117                | Schraube        | screw                    | 94512             |
| 1210                   | 2069 122                | Seilscheibe     | pulley                   | 281504            |
| 1211                   | 2069 123                | Starterfeder    | spring                   | 263074            |

**Quantum 55 X-ES Elektrischer Anlasser**  
**Quantum 55 X-ES motor - starter**



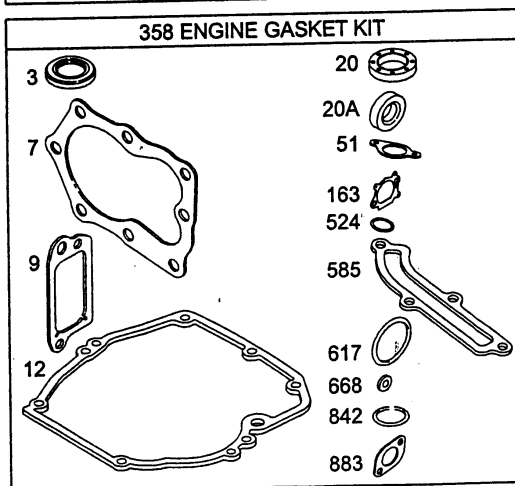
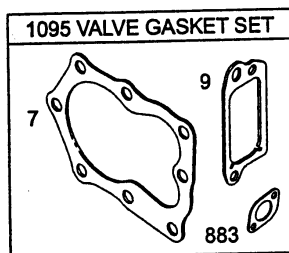
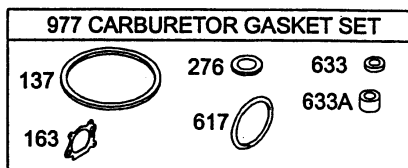
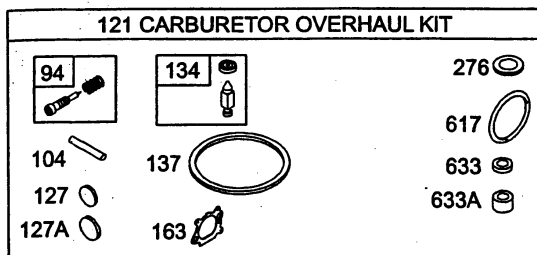


**Quantum 55 X-ES Elektrischer Anlasser**  
**Quantum 55 X-ES Motor - starter**

| <b>Bild-Nr. /<br/>Ref. No.</b> | <b>Best.-Nr. /<br/>Part No.</b> | <b>Bezeichnung</b> | <b>Description</b>     | <b>Part No.<br/>B &amp; S</b> |
|--------------------------------|---------------------------------|--------------------|------------------------|-------------------------------|
| 309                            | 2069 010                        | Anlasser kpl.      | motor - starter compl. | 494233                        |
| 310                            | 2069 103                        | 6kt.-Schraube      | hexagon screw          | 94051                         |
| 510                            | 2069 011                        | Startergetriebe    | drive - starter        | 494147                        |
| 513                            | 2069 105                        | Zahnrad            | clutch - drive         | 394815                        |
| 544                            | 2057 177                        | Wicklung           | armature - starter     | 492921                        |
| 545                            | 2069 107                        | Scheibensatz       | washer set             | 492919                        |
| 651                            | 2069 101                        | Schraube           | screw                  | 93490                         |
| 697                            | 2057 111                        | Schraube           | screw                  | 94974                         |
| 742                            | 2069 116                        | Halter             | retainer - e ring      | 93941                         |
| 783                            | 2069 108                        | Zahnrad            | gear - pinion          | 281127                        |
| 783A                           | 2069 109                        | Zahnrad            | gear - pinion          | 261606                        |
| 784                            | 2069 110                        | Getriebedeckel     | cover - starter        | 224262                        |
| 785                            | 2069 111                        | Deckeldichtung     | gasket - starter cover | 272201                        |
| 801                            | 2069 112                        | Motordeckel        | cap - drive            | 492335                        |
| 802                            | 2069 329                        | Motordeckel        | cap - drive            | 695267                        |
| 803                            | 2069 113                        | E.-Startergehäuse  | housing - starter      | 492920                        |
| 853                            | 2069 058                        | Adapter, 3-polig   | adapter, triple-pole   | 696379                        |
| 937                            | 2069 115                        | Schneckenrad       | spline - starter       | 281125                        |

NR:2076 060 Bezeichnung: Quantum 55 X-ES Gruppe: Briggs & Stratton Quantum 55 X-ES Jahr: 03 Typ:

**Quantum 55 X-ES Dichtungssatz**  
**Quantum 55 X-ES gasket set**



**Quantum 55 X-ES Dichtungssatz**  
**Quantum 55 X-ES Gasket set**

| <b>Bild-Nr. /<br/>Ref. No.</b> | <b>Best.-Nr. /<br/>Part No.</b> | <b>Bezeichnung</b>      | <b>Description</b>           | <b>Part No.<br/>B &amp; S</b> |
|--------------------------------|---------------------------------|-------------------------|------------------------------|-------------------------------|
| 3                              | 2057 352                        | Simmerring (oben)       | seal-oil (magneto side)      | 299819                        |
| 7                              | 2063 103                        | Zylinderkopfdichtung    | gasket - cylinder head       | 272916                        |
| 9                              | 2058 301                        | Dichtung-Entlüfter      | gasket - breather            | 272481                        |
| 12                             | 2063 107                        | Dichtung-Ölwanne        | gasket - crankcase           | 272198                        |
| 20                             | 2063 112                        | Simmerring (unten)      | seal - oil (PTO side)        | 399781                        |
| 51                             | 2063 207                        | Dichtung-Eingang        | gasket - intake              | 272199                        |
| 94                             | 2058 403                        | Nadelventil             | kit - idle mixture           | 493765                        |
| 104                            | 2057 120                        | Stift                   | pin - float hinge            | 231371                        |
| 121                            | 2069 024                        | Vergaser Reparatur-Satz | carburetor overhaul kit      | 498260                        |
| 134                            | 2003 411                        | Schwimmernadelventil    | kit - needle/seat            | 398188                        |
| 137                            | 2069 316                        | Dicht.-Schwimmerkappe   | gasket - float bowl          | 693981                        |
| 163                            | 2059 220                        | Dichtung-Luftfilter     | gasket - air cleaner         | 272653                        |
| 276                            | 2059 202                        | Dichtung                | washer-sealing               | 271716                        |
| 358                            | 2069 021                        | Dichtungssatz-Motor     | gasket set - engine          | 497316                        |
| 524                            | 2058 055                        | O-Ring.Ölrohr           | o-ring                       | 692296                        |
| 585                            | 2063 209                        | Dichtung-Gehäuse        | gasket - breather<br>passage | 272238                        |
| 617                            | 1034 428                        | O - Ring/Vergaser       | seal - o ring                | 270344                        |
| 668                            | 2058 055                        | O-Ring.Ölrohr           | spacer                       | 493823                        |
| 842                            | 1034 439                        | O-Ring-Meßstab          | o-ring                       | 691031                        |
| 883                            | 2059 501                        | Auspuffdichtung         | gasket - exhaust             | 272253                        |
| 977                            | 2059 223                        | Dichtungssatz Vergas.   | gasket set - carburetor      | 490937                        |
| 1059                           | 2059 203                        | Schrauben-Muttern Satz  | screw-nut kit                | 696293                        |
| 1095                           | 2069 057                        | Dichtungssatz           | gasket set - valve           | 498528                        |