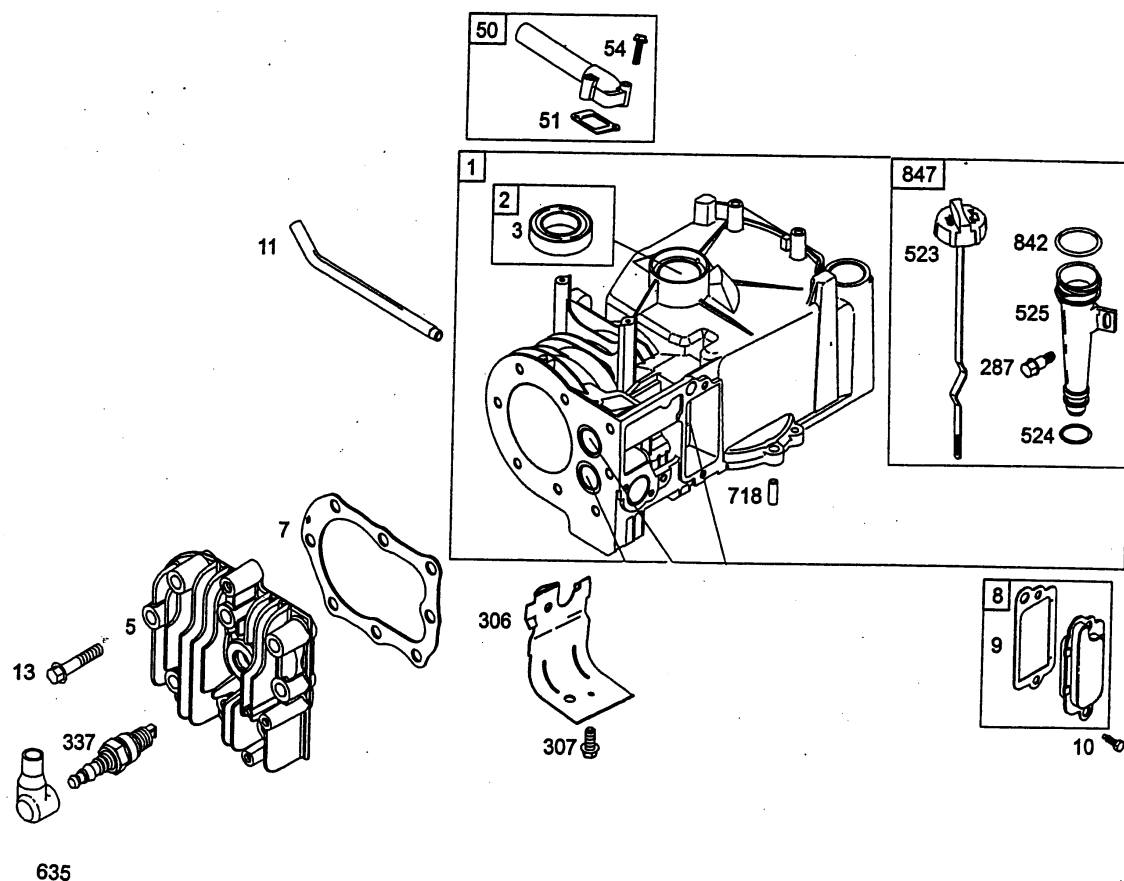


NR:2079 000 Bezeichnung: Sprint 40 Gruppe: Briggs & Stratton Sprint 40 Jahr: 03 Typ:

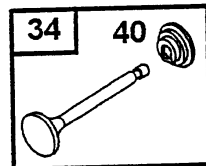
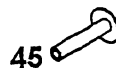
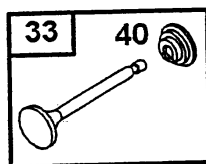
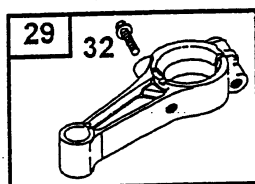
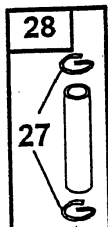
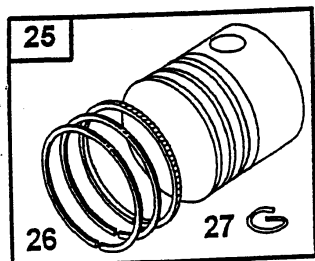
**Sprint 40 Kurbelgehäuse**  
**Sprint 40 cylinder assembly**



**Sprint 40 Kurbelgehäuse**  
**Sprint 40 Cylinder assembly**

| Bild-Nr. /<br>Ref. No. | Best.-Nr. /<br>Part No. | Bezeichnung           | Description            | Part No.<br>B & S |
|------------------------|-------------------------|-----------------------|------------------------|-------------------|
| 1                      | 2007 100                | Zylinder              | cylinder assembly      | 399164            |
| 2                      | 2059 102                | Rep.-Satz             | kit-bushing/seal       | 399269            |
| 3                      | 2057 352                | Simmering-oben        | seal-oil               | 299819            |
| 5                      | 2056 164                | Zylinderkopf          | head-cylinder          | 690386            |
| 7                      | 2056 159                | Dichtung-Zylinderkopf | gasket-cylinder head   | 692288            |
| 8                      | 2056 166                | Entlüfterventil kpl.  | breather assembly      | 495785            |
| 9                      | 1034 301                | Dichtung-Entlüfter    | gasket-breather        | 272602            |
| 10                     | 1034 302                | Schraube              | screw                  | 691666            |
| 11                     | 2056 167                | Leitung               | tube-breather          | 691245            |
| 13                     | 2062 501                | Schraube              | screw                  | 691640            |
| 50                     | 1034 227                | Ansaugrohr-Eingang    | manifold-intake        | 693446            |
| 51                     | 1034 222                | Dichtung-Eingang      | gasket-intake          | 270345            |
| 54                     | 2056 168                | Schraube              | screw                  | 691111            |
| 287                    | 2006 304                | Schraube              | screw                  | 691002            |
| 306                    | 2056 170                | Leitblech             | shield-cylinder        | 690400            |
| 307                    | 2063 120                | Schraube              | screw                  | 690345            |
| 337                    | 2085 300                | Zündkerze             | plug-spark             | 992041            |
| 523                    | 2056 173                | Ölmessstab            | dipstick               | 692040            |
| 524                    | 2007 205                | O-Ring Ölrohr         | seal-deapstick tube    | 691876            |
| 525                    | 2003 203                | Öleinfüllrohr         | tube-dipstick          | 691320            |
| 635                    | 1034 435                | Zündkerzenstecker     | boot-spark plug        | 66538             |
| 718                    | 2057 117                | Paßstift              | pin-locating           | 690959            |
| 842                    | 2056 160                | O-Ring Meßstab        | o-ring seal            | 691870            |
| 847                    | 2056 176                | Öleinfüllrohr kpl.    | dipstick/tube assembly | 691440            |

**Sprint 40 Kolben, Pleuel, Ventile**  
**Sprint 40 piston, connecting rod, valve**

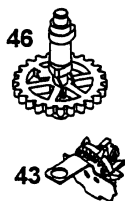
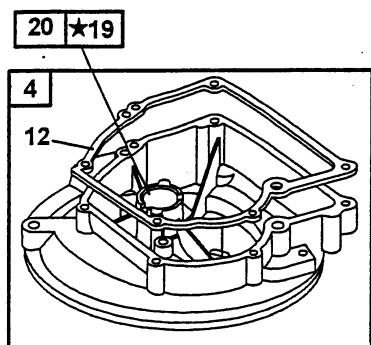


**Sprint 40 Kolben, Pleuel, Ventile**  
**Sprint 40 Piston, Connecting rod, Valve**

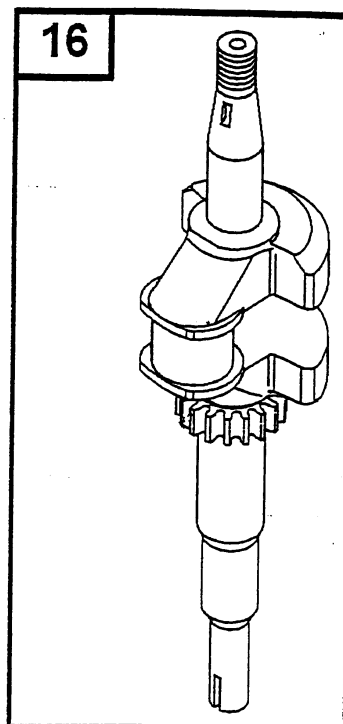
| <b>Bild-Nr. /<br/>Ref. No.</b> | <b>Best.-Nr. /<br/>Part No.</b> | <b>Bezeichnung</b> | <b>Description</b>     | <b>Part No.<br/>B &amp; S</b> |
|--------------------------------|---------------------------------|--------------------|------------------------|-------------------------------|
| 25                             | 2056 161                        | Kolben             | piston assembly        | 498668                        |
| 26                             | 2056 057                        | Kolbenringsatz     | ring set               | 498680                        |
| 27                             | 1034 113                        | Sicherung          | lock-piston pin        | 26026                         |
| 28                             | 1034 114                        | Kolben-Bolzen kpl. | pin-piston (standard)  | 298909                        |
| 29                             | 2056 163                        | Pleuel             | rod-connecting         | 496792                        |
| 32                             | 2059 115                        | Schraube           | screw                  | 691664                        |
| 33                             | 1034 213                        | Ventil-Auslaß      | valve-exhaust          | 296676                        |
| 34                             | 1034 214                        | Ventil-Einlaß      | valve-intake           | 296677                        |
| 35                             | 1034 215                        | Feder-Einlaß       | spring-valve (intake)  | 690520                        |
| 36                             | 1034 215                        | Feder-Auslaß       | spring-valve (exhaust) | 690520                        |
| 40                             | 1034 217                        | Ventilteller       | retainer-valve         | 692194                        |
| 45                             | 1034 218                        | Ventilstoßel       | tappet-valve           | 230173                        |

NR:2079 000 Bezeichnung: Sprint 40 Gruppe: Briggs & Stratton Sprint 40 Jahr: 03 Typ:

**Sprint 40 Kurbelwelle, Ölwanne**  
**Sprint 40 crankshaft, sump bases**



24 



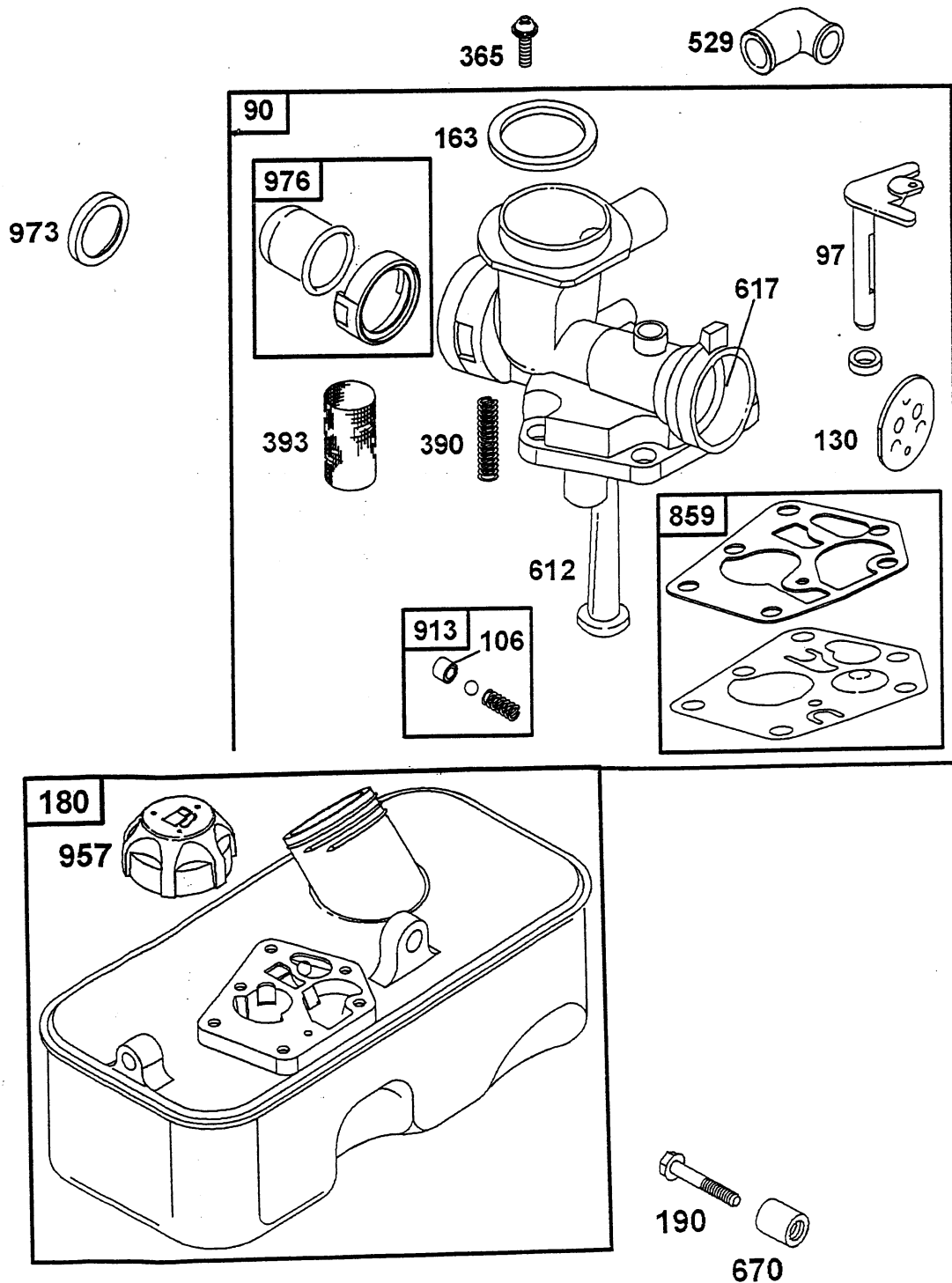
377 

**Sprint 40 Kurbelwelle, Ölwanne**  
**Sprint 40 Crankshaft, Sump bases**

| Bild-Nr. /<br>Ref. No. | Best.-Nr. /<br>Part No. | Bezeichnung      | Description          | Part No.<br>B & S |
|------------------------|-------------------------|------------------|----------------------|-------------------|
| 4                      | 2056 133                | Ölwanne          | sump-engine          | 395384            |
| 12                     | 1007 201                | Dichtung         | gasket-crankcase     | 692218            |
| 15                     | 2058 204                | Ölablaßschraube  | plug-oil drain       | 691680            |
| 16                     | 2056 190                | Kurbelwelle      | crankshaft           | 691471            |
| 19                     | 1034 205                | Rep.-Buchse      | kit bushing/seal     | 293709            |
| 20                     | 2056 304                | Wellendichtring  | seal-oil             | 391483            |
| 22                     | 2056 134                | Schraube         | screw                | 691662            |
| 24                     | 2057 130                | Schwungradkeil   | key-flywheel         | 222698            |
| 43                     | 2056 135                | Regler           | slinger-governor/oil | 691983            |
| 46                     | 2056 136                | Nockenwelle      | camshaft             | 691998            |
| 377                    | 0029 055                | Kurbelwellenkeil | key                  | 692193            |

NR:2079 000 Bezeichnung: Sprint 40 Gruppe: Briggs & Stratton Sprint 40 Jahr: 03 Typ:

**Sprint 40 Vergaser, Tank**  
**Sprint 40 carburetor, fuel tank**

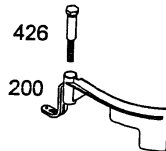
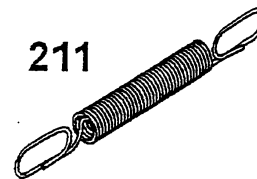
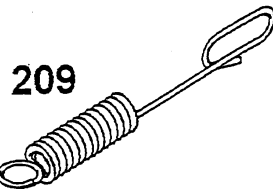
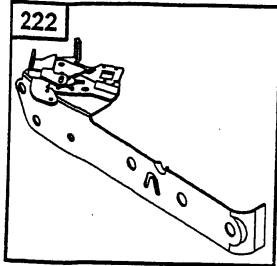


**Sprint 40 Vergaser, Tank**  
**Sprint 40 Carburetor, Fuel tank**

| Bild-Nr. /<br>Ref. No. | Best.-Nr. /<br>Part No. | Bezeichnung           | Description        | Part No.<br>B & S |
|------------------------|-------------------------|-----------------------|--------------------|-------------------|
| 90                     | 2056 056                | Vergaser kpl.         | carburetor compl.  | 498811            |
| 97                     | 2056 145                | Welle                 | shaft-trottle      | 691931            |
| 106                    | 2056 146                | Dichtung              | inlet seat         | 691901            |
| 130                    | 2056 147                | Drosselklappe         | valve-throttle     | 691190            |
| 163                    | 2056 148                | Dichtung-Luftfilter   | gasket-air cleaner | 271139            |
| 180                    | 2056 055                | Tank kpl.             | fuel-tank          | 494406            |
| 190                    | 2062 501                | Schraube              | screw              | 691697            |
| 365                    | 2056 149                | Schraube              | screw              | 692200            |
| 390                    | 2056 150                | Feder                 | spring-diaphragm   | 691839            |
| 393                    | 2056 151                | Sieb                  | screen-carburetor  | 691837            |
| 529                    | 2056 152                | Kniestück             | grommet            | 692189            |
| 612                    | 2056 154                | Rohr                  | tube-pickup        | 496046            |
| 617                    | 2056 155                | Dichtung              | seal o-ring        | 270344            |
| 670                    | 2067 501                | Hülse                 | spacer-fuel tank   | 94047             |
| 859                    | 2056 417                | Membrane mit Dichtung | membrane w. seal   | 495770            |
| 913                    | 2056 156                | Ventilsitz            | seat-check valve   | 494409            |
| 957                    | 2056 144                | Tankdeckel            | cap-fuel tank      | 497929            |
| 973                    | 2056 157                | O-Ring                | ring-trim          | 691347            |
| 976                    | 2056 158                | Primer kpl.           | primer-carburetor  | 494408            |



**Sprint 40 Regelung**  
**Sprint 40 controls**



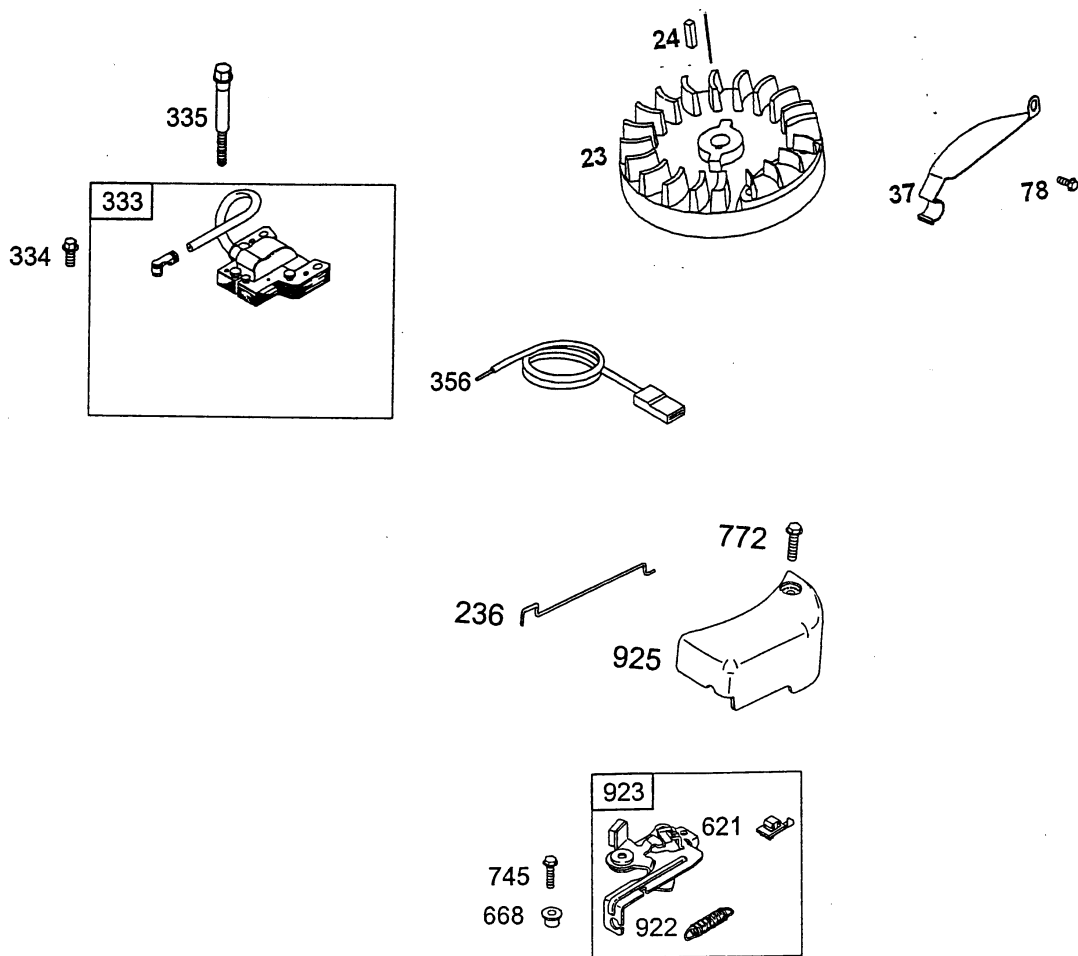
B14

**Sprint 40 Regelung**  
**Sprint 40 Control**

| <b>Bild-Nr. /<br/>Ref. No.</b> | <b>Best.-Nr. /<br/>Part No.</b> | <b>Bezeichnung</b> | <b>Description</b> | <b>Part No.<br/>B &amp; S</b> |
|--------------------------------|---------------------------------|--------------------|--------------------|-------------------------------|
| 188                            | 2063 314                        | Schraube           | hexagon screw      | 690297                        |
| 200                            | 2056 169                        | Windfahne          | blade-governor     | 691912                        |
| 201                            | 2056 131                        | Gestänge           | link-governor      | 690347                        |
| 209                            | 2056 138                        | Vollgasfeder       | spring governor    | 690254                        |
| 211                            | 2056 139                        | Leerlauffeder      | spring governor    | 691859                        |
| 222                            | 2056 132                        | Reglerplatte       | bracket-control    | 691445                        |
| 265                            | 2063 312                        | Schelle            | clamp-casing       | 690798                        |
| 267                            | 2063 313                        | Schraube           | screw              | 691044                        |
| 426                            | 2056 172                        | Schraube           | screw              | 691107                        |

NR:2079 000 Bezeichnung: Sprint 40 Gruppe: Briggs & Stratton Sprint 40 Jahr: 03 Typ:

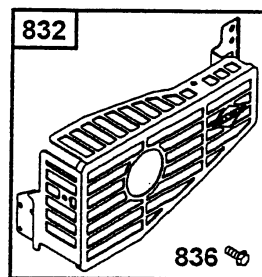
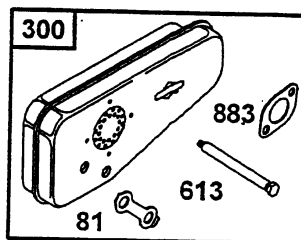
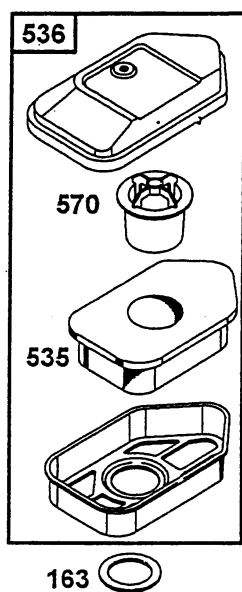
**Sprint 40 Polrad, Zündspule, Bremse**  
**Sprint 40 flywheel, electrical, brake**



**Sprint 40 Polrad, Zündspule, Bremse**  
**Sprint 40 Flywheel, Electrical, Brake**

| Bild-Nr. /<br>Ref. No. | Best.-Nr. /<br>Part No. | Bezeichnung     | Description      | Part No.<br>B & S |
|------------------------|-------------------------|-----------------|------------------|-------------------|
| 23                     | 2056 184                | Schwungrad      | flywheel         | 692009            |
| 24                     | 2057 130                | Schwungradkeil  | key-flywheel     | 222698            |
| 37                     | 2056 178                | Schutzblech     | guard-flywheel   | 690482            |
| 78                     | 2063 314                | Schraube        | screw            | 690297            |
| 236                    | 2059 312                | Gestänge        | link-lockout     | 691826            |
| 333                    | 2003 051                | Zündspule       | armature-magneto | 496914            |
| 334                    | 2003 103                | Schraube        | screw            | 691061            |
| 335                    | 2003 104                | Schraube        | screw            | 691107            |
| 356                    | 2057 183                | Kurzschlußkabel | wire-stop        | 692390            |
| 621                    | 2063 131                | Stopschalter    | switch-stop      | 692310            |
| 668                    | 2063 221                | Hülse           | spacer           | 692889            |
| 745                    | 2056 140                | Schraube        | screw            | 691146            |
| 772                    | 2056 116                | Schraube        | screw            | 691111            |
| 922                    | 2056 141                | Feder           | spring-brake     | 692135            |
| 923                    | 2056 142                | Bremse          | brake            | 691487            |
| 925                    | 2056 115                | Abdeckung       | cover-linkage    | 691349            |

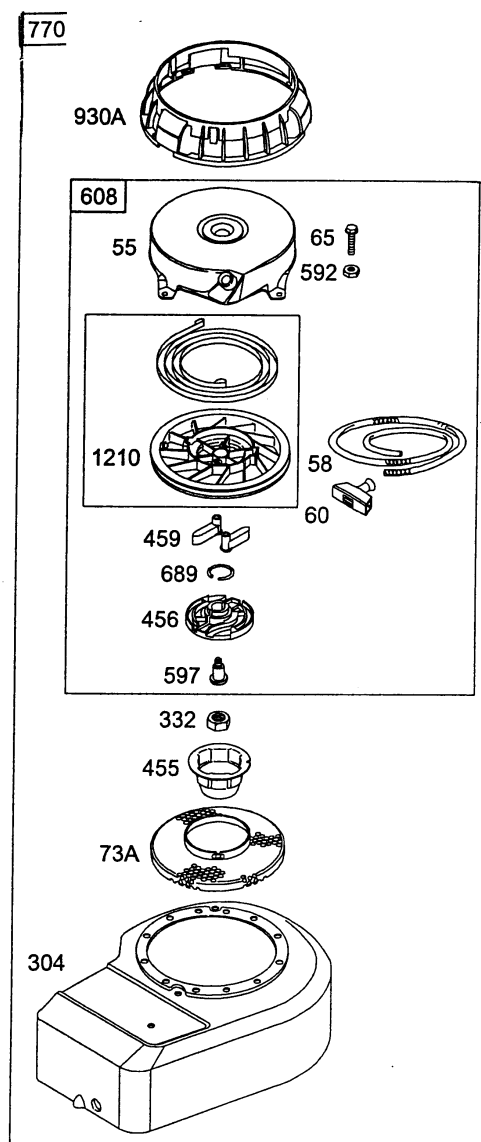
**Sprint 40 Luftfilter, Schalldämpfer**  
**Sprint 40 air cleaner, muffler**



**Sprint 40 Luftfilter, Schalldämpfer**  
**Sprint 40 Air cleaner, Muffler**

| <b>Bild-Nr. /<br/>Ref. No.</b> | <b>Best.-Nr. /<br/>Part No.</b> | <b>Bezeichnung</b>  | <b>Description</b>      | <b>Part No.<br/>B &amp; S</b> |
|--------------------------------|---------------------------------|---------------------|-------------------------|-------------------------------|
| 81                             | 2056 119                        | Sicherung           | lock muffler screw      | 691179                        |
| 163                            | 1007 503                        | Dichtung-Luftfilter | gasket-air cleaner      | 271139                        |
| 300                            | 2056 309                        | Schalldämpfer       | muffler                 | 394644                        |
| 534                            | 2002 408                        | Schraube            | screw (air-cleaner)     | 691417                        |
| 535                            | 2056 305                        | Luftfiltereinsatz   | filter-air cleaner foam | 272235                        |
| 536                            | 2056 301                        | Luftfilter kpl.     | cleaner-air             | 493492                        |
| 570                            | 2056 306                        | Lagerdeckel         | support-foam element    | 691911                        |
| 613                            | 2007 206                        | Schraube            | screw                   | 93935                         |
| 832                            | 2056 118                        | Berührungsschutz    | guard                   | 494896                        |
| 836                            | 2057 108                        | Schraube            | screw                   | 94874                         |
| 883                            | 2056 310                        | Dichtung-Auspuff    | gasket                  | 272252                        |

**Sprint 40 Abdeckung, Starter**  
**Sprint 40 covers, blower housing**

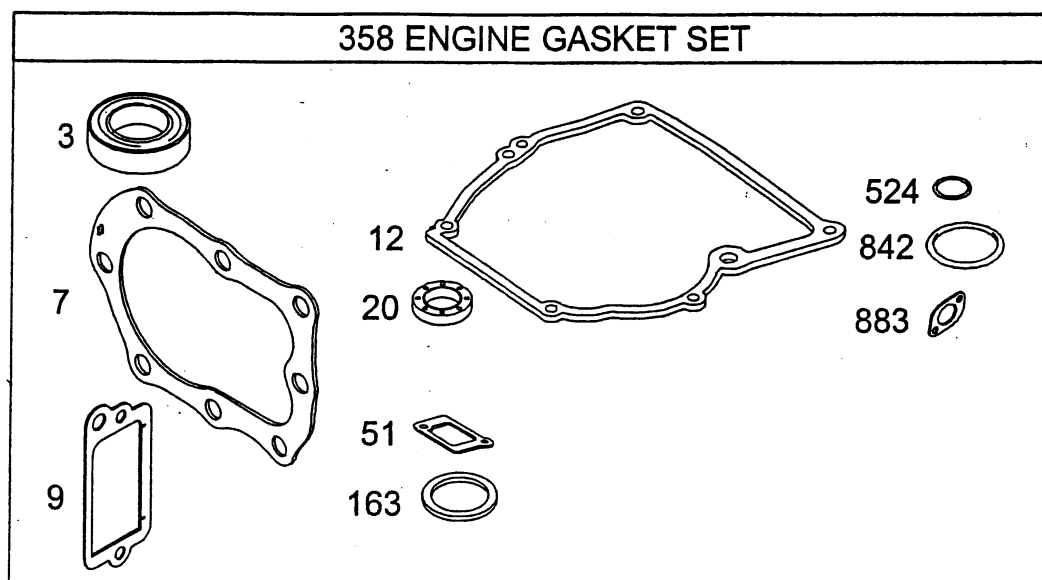
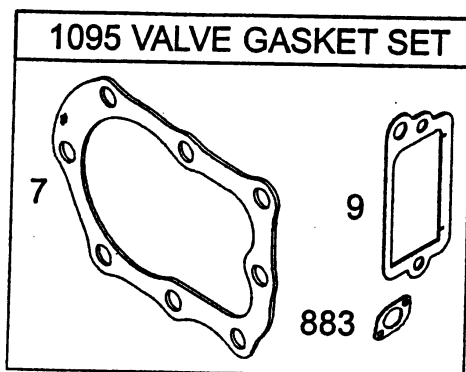


**Sprint 40 Abdeckung, Starter**  
**Sprint 40 Covers, Blower housing**

| <b>Bild-Nr. /<br/>Ref. No.</b> | <b>Best.-Nr. /<br/>Part No.</b> | <b>Bezeichnung</b>       | <b>Description</b>  | <b>Part No.<br/>B &amp; S</b> |
|--------------------------------|---------------------------------|--------------------------|---------------------|-------------------------------|
| 55                             | 2056 121                        | Startergehäuse           | housing-rewind      | 692144                        |
| 58                             | 2056 122                        | Starterseil              | rope-starter        | 692259                        |
| 60                             | 2056 123                        | Handgriff                | grip-starter rope   | 691915                        |
| 65                             | 1001 158                        | Schraube                 | screw               | 690837                        |
| 73A                            | 2056 300                        | Fingerschutz             | screen-rotating     | 691235                        |
| 304                            | 2056 311                        | Lüfterhaube              | housing-blower      | 691484                        |
| 332                            | 2056 312                        | Mutter                   | nut                 | 690662                        |
| 455                            | 2056 303                        | Starterglocke            | cup-flywheel        | 691236                        |
| 456                            | 2056 313                        | Klinkenscheibe           | plate-pawl friction | 692299                        |
| 459                            | 2069 302                        | Starterklinke            | pawl-ratchet        | 281505                        |
| 592                            | 1001 156                        | Mutter                   | nut                 | 690800                        |
| 597                            | 1034 438                        | Schraube                 | screw               | 691696                        |
| 608                            | 2056 125                        | Starter kpl.             | starter-rewind      | 499706                        |
| 689                            | 2056 185                        | Sicherung                | spring-friction     | 691855                        |
| 770                            | 2056 061                        | Lüfterhaube-Starter kpl. | kit-rewind/blower   | 499935                        |
| 930A                           | 2056 188                        | Abdeckung                | cover-blower        | 694044                        |
| 1210                           | 2056 127                        | Seilscheibe kpl.         | pulley-starter      | 499901                        |



**Sprint 40 Dichtungssatz**  
**Sprint 40 gasket set**



**Sprint 40 Dichtungssatz**  
**Sprint 40 Gasket set**

| <b>Bild-Nr. /<br/>Ref. No.</b> | <b>Best.-Nr. /<br/>Part No.</b> | <b>Bezeichnung</b>       | <b>Description</b>   | <b>Part No.<br/>B &amp; S</b> |
|--------------------------------|---------------------------------|--------------------------|----------------------|-------------------------------|
| 3                              | 2057 352                        | Simmering-oben           | seal-oil             | 299819                        |
| 7                              | 2056 159                        | Zylinderkopfdichtung     | gasket-cylinder head | 692288                        |
| 9                              | 1034 301                        | Dichtung-Entlüfter       | gasket breather      | 272602                        |
| 12                             | 1007 201                        | Dichtung-Ölwanne         | gasket-crankcase     | 692218                        |
| 20                             | 1007 203                        | Simmering-unten          | seal-oil             | 391483                        |
| 51                             | 1034 222                        | Dichtung-Eingang         | gasket-intake        | 270345                        |
| 163                            | 1007 503                        | Dichtung-Luftfilter      | gasket-air cleaner   | 271139                        |
| 358                            | 1034 050                        | Dichtungssatz Motor kpl. | engine gasket-set    | 298989                        |
| 524                            | 2007 205                        | O-Ring-Ölrohr            | seal-dipstick tube   | 691876                        |
| 842                            | 2056 160                        | O-Ring-Meßstab           | o-ring seal          | 691870                        |
| 1095                           | 2056 117                        | Dichtungssatz            | valve gasket-set     | 498526                        |