

Scooter SV 4, Serie D
Scooter OHV 3, Serie D

Ausstattung Aufsitzmäher

| | | |
|-----------------------------------|--|---------------|
| Typ / Kurzbez. | SV4 | OHV3 |
| Ausführung für | International | International |
| Geräte - Nr. | 6155 000 | 6995 000 |
| Schnittbreite | 55 cm | |
| Rahmen | Doppel-Delta-Rohrrahmen | |
| Mähgehäuse | Aluminiumdruckguß, linksseitig bündig | |
| Gewicht | 98 kg | |
| Abmessungen L/B/H | 1180 mm x 720 mm x 970 mm | |
| Gemessener Schallleistungspegel | 99 dB(A) | |
| Garantierter Schallleistungspegel | 100 dB(A) | |
| Ø Rad vorne/hinten | 270 mm | |
| Ausführung Räder | 11x4,00-4/4,10/3,50-4 | |
| Luftdruck | 2,5 bar | |
| Höhenverstellung | zentral, 5-fach | |
| Schneithöhe | 3,5 - 8,5 cm | |
| Wenderadius | 1,7 m | |
| Antrieb | ja, 3 Vorwärts- / 1 Rückwärtsgang, Ersatzteile Getriebe siehe Scooter 6150 000, Serie A / 1997 | |
| Fahrgeschwindigkeit | 3,5 / 4,6 / 10,8 km/h | |
| Motor - Hersteller | Briggs & Stratton | |
| Motor - Modell | Intek Edge OHV 60 | |
| Spezifikation | 1216070334E1 | 1216070333E1 |
| WOLF Motor - Nr. | 2057005 | 2057006 |
| Nennleistung | 3,6 kW (4,9 PS) | |
| Drehzahl | 2600 min-1 | |
| Schmierung | Mehrbereichsöl, HD SAE 15-W40 | |
| Tankinhalt | 1,5 l | |
| Zündkerze | Champion RC 12 YC, Art.-Nr. / part no. 2057188 | |
| Fangsack | 95L | |

english: see next page

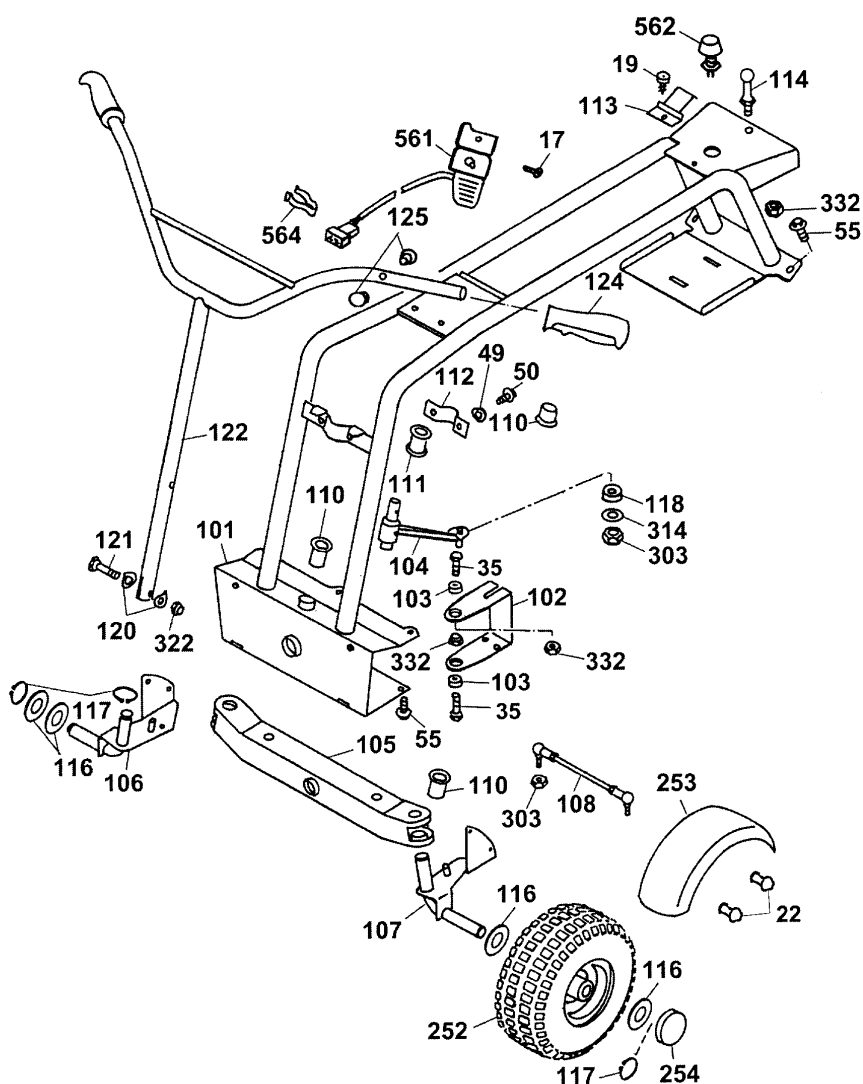
Scooter SV 4, Series D
Scooter OHV 3, Series D

Equipment Petrol-Mowers

| | | |
|--|--|---------------|
| order code | SV4 | OHV3 |
| version for | International | International |
| article number | 6155 000 | 6995 000 |
| cuttin width | 55 cm | |
| frame | double-delta, tube | |
| chassis | aluminium, die casting | |
| weight | 98 kg | |
| dimensions l./w./h./ | 1180 mm x 720 mm x 970 mm | |
| measured sound performance level dB(A) | 99 dB(A) | |
| guaranteed sound performance level dB(A) | 100 dB(A) | |
| dia. wheel front/back | 270 mm | |
| version wheels | 11x4,00-4/4, 10/3,50-4 | |
| air pressure | 2,5 bar | |
| height adjustment | central, 5-fold | |
| cutting height | 3,5 - 8,5 cm | |
| inflection circle | 1,7 m | |
| power drive | yes, 3 forward gears, 1 reserve gear, for spare parts gear please refer to model Scooter 6150 000, series A / 1997 | |
| speed | 3,5 / 4,6 / 10,8 km/h | |
| motor-producer | Briggs & Stratton | |
| motor-type | Intek Edge OHV 60 | |
| specification | 1216070334E1 | 1216070333E1 |
| motor-no. WOLF | 2057005 | 2057006 |
| nominal capacity | 3,6 kW (4,9 PS) | |
| rotary frequency | 2.600 min.-1 | |
| greasing | multigrade oil HD SAE 15-W40 | |
| tank capacity | 1,5 L | |
| spark | Champion RC 12 YC, Art.-Nr. / part no. 2057188 | |
| grass collector | 95L | |

Ⓓ Scooter OHV3 / SV4, Serie D, Oberrahmen,
Lenkung

ⒼⒷ Scooter OHV3 / SV4, Series D, Upper frame,
Steering mechanism



Scooter OHV3 / SV4, Serie D, Oberrahmen, Lenkung

| Bild-Nr. | Best.-Nr. | Bezeichnung |
|----------|-----------|---|
| 17 | 0012 625 | Torx-Schraube (OHV3) |
| 19 | 0015 821 | Schraube BZ4 2x13 DIN 7981 |
| 22 | 6110 315 | Spreizniet (4 Stck.) |
| 35 | 0010 365 | 6kt.-Schraube M6x25 DIN 983 (2 Stck.) |
| 49 | 0017 908 | Federring (2 Stck.) |
| 50 | 0010 373 | 6kt.-Schraube M6x10 DIN 933 (2 Stck.) |
| 55 | 0010 892 | SF-Schraube M6x14K (6 Stck.) |
| 101 | 6150 010 | Oberrahmen kpl. |
| 102 | 6150 492 | Hebel |
| 103 | 6150 473 | Lenkungsbundbuchse (2 Stck.) |
| 104 | 6150 077 | Mitnehmer |
| 105 | 6150 910 | Pendelachse kpl. (EBG) incl. Buchsen |
| 106 | 6150 920 | Radachse vorne, rechts (EBG) m. 2x Spreizniet |
| 107 | 6150 922 | Radachse vorne, links (EBG) m. 2x Spreizniet |
| 108 | 6150 035 | Spurstange (2 Stck.) |
| 110 | 6150 316 | Bundbuchse (4 Stck.) |
| 111 | 6150 319 | Bundbuchse spezial |
| 112 | 6150 431 | Anschraubflasche |
| 113 | 6150 462 | Blattfeder |
| 114 | 6150 457 | Rastzapfen |
| 116 | 0017 113 | Scheibe (4 Stck.) |
| 117 | 0020 018 | Sicherungsring (4 Stck.) |
| 118 | 6150 474 | Lenkungsbuchse |
| 120 | 6150 182 | Hohlscheibe (2 Stck.) |
| 121 | 0010 301 | 6kt.-Schraube M6x35 DIN 931 |
| 122 | 6995 032 | Lenkung |
| 124 | 6155 305 | Lenkergriff (Paar) |
| 125 | 6155 312 | Stopfen (SV4, 2 Stck.) |
| 252 | 6150 040 | Laufgrad, vorne (2 Stck.) |
| *** | 6150 324 | Radschlauch |
| *** | 6150 325 | Reifen |
| 253 | 6150 304 | Kotflügel (2 Stck.) |
| 254 | 6150 328 | Deckel (2 Stck.) |

Scooter OHV3 / SV4, Serie D, Oberrahmen, Lenkung

| Bild-Nr. | Best.-Nr. | Bezeichnung |
|----------|-----------|------------------------------------|
| 303 | 0016 312 | 6kt.-Mutter M8 DIN 985-5 (3 Stck.) |
| 314 | 0017 291 | Scheibe AB, 4, DIN 9021 |
| 332 | 0016 311 | 6kt.-Mutter M6, DIN 985 (3 Stck.) |
| 561 | 6990 053 | Tastschalter (OHV3) |
| 562 | 6990 062 | Sitzkontaktschalter (OHV3) |
| 564 | 4950 307 | Kabelschelle (OHV3, 2 Stck.) |

english: see next page

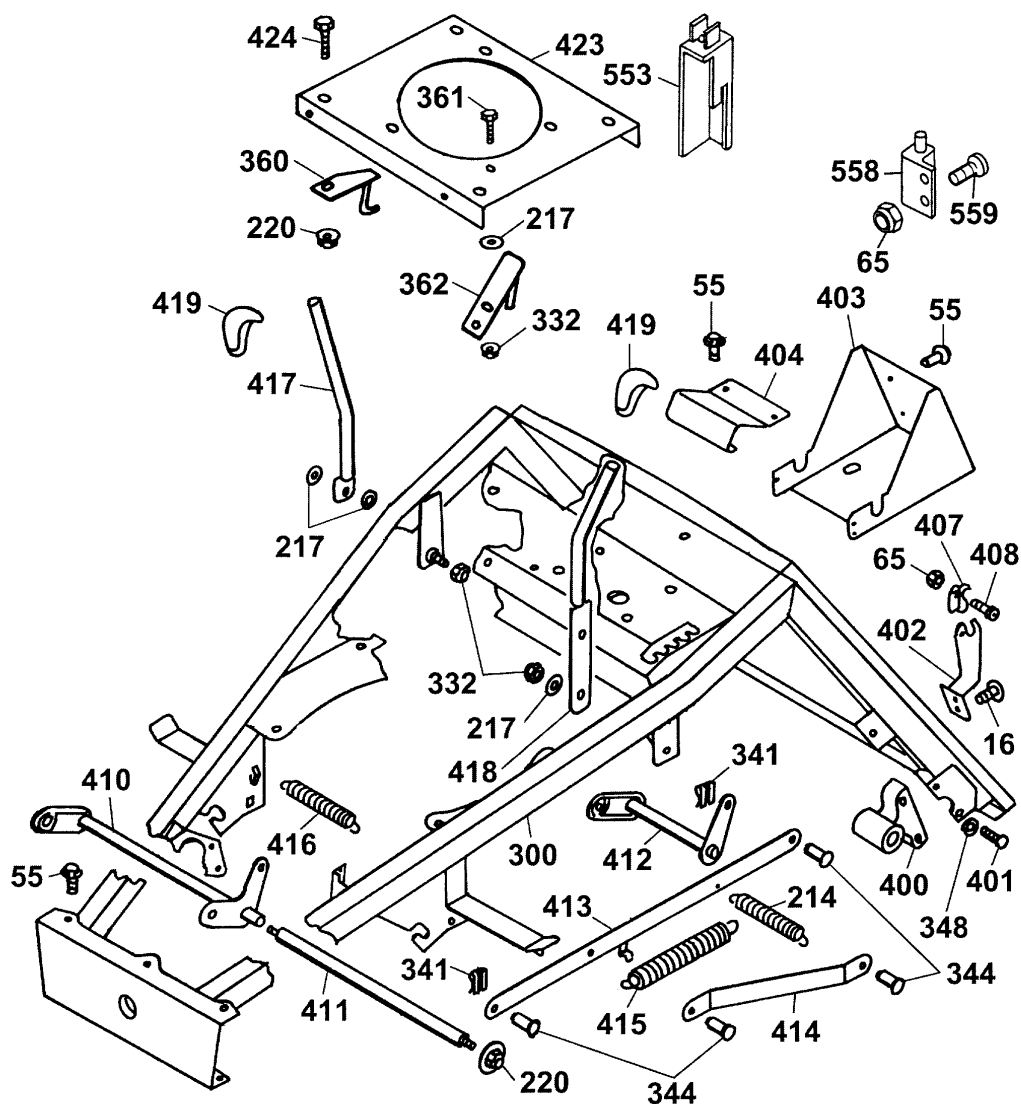
Scooter OHV3 / SV4, Series D, Upper frame, Steering

| Ref. No. | Part No. | Description |
|----------|----------|--|
| | 17 | 0012 625 screw (OHV3 only) |
| | 19 | 0015 821 screw BZ4 2x13 DIN 7981 |
| | 22 | 6110 315 body-bound rivet (4 pieces) |
| | 35 | 0010 365 hex. screw M6x25 DIN 983 (2 pieces) |
| | 49 | 0017 908 spring washer (2 pieces) |
| | 50 | 0010 373 hex. screw M6x10 DIN 933 (2 pieces) |
| | 55 | 0010 892 screw M6x14K (6 pieces) |
| | 101 | 6150 010 upper frame |
| | 102 | 6150 492 lever |
| | 103 | 6150 473 bush, flanged (2 pieces) |
| | 104 | 6150 077 driver |
| | 105 | 6150 910 front axle complete with bushes |
| | 106 | 6150 920 front kingpin assembly, right incl. 2 pieces body-bound rivet |
| | 107 | 6150 922 front kingpin assembly, left incl. 2 pieces body-bound rivet |
| | 108 | 6150 035 track rod assembly (2 pieces) |
| | 110 | 6150 316 bush, flanged (4 pieces) |
| | 111 | 6150 319 bush, flanged |
| | 112 | 6150 431 clamp bracket |
| | 113 | 6150 462 coach spring |
| | 114 | 6150 457 seat pintle |
| | 116 | 0017 113 washer (4 pieces) |
| | 117 | 0020 018 circlip (4 pieces) |
| | 118 | 6150 474 steering bush |
| | 120 | 6150 182 dished washer (2 pieces) |
| | 121 | 0010 301 hex. screw M6x35 DIN 931 |
| | 122 | 6995 032 steering column assembly |
| | 124 | 6155 305 handgrip (pair) |
| | 125 | 6155 312 body-bound rivet (SV4 only, 2 pieces) |
| | 252 | 6150 040 front wheel & tyre assembly (2 pieces) |
| | *** | 6150 324 inner tube |
| | *** | 6150 325 tyre only |
| | 253 | 6150 304 mudguard (2 pieces) |
| | 254 | 6150 328 cover (2 pieces) |

Scooter OHV3 / SV4, Series D, Upper Frame, Steering

| Ref. No. | Part No. | Description |
|----------|----------|----------------------------------|
| 303 | 0016 312 | hex. nut M8 DIN 985-5 (3 pieces) |
| 314 | 0017 291 | washer DIN 9021 |
| 332 | 0016 311 | hex. nut M6 DIN 985 (3 pieces) |
| 561 | 6990 053 | push-button switch (OHV3 only) |
| 562 | 6990 062 | seat switch (OHV3 only) |
| 564 | 4950 307 | cable clip (OHV3 only, 2 pieces) |

- Ⓓ Scooter OHV3 / SV4, Serie D, Unterraahmen, Höhenverstellung
- ⒼⒷ Scooter OHV3 / SV4, Series D, Lower frame, Height-adjustment



Scooter OHV3 / SV4, Serie D, Unterrahmen, Höhenverstellung

| Bild-Nr. | Best.-Nr. | Bezeichnung |
|----------|-----------|------------------------------------|
| 16 | 0010 893 | Schraube M6x12 (4 Stck.) |
| 55 | 0010 892 | Schraube M6x14 (6 Stck.) |
| 65 | 0016 309 | Mutter (4 Stck.) |
| 214 | 6150 168 | Zugfeder (2 Stck.) |
| 217 | 0017 289 | Scheibe A6 4x18 DIN 9021 (4 Stck.) |
| 220 | 0016 385 | 6kt.-Mutter M8 (3 Stck.) |
| 300 | 6155 046 | Unterrahmen |
| 332 | 0016 311 | 6kt.-Mutter M6 DIN 985 (3 Stck.) |
| 341 | 0020 981 | SL-Sicherung (2 Stck.) |
| 344 | 6340 214 | Bolzen (4 Stck.) |
| 348 | 0017 909 | Federring (4 Stck.) |
| 360 | 6155 447 | Riemenführungsblech (SV4) |
| 361 | 0010 377 | 6kt.-Schraube M6x20 DIN 933 |
| 362 | 6155 038 | Führungsblech (SV4) |
| 400 | 6150 150 | Achshalter (2 Stck.) |
| 401 | 0010 389 | 6kt.-Schraube M8x30 (4 Stck.) |
| 402 | 6155 104 | Fangkorb-Halter (2 Stck.) |
| 403 | 6150 438 | Halteblech |
| 404 | 6150 428 | Klemmlasche |
| 407 | 6150 465 | Rastfeder (2 Stck.) |
| 408 | 0012 857 | Linsenschraube M4x12 (2 Stck.) |
| 410 | 6150 038 | Aufnahmestange, vorne |
| 411 | 6150 190 | Welle |
| 412 | 6150 039 | Aufnahmestange, hinten |
| 413 | 6150 012 | Verbindungsstange |
| 414 | 6150 440 | Schaltlasche |
| 415 | 6150 413 | Zugfeder |
| 416 | 6155 447 | Zugfeder (SV4) |
| 417 | 6155 027 | Schalthebel (Getriebe) |

Scooter OHV3 / SV4, Serie D, Unterrahmen, Höhenverstellung

| Bild-Nr. | Best.-Nr. | Bezeichnung |
|----------|-----------|--|
| 418 | 6155 021 | Schalthebel (Schnitthöhe) |
| 419 | 6155 318 | Schaltknauf (2 Stck.) |
| 423 | 6155 124 | Motorblech |
| 424 | 0010 335 | 6kt.-Schraube M8x20 DIN 933 (SV4, 3 Stck.) |
| 553 | 6150 329 | Schutzkappe für Pos. 558 |
| 558 | 6990 061 | Fangkorbschalter (OHV3) |
| 558 | 6150 061 | Fangkorbschalter (SV4) |
| 559 | 0010 931 | SF-Schraube M5x12 |

english: see next page

Scooter OHV3 / SV4, Series D, Lower frame, Height-adjustment

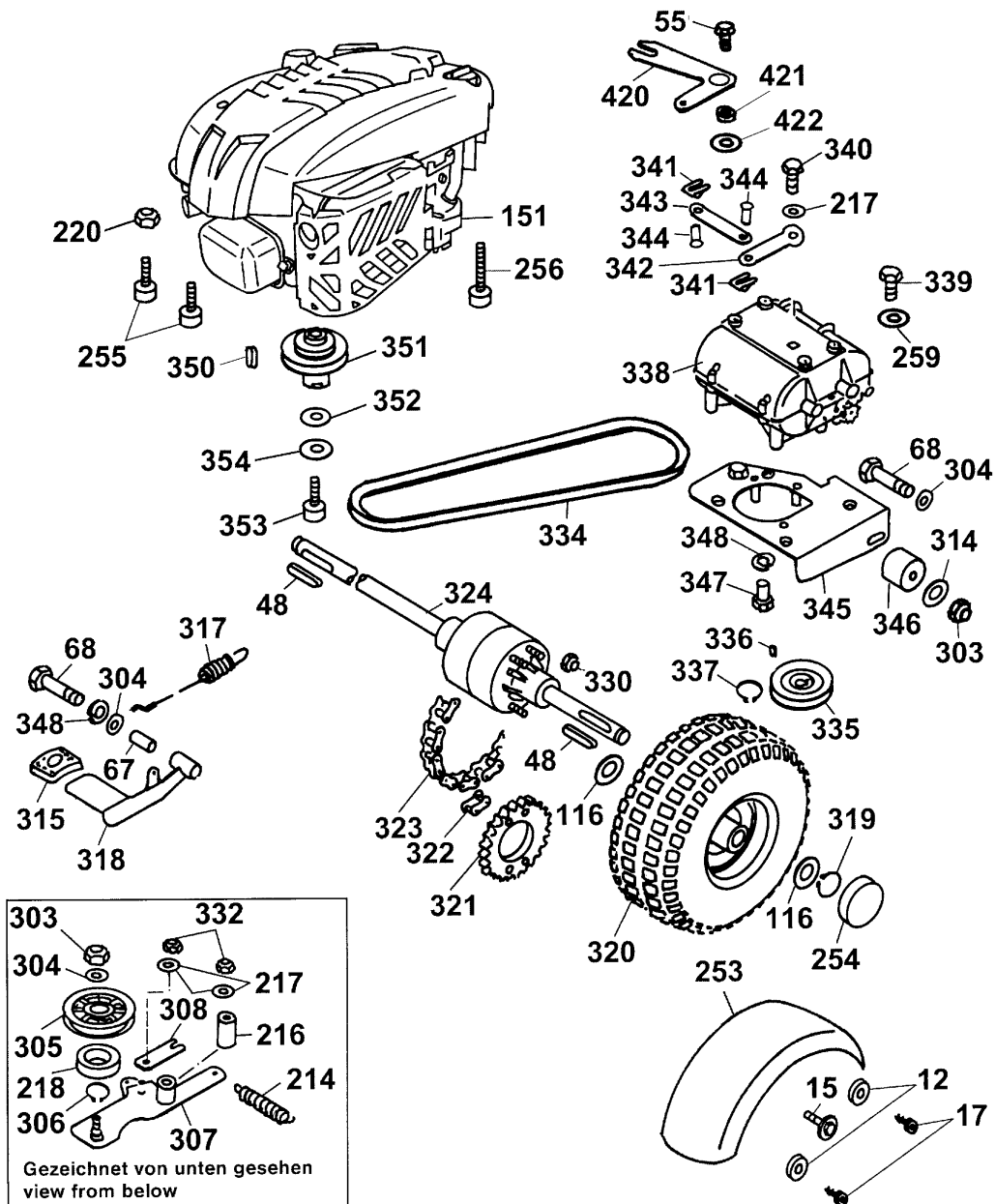
| Ref. No. | Part No. | Description |
|----------|--------------|---|
| | 16 0010 893 | screw M6x12 (4 pieces) |
| | 55 0010 892 | screw M6x14 (6 pieces) |
| | 65 0016 309 | nut (4 pieces) |
| | 214 6150 168 | tension spring (2 pieces) |
| | 217 0017 289 | washer A6 4x18 DIN 9021 (4 pieces) |
| | 220 0016 385 | hex. nut M8 (3 pieces) |
| | 300 6155 046 | lower frame |
| | 332 0016 311 | hex. nut M6 DIN 985 (3 pieces) |
| | 341 0020 981 | retaining clip (2 pieces) |
| | 344 6340 214 | bolt (4 pieces) |
| | 348 0017 909 | spring washer (4 pieces) |
| | 360 6155 447 | tension spring (SV4 only) |
| | 361 0010 377 | hex. screw M6x20 DIN 933 |
| | 362 6155 038 | guiding sheet metal (SV4 only) |
| | 400 6150 150 | axle holder (2 pieces) |
| | 401 0010 389 | hex. screw M8x30 (4 pieces) |
| | 402 6155 104 | support bracket, for grass catcher (2 pieces) |
| | 403 6150 438 | bracket |
| | 404 6150 428 | clamp plate |
| | 407 6150 465 | spring clip (2 pieces) |
| | 408 0012 857 | screw M4x16 (2 pieces) |
| | 410 6150 038 | deck support cross shaft, front |
| | 411 6150 190 | cross shaft pivot pin |
| | 412 6150 039 | deck support cross shaft, rear |
| | 413 6150 012 | connecting rod |
| | 414 6150 440 | link |
| | 415 6150 413 | tension spring |
| | 416 6155 447 | tension spring (SV4 only) |
| | 417 6155 027 | gear lever |

**Scooter OHV3 / SV4, Series D, Lower frame,
Height-adjustment**

| Ref. No. | Part No. | Description |
|----------|----------|---|
| 418 | 6155 021 | height-adjustment lever |
| 419 | 6155 318 | gearshift knob (2 pieces) |
| 423 | 6155 124 | engine panel |
| 424 | 0010 335 | hex. screw M8x20 DIN 933 (SV4 only, 3 pieces) |
| 553 | 6150 329 | cover for ref. no. 558 |
| 558 | 6990 061 | switch, for grass catcher (OHV3 only) |
| 558 | 6150 061 | switch, for grass catcher (SV4 only) |
| 559 | 0010 931 | screw M5x12 |

D Scooter OHV3 / SV4, Serie D, Antrieb, Fahrwerk

GB Scooter OHV3 / SV4, Series D, Drive, Running gear



Scooter OHV3 / SV4, Serie D, Antrieb, Fahrwerk

| Bild-Nr. | Best.-Nr. | Bezeichnung |
|----------|-----------|---|
| 12 | 0017 120 | Scheibe (4 Stck.) |
| 15 | 0010 890 | SF-Schraube M6x20 (2 Stck.) |
| 17 | 0012 625 | Torx-Schraube (4 Stck.) |
| 48 | 0028 770 | Passfeder (2 Stck.) |
| 55 | 0010 892 | Tuflok Schraube M6x14 |
| 67 | 6150 146 | Buchse |
| 68 | 0010 338 | 6kt.-Schraube M8x55 DIN 931 (2 Stck.) |
| 116 | 0017 113 | Scheibe (4 Stck.) |
| 151 | 2057 005 | Motor B&S Intek (SV4) |
| 151 | 2057 006 | Motor B&S Intek (OHV3) |
| 214 | 6150 168 | Zugfeder |
| 216 | 6150 165 | Distanzbuchse |
| 217 | 0017 289 | Scheibe A6 (5 Stck.) |
| 218 | 0023 091 | Rillenkugellager |
| 220 | 0016 385 | 6kt.-Mutter M8 (3 Stck.) |
| 254 | 6150 328 | Deckel (2 Stck.) |
| 255 | 0011 351 | Zyl.-Schraube M8x35 (2 Stck.) |
| 256 | 0011 353 | Zyl.-Schraube M8x60 |
| 259 | 0017 111 | Scheibe 8,4x27 |
| 303 | 0016 312 | Stopmutter M8 |
| 304 | 0017 123 | Scheibe A8 DIN 125 (2 Stck.) |
| 305 | 6150 166 | Spannrolle |
| 306 | 0021 020 | Sicherungsring |
| 307 | 6150 058 | Spannrollenarm kpl. |
| 308 | 6110 415 | Bremshebel |
| 314 | 0017 291 | Scheibe A8 4-,DIN9021 |
| 315 | 6150 322 | Pedalbezug |
| 317 | 6150 053 | Bowdenzug, Antrieb |
| 318 | 6150 057 | Pedal kpl. |
| 319 | 6150 118 | Sicherungsring (2 Stck.) |
| 320 | 6150 041 | Laufrad Antrieb "Kenda" 11x4,00-4 (2 Stck.) |
| 321 | 6150 912 | Kettenrad kpl. (EBG) |
| 322 | 6150 905 | Kettenschloss (Ersatz) |
| 323 | 6150 151 | Kette 1/2" x 5/16" |

Scooter OHV3 / SV4, Serie D, Antrieb, Fahrwerk

| Bild-Nr. | Best.-Nr. | Bezeichnung |
|----------|-----------|--|
| 324 | 1096 020 | Differential |
| 330 | 6150 117 | Mutter (4 Stck.) |
| 332 | 0016 311 | Mutter (2 Stck.) |
| 334 | 0039 213 | Keilriemen, Antrieb 10x657 ZK |
| 335 | 6150 167 | Riemenscheibe |
| 336 | 6150 170 | Scheibenfeder |
| 337 | 6150 171 | Sicherungsring |
| 338 | 1096 000 | Getriebe kpl. |
| 339 | 0015 040 | Skt. Schraube (4 Stck.) |
| 340 | 6150 490 | Schraube |
| 341 | 0020 981 | SL-Sicherung (2 Stck.) |
| 342 | 6155 554 | Schalthebel |
| 343 | 6150 433 | Schaltflasche |
| 344 | 6340 214 | Bolzen (2 Stck.) |
| 345 | 6150 017 | Halteplatte |
| 346 | 6150 307 | Spannrolle |
| 347 | 6150 169 | Schraube (4 Stck.) |
| 348 | 0017 909 | Federring A8 DIN 127 (5 Stck.) |
| 350 | 0028 775 | Passfeder B 3/16 X1 1/2" DIN 6885 |
| 351 | 6155 176 | Motorriemenscheibe |
| 352 | 0017 292 | Scheibe A10,5 |
| 353 | 6110 414 | Zyl. Schraube 3/8" 24 UNF ZA DIN 912-8,8 |
| 354 | 0017 105 | Spannscheibe |
| 420 | 6150 426 | Hebel |
| 421 | 6150 147 | Scheibe |
| 422 | 0017 556 | Scheibe |

english: see next page

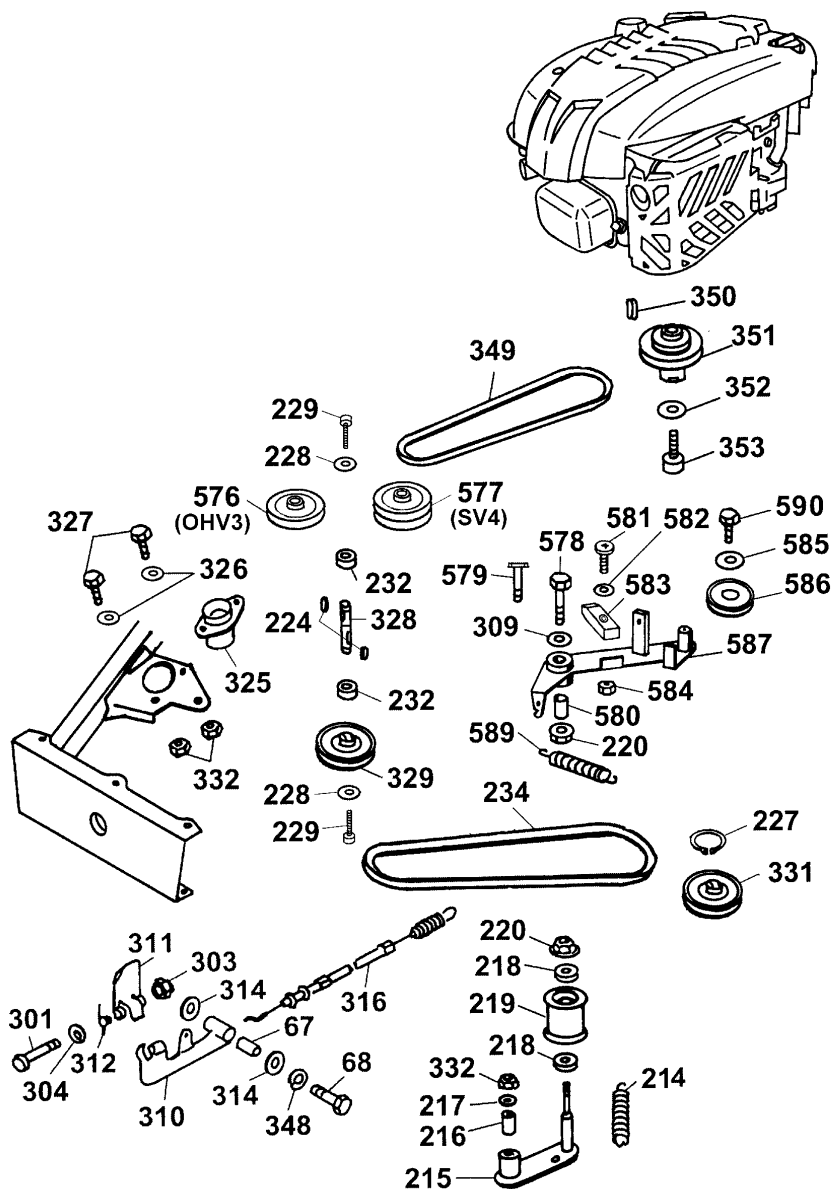
Scooter OHV3 / SV4, Series D, Drive, Running gear

| Ref. No. | Part No. | Description |
|----------|----------|--|
| 12 | 0017 120 | washer (4 pieces) |
| 15 | 0010 890 | screw M6x20 (2 pieces) |
| 17 | 0012 625 | screw (4 pieces) |
| 48 | 0028 770 | feather key (2 pieces) |
| 55 | 0010 892 | screw M6x14 |
| 67 | 6150 146 | bush |
| 68 | 0010 338 | hex. screw M8x55 DIN 931 (2 pieces) |
| 116 | 0017 113 | washer (4 pieces) |
| 151 | 2057 005 | motor B&S Intek (SV4 only) |
| 151 | 2057 006 | motor B&S Intek (OHV3 only) |
| 214 | 6150 168 | tension spring |
| 216 | 6150 165 | spacer bush |
| 217 | 0017 289 | washer A6 (5 pieces) |
| 218 | 0023 091 | bearing |
| 220 | 0016 385 | hex. nut M8 (3 pieces) |
| 254 | 6150 328 | cover (2 pieces) |
| 255 | 0011 351 | screw M8x35 (2 pieces) |
| 256 | 0011 353 | screw M8x60 |
| 259 | 0017 111 | washer 8,4x27 |
| 303 | 0016 312 | stop-nut M8 |
| 304 | 0017 123 | washer A8 DIN 125 (2 pieces) |
| 305 | 6150 166 | idler pulley |
| 306 | 0021 020 | circlip |
| 307 | 6150 058 | idler arm compl. |
| 308 | 6110 415 | brake lever |
| 314 | 0017 291 | washer A8 4-DIN9021 |
| 315 | 6150 322 | pedal rubber |
| 317 | 6150 053 | bowden wire, drive |
| 318 | 6150 057 | transmission pedal |
| 319 | 6150 118 | circlip (2 pieces) |
| 320 | 6150 041 | rear wheel & tyre assembly 11x4,00-4 "Kenda" (2 piec.) |
| 321 | 6150 912 | driven sprocket |
| 322 | 6150 905 | chain connecting link (substitute) |
| 323 | 6150 151 | roller chain ½" x 5/16" |

Scooter OHV3 / SV4, Series D, Drive, Running

| Ref. No. | Part No. | Description |
|----------|----------|-------------------------------------|
| 324 | 1096 020 | differential |
| 330 | 6150 117 | nut (4 pieces) |
| 332 | 0016 311 | nut (2 pieces) |
| 334 | 0039 213 | v-belt, drive 10x657 ZK |
| 335 | 6150 167 | gearbox pulley |
| 336 | 6150 170 | key |
| 337 | 6150 171 | circlip |
| 338 | 1096 000 | gear compl. |
| 339 | 0015 040 | hex. screw (4 pieces) |
| 340 | 6150 490 | screw |
| 341 | 0020 981 | retaining clip (2 pieces) |
| 342 | 6155 554 | shift lever |
| 343 | 6150 433 | gearshift plate |
| 344 | 6340 214 | bolt (2 pieces) |
| 345 | 6150 017 | base plate |
| 346 | 6150 307 | chain tensioner |
| 347 | 6150 169 | screw (4 pieces) |
| 348 | 0017 909 | spring washer A8 DIN 127 (5 pieces) |
| 350 | 0028 775 | feather key B3/16 X1 1/2" DIN 6885 |
| 351 | 6155 176 | motor v-belt pulley |
| 352 | 0017 292 | washer A10,5 |
| 353 | 6110 414 | screw 3/8" 24 UNF ZA DIN 912-8,9 |
| 354 | 0017 105 | dished washer |
| 420 | 6150 426 | lever |
| 421 | 6150 147 | washer |
| 422 | 0017 556 | washer |

- Ⓓ Scooter OHV3 / SV4, Serie D, Messerantrieb, Keilriemenkupplung
- ⒼⒷ Scooter OHV3 / SV4, Series D, Blade drive, Clutching belt



Scooter OHV3 / SV4, Serie D, Messerantrieb, Keilriemenkupplung

| Bild-Nr. | Best.-Nr. | Bezeichnung |
|----------|-----------|--|
| 67 | 6150 146 | Buchse |
| 68 | 0010 338 | 6kt.-Schraube M8x55 DIN 931 (2 Stck.) |
| 214 | 6150 168 | Zugfeder |
| 215 | 6155 025 | Spannrollenarm |
| 216 | 6150 165 | Distanzbuchse |
| 217 | 0017 289 | Scheibe A6 4x18 DIN 9021 |
| 218 | 0023 091 | Rillenkugellager (2 Stck.) |
| 219 | 6155 151 | Spannrolle |
| 220 | 0016 385 | 6kt.-Mutter M8 (2 Stck.) |
| 224 | 0028 772 | Passfeder A6x6x22 DIN 6885 (2 Stck.) |
| 228 | 0017 111 | Scheibe 8,4 (2 Stck.) |
| 229 | 0011 359 | Zylinderschraube M8x22 (2 Stck.) |
| 232 | 0023 224 | Rillenkugellager (2 Stck.) |
| 234 | 0039 216 | Keilriemen SPZ 955 LW/ZK/M2 |
| 301 | 0011 352 | Zylinderschraube M8x55 DIN 912-8 (SV4) |
| 303 | 0016 312 | Stopmutter (SV4) |
| 309 | 0017 291 | Scheibe A8,4-DIN 9021 (OHV3) |
| 310 | 6150 029 | Pedal kpl. (SV4) |
| 311 | 6150 448 | Trittplatte (SV4) |
| 312 | 6150 444 | Schenkelfeder (SV4) |
| 314 | 0017 291 | Scheibe A8,4-DIN 9021 (2 Stck.) |
| 316 | 6155 448 | Bowdenzug, Mähwerk (SV4) |
| 325 | 6155 152 | Zwischenflansch |
| 326 | 0017 121 | Scheibe A 6,4 DIN 125-ST (2 Stck.) |
| 327 | 0010 374 | 6kt.-Schraube M6x16 DIN 933 (2 Stck.) |
| 328 | 6155 150 | Zwischenwelle |
| 329 | 6155 179 | Riemenscheibe |
| 331 | 6155 178 | Riemenscheibe |
| 332 | 0016 311 | 6kt.-Mutter M6 (3 Stck.) |
| 348 | 0017 909 | Federring A8 DIN 127 |
| 349 | 0039 220 | Keilriemen 10x840 |

**Scooter OHV3 / SV4, Serie D, Messerantrieb,
Keilriemenkupplung**

| Bild-Nr. | Best.-Nr. | Bezeichnung |
|-----------------|------------------|---|
| 350 | 0028 775 | Passfeder |
| 351 | 6155 176 | Motorriemenscheibe |
| 352 | 0017 292 | Scheibe A10,5 |
| 353 | 6110 414 | Zyl. Schraube 3/8" 24 UNF ZA DIN 912-8,8 |
| 576 | 6155 131 | Riemenscheibe (OHV3) |
| 577 | 6155 164 | Doppelriemenscheibe (SV4) |
| 578 | 0010 334 | 6-kt. Schraube M8x45 DIN 933 (OHV3) |
| 579 | 6155 168 | Bundbolzen (SV4) |
| 580 | 6155 165 | Distanzbuchse |
| 581 | 0012 961 | Linsenschr. M5x25 DIN 7 (SV4) |
| 582 | 0017 287 | Scheibe A 5,3 (SV4) |
| 583 | 6155 306 | Bremsklotz (SV4) |
| 584 | 0016 310 | 6kt.-Mutter M5 (SV4) |
| 585 | 0017 110 | Scheibe 6,4/25+2 |
| 586 | 6155 035 | Spannrolle |
| 587 | 6155 917 | Spannrollenarm kpl. (EBG) incl. Bild-Nr. 585, 590 |
| 589 | 6155 447 | Zugfeder (SV4) |
| 589 | 6995 447 | Zugfeder (OHV3) |
| 590 | 0010 892 | Tuflok-Schraube |

english: see next page

Scooter OHV3 / SV4, Series D, Blade drive, Clutching belt

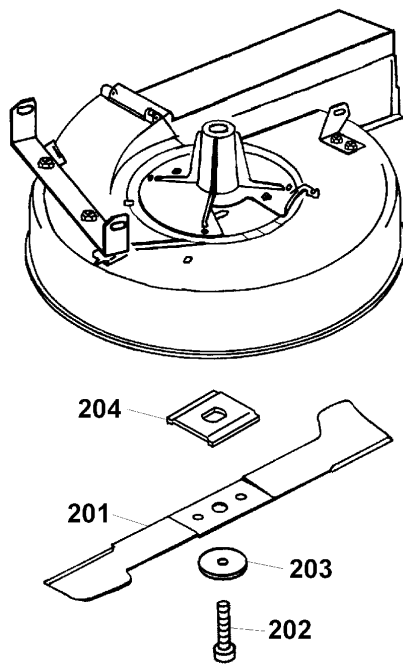
| Ref. No. | Part No. | Description |
|----------|--------------|---|
| | 67 6150 146 | bush |
| | 68 0010 338 | hex. screw M8x55 DIN 931 (2 pieces) |
| | 214 6150 168 | tension spring |
| | 215 6155 025 | idler arm |
| | 216 6150 165 | spacer bush |
| | 217 0017 289 | washer A6 4x18 DIN 9021 |
| | 218 0023 091 | bearing (2 pieces) |
| | 219 6155 151 | idler pulley |
| | 220 0016 385 | hex. nut M8 (2 pieces) |
| | 224 0028 772 | feather key A6x6x22 DIN 6885 (2 pieces) |
| | 228 0017 111 | washer 8,4 (2 pieces) |
| | 229 0011 359 | screw M8x22 (2 pieces) |
| | 232 0023 224 | bearing (2 pieces) |
| | 234 0039 216 | v-belt SPZ 955 LW/ZK/M2 |
| | 301 0011 352 | screw M8x55 DIN 912-8 (SV4 only) |
| | 303 0016 312 | nut (SV4 only) |
| | 309 0017 291 | washer A8,4-DIN 9021 (OHV3 only) |
| | 310 6150 029 | pedal, blade engagement, (SV4 only) |
| | 311 6150 448 | footplate (SV4 only) |
| | 312 6150 444 | torsion spring (SV4 only) |
| | 314 0017 291 | washer A8,4-DIN 9021 (2 pieces) |
| | 316 6155 448 | bowen wire, cutting pan mower housing |
| | 325 6155 152 | flange |
| | 326 0017 121 | washer A 6,4 DIN 125-ST (2 pieces) |
| | 327 0010 374 | hex. screw M6x16 DIN 933 (2 pieces) |
| | 328 6155 150 | intermediate shaft |
| | 329 6155 179 | v-belt pulley |
| | 331 6155 178 | v-belt pulley |
| | 332 0016 311 | hex. nut M6 (3 pieces) |
| | 348 0017 909 | spring washer A8 DIN 127 |
| | 349 0039 220 | v-belt 10x840 |

**Scooter OHV3 / SV4, Series D, Blade drive,
Clutching belt**

| Ref. No. | Part No. | Description |
|----------|----------|--------------------------------------|
| 350 | 0028 775 | feather key |
| 351 | 6155 176 | v-belt pulley (motor) |
| 352 | 0017 292 | washer A10,5 |
| 353 | 6110 414 | screw 3/8" 24 UNF ZA DIN 912-8,9 |
| 576 | 6155 131 | v-belt pulley (OHV3 only) |
| 577 | 6155 164 | double v-belt pulley (SV4 only) |
| 578 | 0010 334 | hex. screw M8x45 DIN 933 (OHV3 only) |
| 579 | 6155 168 | flange bolt (SV4 only) |
| 580 | 6155 165 | spacer bush |
| 581 | 0012 961 | screw M5x25 DIN 7 (SV4 only) |
| 582 | 0017 287 | washer A 5,3 (SV4 only) |
| 583 | 6155 306 | brake pad (SV4 only) |
| 584 | 0016 310 | hex. nut M5 (SV4 only) |
| 585 | 0017 110 | washer 6,4/25+2 |
| 586 | 6155 035 | idler pulley |
| 587 | 6155 917 | idler arm incl. ref. no. 585, 590 |
| 589 | 6155 447 | tension spring (SV4 only) |
| 589 | 6995 447 | tension spring (OHV3 only) |
| 590 | 0010 892 | screw |

D Scooter SV4, Serie D, Messer

GB Scooter SV4, Series D, Cutter bar



Scooter SV4, Serie D, Messer

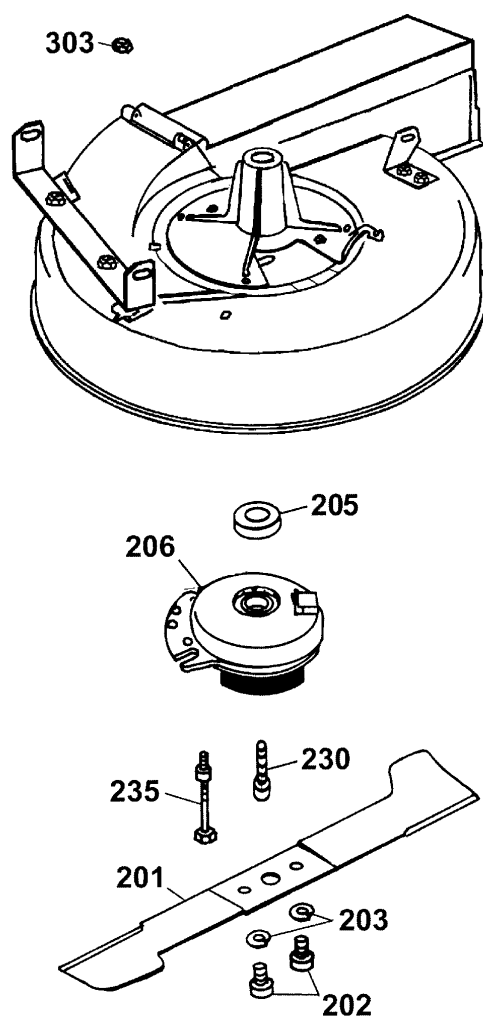
| Bild-Nr. | Best.-Nr. | Bezeichnung |
|----------|-----------|------------------------|
| 201 | 6155 400 | Messerbalken |
| 202 | 0011 420 | Zyl. Schraube M10x1x30 |
| 203 | 6150 441 | Scheibe |
| 204 | 6150 427 | Mitnahmescheibe |

english: see next page

Scooter SV4, Series D, Cutter bar

| Ref. No. | Part No. | Description |
|-----------------|-----------------|--------------------|
| 201 | 6155 400 | cutter bar |
| 202 | 0011 420 | screw M10x1x30 |
| 203 | 6150 441 | washer |
| 204 | 6150 427 | drive washer |

- Ⓓ Scooter OHV3, Serie D, Kupplung, Messer
- ⒼⒷ Scooter OHV3, Series D, Clutch, Cutter bar



Scooter OHV3, Serie D, Kupplung, Messer

| Bild-Nr. | Best.-Nr. | Bezeichnung |
|----------|-----------|---|
| 201 | 6155 400 | Messerbalken |
| 202 | 0010 354 | 6kt.-Schraube M10x30 DIN 6912 (2 Stck.) |
| 203 | 0017 911 | Federring (2 Stck.) |
| 205 | 6995 317 | Dichtung EMC-Kupplung |
| 206 | 1096 050 | EMC Kupplung (OHV3) |
| 230 | 6150 174 | Zyl. Schraube 3/8" |
| 235 | 6995 120 | Bolzen (OHV3) |
| 303 | 0016 312 | Stopmutter (OHV3) |

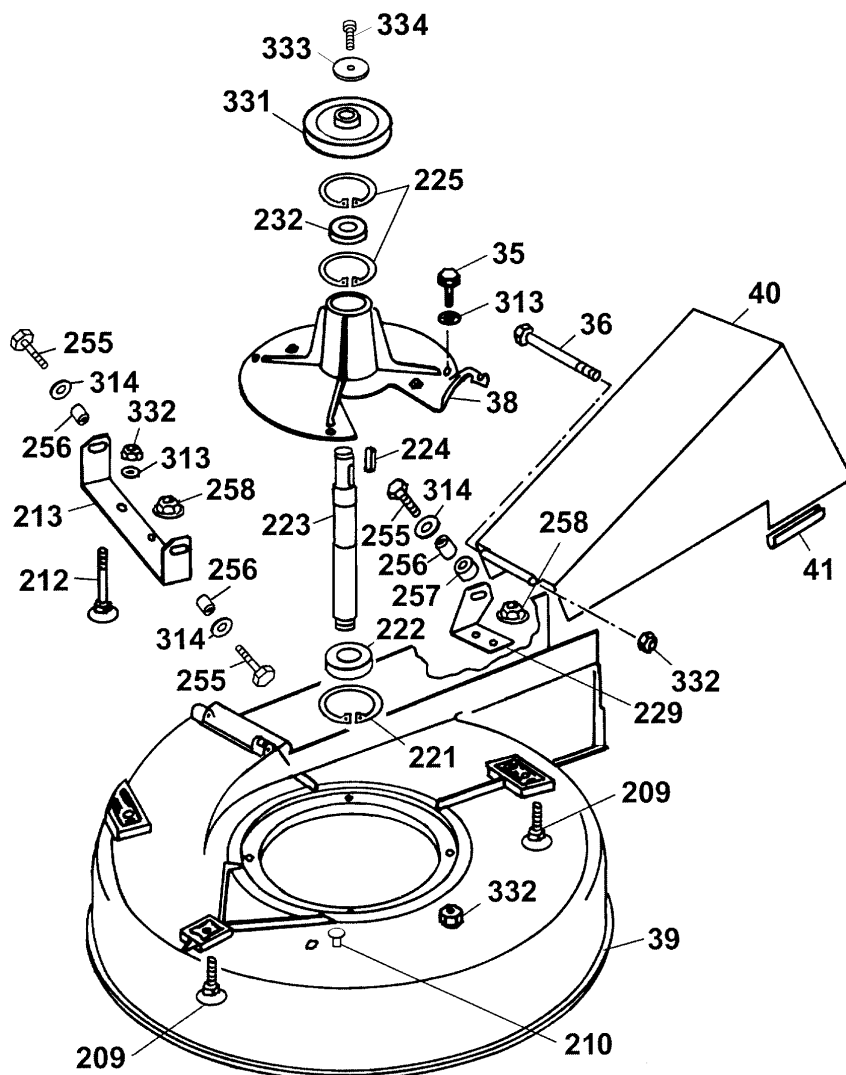
english: see next page

Scooter OHV3, Series D, Clutch, Cutter bar

| Ref. No. | Part No. | Description |
|----------|----------|---|
| 201 | 6155 400 | cutter bar |
| 202 | 0010 354 | hex. screw M10x30 DIN 6912 (2 pieces) |
| 203 | 0017 911 | spring washer (2 pieces) |
| 205 | 6995 317 | seal for electromagnetic blade brake/clutch |
| 206 | 1096 050 | blade brake/clutch, electromagnetic |
| 230 | 6150 174 | screw 3/8" |
| 235 | 6995 120 | bolt |
| 303 | 0016 312 | stop nut |

(D) Scooter OHV3 / SV4, Serie D, Mähwerk

(GB) Scooter OHV3 / SV4, Series D, Mower housing



Scooter OHV3 / SV4, Serie D, Mähwerk

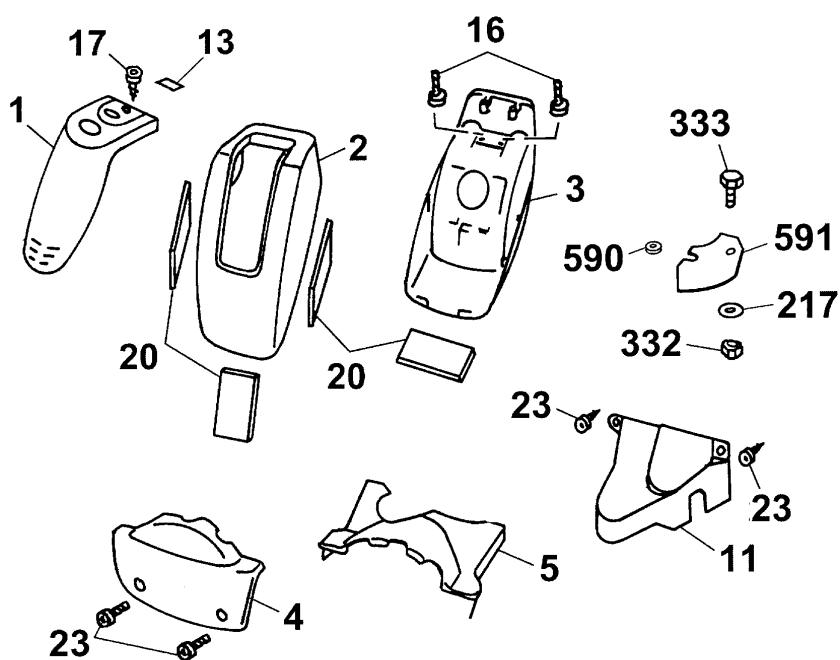
| Bild-Nr. | Best.-Nr. | Bezeichnung |
|----------|-----------|-----------------------------------|
| 35 | 0010 365 | Schraube M6x12 (4 Stck.) |
| 36 | 0010 341 | 6kt.-Schraube M6x120 DIN 931 |
| 38 | 6155 140 | Lagerflansch |
| 39 | 6155 436 | Gehäuse |
| 40 | 6150 424 | Auswurfkanal |
| 41 | 6155 432 | Kantenschutz |
| 209 | 0013 641 | Flachrundschaube M6x30 (3 Stck.) |
| 210 | 6155 319 | Verschlussstopfen |
| 212 | 0013 645 | Flachrundschaube M6x55 DIN 603 |
| 213 | 6155 138 | U-Profil |
| 221 | 0021 052 | Sicherungsring |
| 222 | 0023 225 | Rillenkugellager |
| 223 | 6155 182 | Messerwelle (SV4) |
| 223 | 6995 479 | Messerwelle (OHV3) |
| 224 | 0028 772 | Passfeder |
| 225 | 0021 115 | Sicherungsring (2 Stck.) |
| 229 | 6155 136 | Winkel |
| 232 | 0023 224 | Rillenkugellager |
| 255 | 0010 336 | Schraube (3 Stck.) |
| 256 | 6155 476 | Kunststoffbuchse (3 Stck.) |
| 257 | 6155 135 | Messingbuchse |
| 258 | 0016 386 | 6kt.-Mutter M6 DIN 6926 (3 Stck.) |
| 313 | 0017 121 | Scheibe 6,4 DIN 125 (2 Stck.) |
| 314 | 0017 291 | Scheibe AB, 4, DIN 9021 (3 Stck.) |
| 331 | 6155 131 | Riemenscheibe |
| 332 | 0016 311 | 6kt.-Mutter M6 DIN 985 (6 Stck.) |
| 333 | 0017 111 | Scheibe 8,4 |
| 334 | 0011 359 | Zylinderschraube M8x22 |

english: see next page

Scooter OHV3 / SV4, Series D, Mower housing compl.

| Ref. No. | Part No. | Description |
|----------|----------|-----------------------------------|
| 35 | 0010 365 | screw M6x12 (4 pieces) |
| 36 | 0010 341 | hex. screw M6x120 DIN 931 |
| 38 | 6155 140 | flange |
| 39 | 6155 436 | deck housing |
| 40 | 6150 424 | discharge chute |
| 41 | 6155 432 | header |
| 209 | 0013 641 | screw M6x30 (3 pieces) |
| 210 | 6155 319 | plug |
| 212 | 0013 645 | screw M6x55 DIN 603 |
| 213 | 6155 138 | U-profile |
| 221 | 0021 052 | circlip |
| 222 | 0023 225 | bearing |
| 223 | 6155 182 | cutter bar shaft (SV4 only) |
| 223 | 6995 479 | cutter bar shaft (OHV3 only) |
| 224 | 0028 772 | feather key |
| 225 | 0021 115 | circlip (2 pieces) |
| 229 | 6155 136 | angle |
| 232 | 0023 224 | bearing |
| 255 | 0010 336 | screw (3 pieces) |
| 256 | 6155 476 | plastic bush (3 pieces) |
| 257 | 6155 135 | brass bush |
| 258 | 0016 386 | hex. nut M6 DIN 6926 (3 pieces) |
| 313 | 0017 121 | washer 6,4 DIN 125 (2 pieces) |
| 314 | 0017 291 | washer A8, 4, DIN 9021 (3 pieces) |
| 331 | 6155 131 | v-belt pulley (OHV3 only) |
| 332 | 0016 311 | nut M6 DIN 985 (6 pieces) |
| 333 | 0017 111 | washer 8,4 |
| 334 | 0011 359 | screw M8x22 |

- Ⓓ Scooter OHV3 / SV4, Serie D, Vordere Verkleidungen, Abdeckungen
- ⒼⒷ Scooter OHV3 / SV4, Series D, Front panles, Covers



Scooter OHV3 / SV4, Serie D, Vordere Verkleidungen, Abdeckungen

| Bild-Nr. | Best.-Nr. | Bezeichnung |
|----------|-----------|---------------------------------------|
| 1 | 6155 302 | Armaturentafel |
| 2 | 6150 301 | Oberschale, rot |
| *** | 0051 123 | WOLF-Garten, Etikett (120 mm) |
| *** | 0051 122 | WOLF-Garten Etikett (85 mm) |
| *** | 6150 207 | Etikett Scooter (100 mm, 2 Stck.) |
| *** | 6990 205 | Produkt Etikett "Scooter" |
| 3 | 6150 300 | Unterschale, rot |
| 4 | 6150 312 | Frontverkleidung vorn, rot |
| 5 | 6155 316 | Frontverkleidung hinten, rot |
| 11 | 6155 304 | Keilriemenabdeckung vorne, rot |
| 13 | 6155 200 | Etikett, Bedien-Schlüssel |
| 16 | 0010 893 | Schraube (2 Stck.) |
| 17 | 0012 625 | Torx-Schraube |
| 20 | 6150 330 | Schaumstoffzuschnitt (4 Stck.) |
| 23 | 0015 820 | Torx-Schraube 2x13 DIN 7981 (2 Stck.) |
| 217 | 0017 289 | Scheibe A6 4x18 DIN 9021 |
| 332 | 0016 311 | 6 kt. Mutter M6 DIN 985 |
| 333 | 0010 377 | 6 kt. Schraube M6x20 DIN 933 |
| 590 | 3576 214 | Tülle |
| 591 | 6155 188 | Verschlussblech, lackiert |

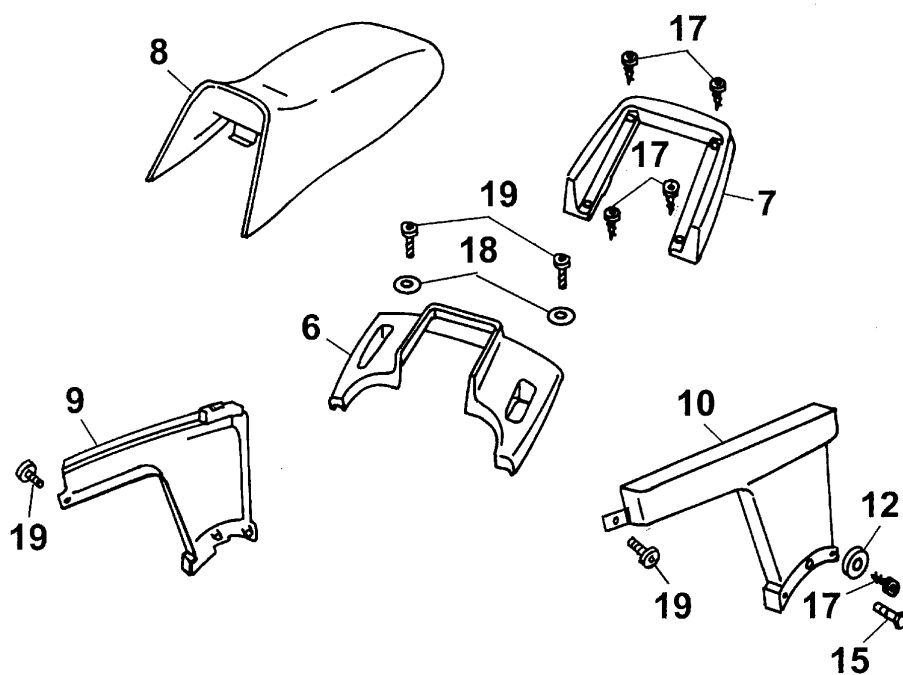
english: see next page

Scooter OHV3 / SV4, Series D, Front panels, Covers

| Ref. No. | Part No. | Description |
|----------|----------|------------------------------------|
| 1 | 6155 302 | centre nose panel |
| 2 | 6150 301 | upper nose panel, red |
| *** | 0051 123 | "WOLF-Garten" label (120 mm) |
| *** | 0051 122 | "WOLF-Garten" label (85 mm) |
| *** | 6150 207 | "Scooter" label (100 mm, 2 pieces) |
| *** | 6990 205 | "Scooter" label |
| 3 | 6150 300 | lower nose panel, red |
| 4 | 6150 312 | front panel, red |
| 5 | 6155 316 | rear panel, red |
| 11 | 6155 304 | front v-belt cover, red |
| 13 | 6155 200 | "key" label |
| 16 | 0010 893 | screw (2 pieces) |
| 17 | 0012 625 | screw |
| 20 | 6150 330 | foamed material (4 pieces) |
| 23 | 0015 820 | screw 2x13 DIN 7981 (2 pieces) |
| 217 | 0017 289 | washer A6 4x18 DIN 9021 |
| 332 | 0016 311 | hex. nut M6 DIN 985 |
| 333 | 0010 377 | hex. screw M6x20 DIN 933 |
| 590 | 3576 214 | socket |
| 591 | 6155 188 | closing sheet metal, lacquered |

Ⓓ Scooter OHV3 / SV4, Serie D, Hintere Verkleidungen,
Sitz

ⒼⒷ Scooter OHV3 / SV4, Series D, Rear panels, Seat



**Scooter OHV3 / SV4, Serie D,
Hintere Verkleidungen, Sitz**

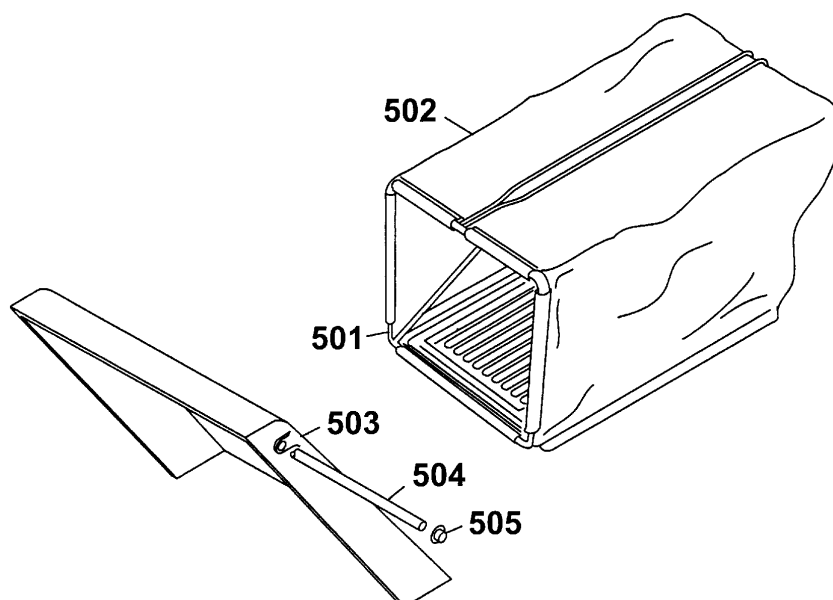
| Bild-Nr. | Best.-Nr. | Bezeichnung |
|-----------------|------------------|---------------------------------|
| 6 | 6150 311 | Heckschale, rot |
| 7 | 6150 310 | Sitzverkleidung, rot |
| 8 | 6155 055 | Sitz |
| 9 | 6150 308 | Heckverkleidung rechts, rot |
| 10 | 6150 309 | Heckverkleidung links, rot |
| 12 | 0017 120 | Scheibe (4 Stck.) |
| 15 | 0010 890 | Schraube (2 Stck.) |
| 17 | 0012 625 | Torx-Schraube (6 Stck.) |
| 18 | 0017 286 | Scheibe B4,3 DIN 9021 (2 Stck.) |
| 19 | 0015 821 | Schraube (4 Stck.) |

englisch: see next page

Scooter OHV3 / SV4, Series D, Rear panels, Seat

| Ref. No. | Part No. | Description |
|----------|----------|---------------------------------|
| 6 | 6150 311 | upper rear panel, red |
| 7 | 6150 310 | seat cladding, red |
| 8 | 6155 055 | seat |
| 9 | 6150 308 | rear panel, right, red |
| 10 | 6150 309 | rear panel, left, red |
| 12 | 0017 120 | washer (4 pieces) |
| 15 | 0010 890 | screw (2 pieces) |
| 17 | 0012 625 | screw (6 pieces) |
| 18 | 0017 286 | washer B4,3 DIN 9021 (2 pieces) |
| 19 | 0015 821 | screw (4 pieces) |

- Ⓓ Scooter OHV3 / SV4, Serie D, Fangsack, Heckklappe
- ⒼⒷ Scooter OHV3 / SV4, Series D, Grass collector,
Rear flap



Scooter OHV3 / SV4, Serie D, Fangsack, Heckklappe

| Bild-Nr. | Best.-Nr. | Bezeichnung |
|----------|-----------|---|
| 501 | 6150 064 | Fangsackgestell |
| 502 | 6150 320 | Gewebetuch |
| 503* | 6150 091 | Heckklappe kpl. mit Bild-Nr. 504*-505* |
| 504 | 6150 469 | Rundstab |
| 505 | 3575 503 | Achskappe |
| *** | 6150 201 | Bedienetikett, Getriebe |
| *** | 6150 202 | Bedienetikett, Höhenverstellung |
| *** | 6150 203 | Bedienetikett, Messerkupplung (SV4) |
| *** | 6150 206 | Etikett, Schlüsselschalter |
| *** | 0051 232 | Sicherheitsetikett / Pictogramm |
| *** | 0051 235 | Sicherheitsetikett, Fangkorb + Anfahren |
| *** | 6150 916 | Schlüsselanhänger / Schiebehilfe |
| *** | 0054 318 | Gebrauchsanweisung SV4 / OHV 3 |
| *** | 6150 046 | <u>Polybeutel mit Kleinteilen, bestehend aus:</u> |
| *** | 6150 182 | Scheibe (2 Stck.) |
| *** | 0016 311 | Mutter M6 |
| *** | 0010 301 | Schraube M6x35 |
| *** | 6150 108 | Schlüssel |
| *** | 6150 109 | Ersatzschlüssel |

* Heckklappe gehört nicht zum Lieferumfang, nur als Zubehör erhältlich.

english: see next page

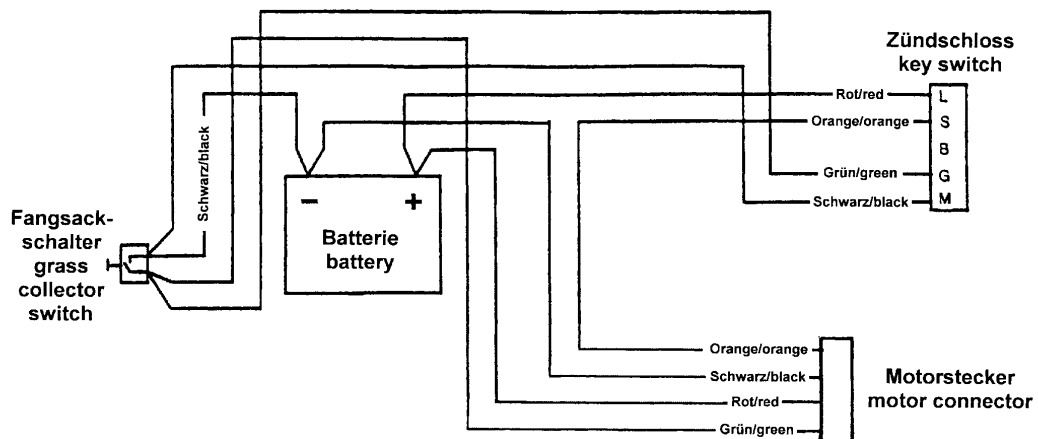
Scooter OHV3 / SV4, Series D, Grass collector, Rear flap

| Ref. No. | Part No. | Description |
|----------|----------|---|
| 501 | 6150 064 | catcher frame |
| 502 | 6150 320 | catcher cloth |
| 503* | 6150 091 | rear flap incl. ref. no. 504*-505* |
| 504 | 6150 469 | round rod |
| 505 | 3575 503 | retainer |
| *** | 6150 201 | decal, gearchange |
| *** | 6150 202 | decal, cutting height adjustment |
| *** | 6150 203 | decal, blade drive engagement (SV4 only) |
| *** | 6150 206 | decal, keyswitch |
| *** | 0051 232 | decal, fety pictogram |
| *** | 0051 235 | safety label, grassbox + drive |
| *** | 6150 916 | key hook |
| *** | 0054 318 | operator manual SV4 / OHV3 |
| *** | 6150 046 | <u>hardware kit of fasteners etc., consisting of:</u> |
| *** | 6150 182 | dished washer (2 pieces) |
| *** | 0016 311 | nut M6 |
| *** | 0010 301 | screw M6x35 |
| *** | 6150 108 | key |
| *** | 6150 109 | spare key |

* rear flap optional extra

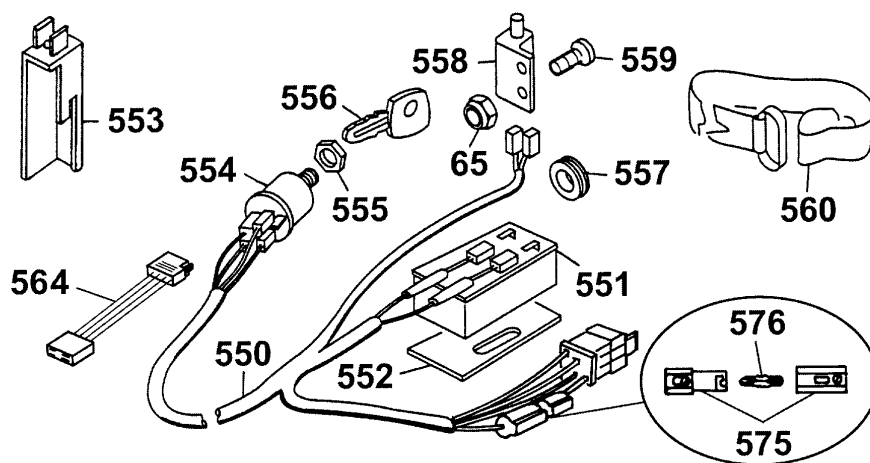
D Scooter SV4, Serie D, Schaltplan

GB Scooter SV4, Series D, Connection diagram



D Scooter SV4, Serie D, Kabelbaum

GB Scooter SV4, Series D, Cable form



Scooter SV4, Serie D, Kabelbaum

| Bild-Nr. | Best.-Nr. | Bezeichnung |
|----------|-----------|---|
| 65 | 0016 309 | Mutter (2 Stck.) |
| 550 | 6150 060 | Kabelbaum kpl. |
| 551 | 6150 075 | Accupaket 12 V / 7 Ah |
| *** | 6150 070 | Schnelladegerät SLG-S (Zubehör) |
| 552 | 6150 331 | Auflagegummi |
| 553 | 6150 329 | Schutzkappe für Bild-Nr. 558 |
| 554 | 6150 051 | Schlüsselschalter kpl. mit Bild-Nr. 555 |
| 555 | 6150 471 | Mutter |
| 556 | 6150 108 | Schlüssel |
| 556 | 6150 109 | Ersatzschlüssel |
| 557 | 4730 106 | Kabeldurchführung |
| 558 | 6150 061 | Fangkorbschalter |
| 559 | 0010 931 | SF-Schraube M5x12 (2 Stck.) |
| 560 | 6150 216 | Klettverschluss |
| 564 | 2057 058 | Adapter B&S 4-polig |
| 575 | 6150 904 | Sicherungsgehäuse |
| 576 | 6150 903 | Sicherung 8 Amp. |

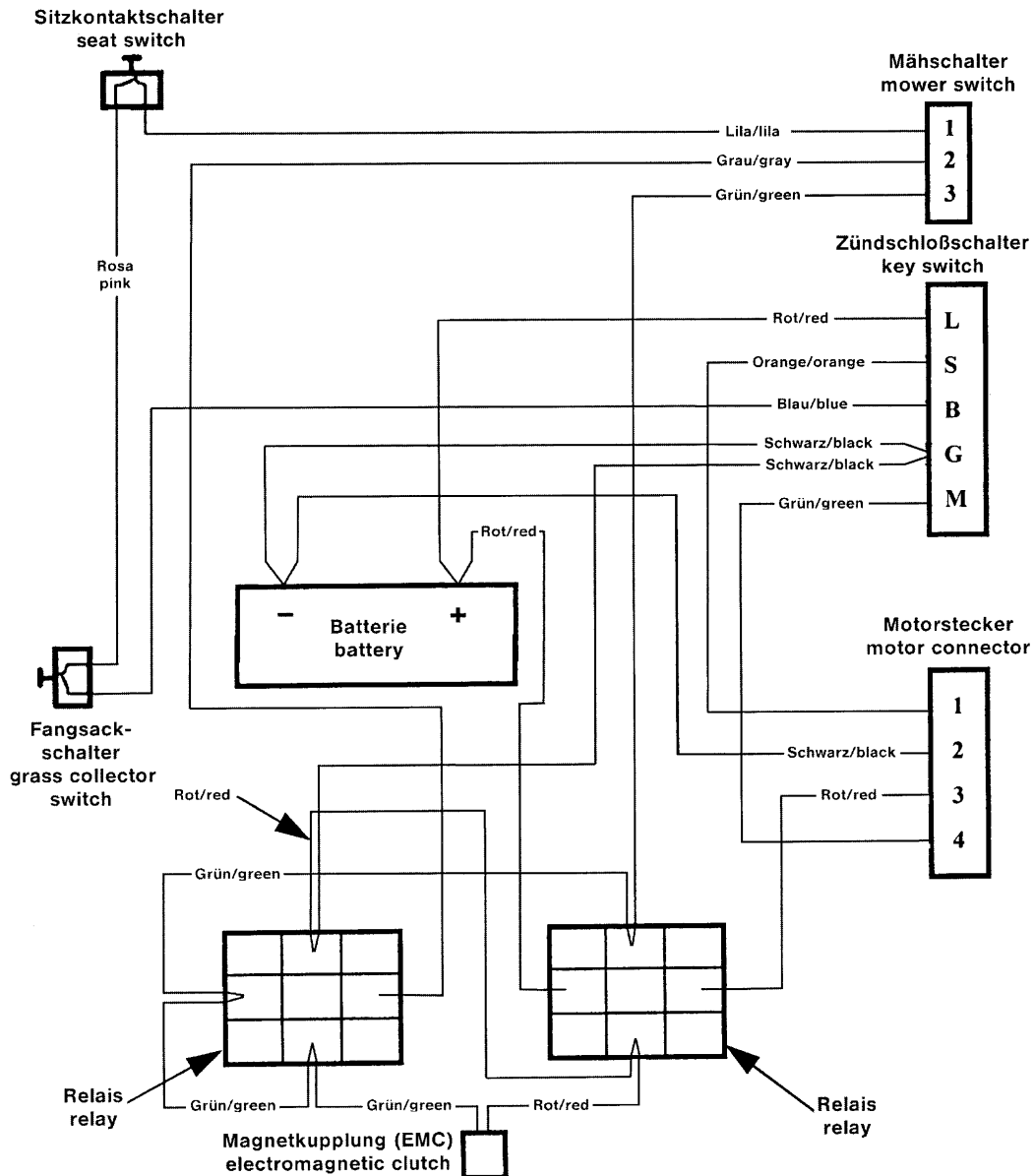
english: see next page

Scooter SV4, Series D, Cable form

| Ref. No. | Part No. | Description |
|----------|----------|--------------------------------------|
| 65 | 0016 309 | nut (4 pieces) |
| 550 | 6150 060 | cable form compl. |
| 551 | 6150 075 | seal battery 12 V / 7 Ah |
| *** | 6150 070 | boost charger SLG-S (optional extra) |
| 552 | 6150 331 | rubber pad |
| 553 | 6150 329 | cover for switch (ref. no. 558) |
| 554 | 6150 051 | key switch compl. incl. ref. no. 555 |
| 555 | 6150 471 | nut |
| 556 | 6150 108 | key |
| 556 | 6150 109 | spare key |
| 557 | 4730 106 | grommet |
| 558 | 6150 061 | grass collector switch |
| 559 | 0010 931 | screw M5x12 (2 pieces) |
| 560 | 6150 216 | clamping strap |
| 564 | 2057 058 | adapter B&S four-pole |
| 575 | 6150 904 | case for fuse |
| 576 | 6150 903 | fuse, 8 Ampere |

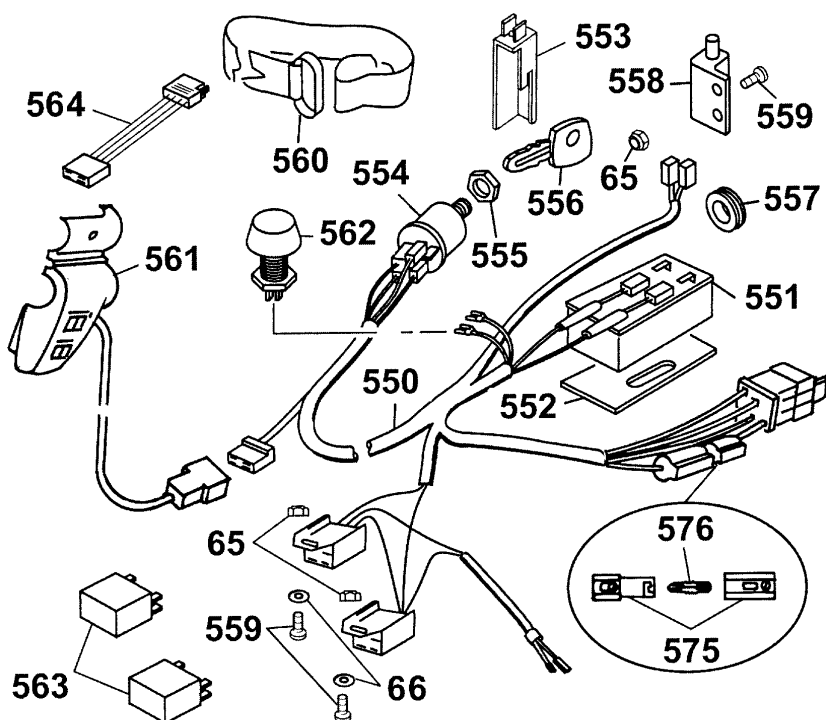
D Scooter OHV3, Serie D, Schaltplan

GB Scooter OHV3, Series D, Connection diagram



D Scooter OHV3, Serie D, Kabelbaum

GB Scooter OHV3, Series D, Cable form



Scooter OHV3, Serie D, Kabelbaum

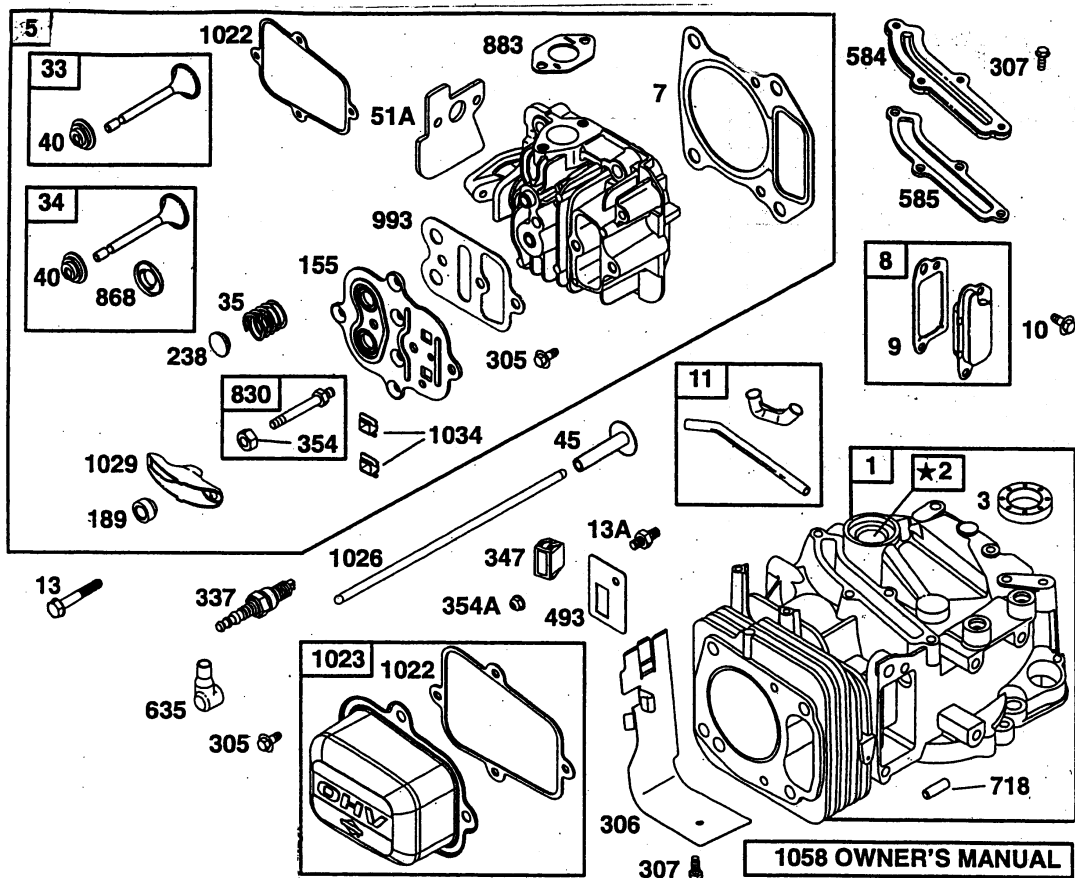
| Bild-Nr. | Best.-Nr. | Bezeichnung |
|----------|-----------|---|
| 65 | 0016 309 | Mutter (4 Stck.) |
| 66 | 0017 119 | Scheibe A 4,3 (2 Stck.) |
| 550 | 6995 055 | Kabelbaum kpl. |
| 551 | 4911 055 | Accupaket 12 V / 12 Ah |
| *** | 6150 070 | Schnelladegerät SLG-S (Zubehör) |
| 552 | 6150 331 | Auflagegummi |
| 553 | 6150 329 | Schutzkappe für Pos. 558 |
| 554 | 6150 051 | Schlüsselschalter kpl. mit Bild-Nr. 555 |
| 555 | 6150 471 | Mutter |
| 556 | 6150 108 | Schlüssel |
| 556 | 6150 109 | Ersatzschlüssel |
| 557 | 4730 106 | Kabeldurchführung |
| 558 | 6990 061 | Fangkorbschalter |
| 559 | 0010 931 | SF-Schraube M5x12 (2 Stck.) |
| 560 | 6150 216 | Klettverschluss |
| 561 | 6990 053 | Tastschalter |
| 562 | 6990 062 | Sitzkontaktschalter |
| 563 | 6155 110 | Kleinrelais (2 Stck.) |
| 564 | 2057 058 | Adapter B&S 4-polig |
| 575 | 6150 904 | Sicherungsgehäuse |
| 576 | 6150 903 | Sicherung 8 Amp. |

english: see next page

Scooter OHV3, Series D, Cable form

| Ref. No. | Part No. | Description |
|----------|----------|--------------------------------------|
| 65 | 0016 309 | nut (4 pieces) |
| 66 | 0017 119 | washer A 4,3 (2 pieces) |
| 550 | 6995 055 | cable form compl. |
| 551 | 4911 055 | seal battery, 12V / 12Ah |
| *** | 6150 070 | boost charger SLG-S (optional extra) |
| 552 | 6150 331 | rubber pad |
| 553 | 6150 329 | cover for switch (ref. no. 558) |
| 554 | 6150 051 | key switch compl. incl. ref. no. 555 |
| 555 | 6150 471 | nut |
| 556 | 6150 108 | key |
| 556 | 6150 109 | spare key |
| 557 | 4730 106 | grommet |
| 558 | 6990 061 | switch, for grass catcher |
| 559 | 0010 931 | screw M5x12 (2 pieces) |
| 560 | 6150 216 | clamping strap |
| 561 | 6990 053 | push-button switch |
| 562 | 6990 062 | seat contact switch |
| 563 | 6155 110 | relay (2 pieces) |
| 564 | 2057 058 | adapter B&S four-pole |
| 575 | 6150 904 | case for fuse |
| 576 | 6150 903 | fuse, 8 Ampere |

Intek 60 ZylindergehÄuse
Intek 60 cylinder assembly



Intek 60 ZylindergehÄuse
Intek 60 Cylinder assembly

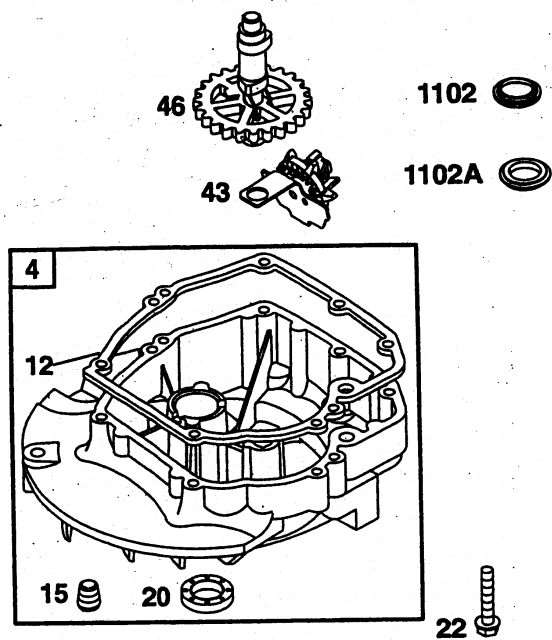
| Bild-Nr. / Ref. No. | Best.-Nr. / Part No. | Bezeichnung | Description | Part No. B & S |
|------------------------|-------------------------|----------------------|-----------------------|-------------------|
| 1 | 2057 404 | Zylinder kpl. | cylinder assembly | 499678 |
| 2 | 2059 102 | Rep.-Kit-oben | kit-bushing/seal | 399269 |
| 3 | 2057 352 | Simmering | seal-oil magneto side | 299819 |
| 5 | 2057 402 | Zylinderkopf kpl. | head-cylinder | 499643 |
| 7 | 2057 367 | Zylinderkopfdichtung | gasket-cylinder head | 273240 |
| 8 | 2059 300 | EntlÄfter kpl. | breather assembly | 495786 |
| 9 | 2058 301 | Dichtung | gasket-breather | 272481 |
| 10 | 2057 137 | Schraube | screw | 94955 |
| 11 | 2057 403 | EntlÄfterrohr | tube-breather | 499675 |
| 13 | 2057 139 | Schraube | screw | 95049 |
| 13A | 2057 135 | Schraube | screw | 94915 |
| 33 | 2057 401 | Auslaßventil | valve-exhaust | 499642 |
| 34 | 2057 400 | Einlaßventil kpl. | valve-intake | 499641 |
| 35 | 2057 121 | Ventilfeder | spring-vave | 263149 |
| 40 | 1034 217 | Ventilteller | retainer-valve | 93312 |
| 45 | 2057 156 | Ventilstößel | tappet-valve | 262679 |
| 51A | 2057 360 | Dichtung | screw | 273916 |
| 155 | 2057 126 | Platte, Zylinderkopf | plate-cylinder head | 225325 |
| 189 | 2057 160 | Einstellschraube | adjusterscrew | 263108 |
| 238 | 2057 161 | Ventilkappe | cap-valve | 263131 |
| 305 | 2057 106 | 6kt.-Schraube | screw | 94744 |
| 306 | 2057 133 | Zylinderschild | shield-cylinder | 225366 |
| 307 | 2063 120 | Schraube | screw | 94515 |
| 337 | 2063 218 | Zündkerze | plug-spark | 692720 |
| 347 | 2057 051 | Schalter | switsch-rocker | 498984 |
| 354 | 2057 113 | Mutter | nut | 94137 |
| 354A | 2057 115 | Mutter | nut | 95171 |
| 493 | 2057 136 | Halter | bracket-mounting | 225498 |

Intek 60 ZylindergehÄuse
Intek 60 Cylinder assembly

| Bild-Nr. / Ref. No. | Best.-Nr. / Part No. | Bezeichnung | Description | Part No. B & S |
|--------------------------------|---------------------------------|-----------------------|---------------------|-------------------------------|
| 584 | 2063 122 | EntlÄfterdeckel | cover-breather | 224328 |
| 585 | 2063 209 | Dichtung | gasket-breather | 272238 |
| 635 | 1034 435 | ZÄndkerzenstecker | boot-spark plug | 66538 |
| 718 | 2057 117 | Paßstift | pin-locating | 230192 |
| 830 | 2057 122 | Stehbolzen mit Mutter | adjuster-rocker arm | 499756 |
| 868 | 2057 366 | Ventildichtung | seal-valve | 498592 |
| 883 | 2057 350 | Auslaßdichtung | gasket-exhaust | 273348 |
| 993 | 2057 357 | Dichtung | gasket-head plate | 273346 |
| 1022 | 2057 356 | Dichtung | gasket-rocker cover | 273241 |
| 1023 | 2057 307 | KipphebelgehÄuse | cover-rocker | 499624 |
| 1026 | 2057 129 | Welle | rod-push | 498597 |
| 1029 | 2057 125 | Kipphebel | arm-rocker | 225246 |
| 1034 | 2057 154 | FÄhrung | guide-push rod | 281621 |
| 1058 | 2057 165 | Gebrauchsanweisung | owner´s manual | 273323 |

NR:6155 000 Bezeichnung: Scooter SV 4 Gruppe: AufsitzmÄrher Jahr: 03 Typ: D

Intek 60 Ölwanne
Intek 60 Sump-Engine



J26

□

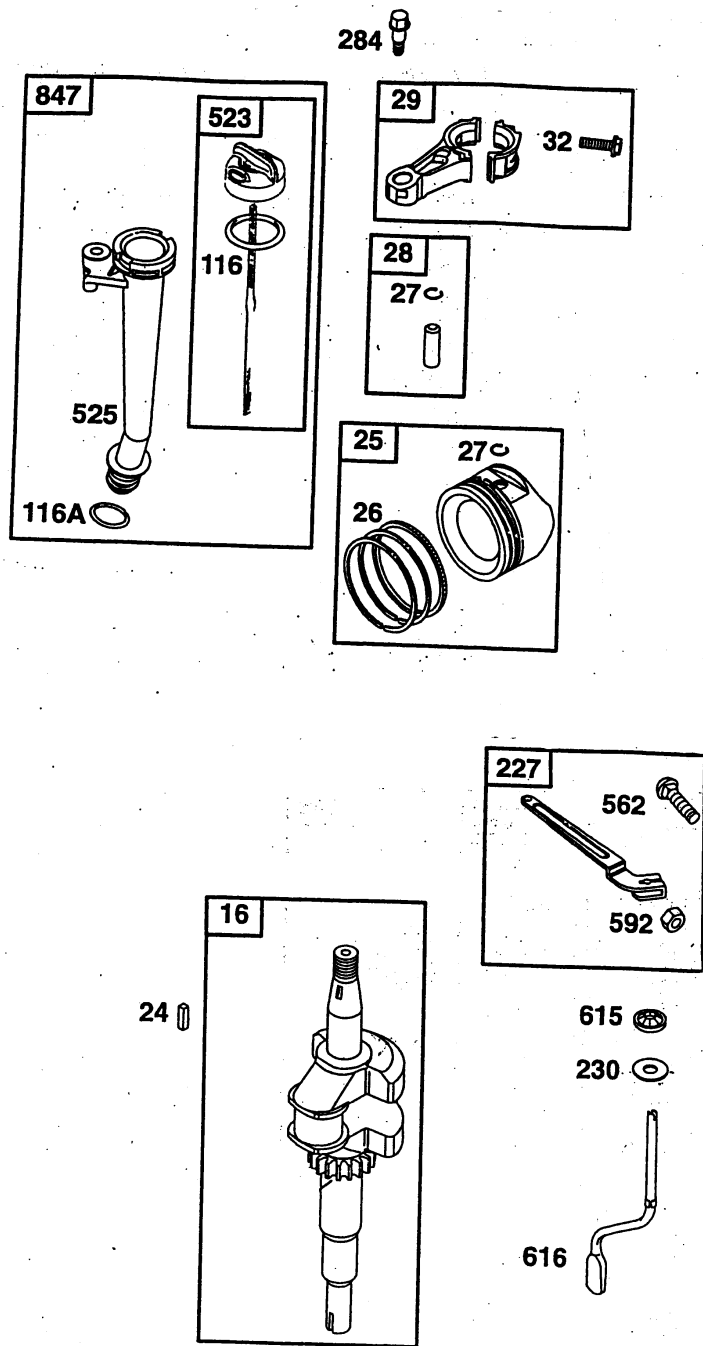
Intek 60 Ölwanne
Intek 60 Sump-Engine

| Bild-Nr. / Ref. No. | Best.-Nr. / Part No. | Bezeichnung | Description | Part No. B & S |
|--------------------------------|---------------------------------|--------------------|----------------------|-------------------------------|
| 4 | 2057 314 | Ölwanne kpl. | sump-engine | 499619 |
| 12 | 2063 107 | Dichtung | gasket-crankcase | 272198 |
| 15 | 2059 204 | Ölablaßschraube | plug-oil drain | 94720 |
| 20 | 2063 112 | Simmering | seal-oil | 399781 |
| 22 | 2063 113 | Schraube | screw | 94220 |
| 43 | 2063 206 | Regler kpl. | slinger-governor/oil | 493737 |
| 46 | 2057 127 | Nockenwelle | camshaft | 499749 |
| 1102 | 2057 118 | Ring | pilot-guide | 232047 |
| 1102A | 2057 119 | Ring | pilot-guide | 232153 |

□

NR:6155 000 Bezeichnung: Scooter SV 4 Gruppe: AufsitzmÄrher Jahr: 03 Typ: D

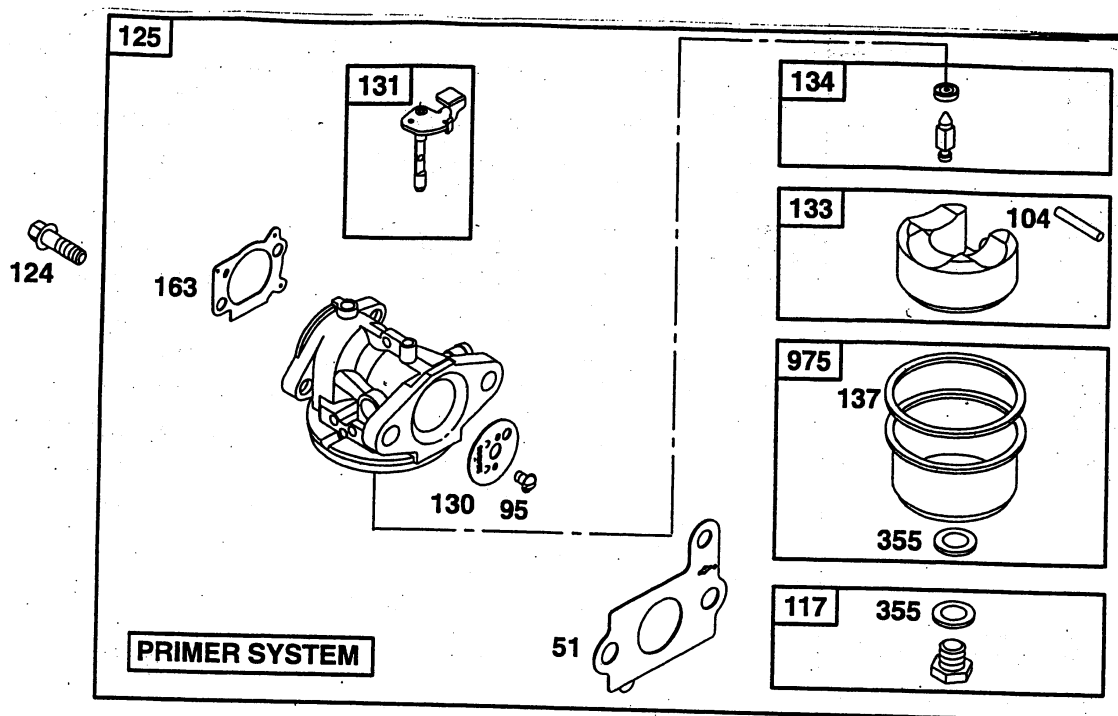
Intek 60 Kurbelwelle / Kolben
Intek 60 crankshaft / piston assembly



Intek 60 Kurbelwelle, Kolben
Intek 60 Crankshaft, Piston assembly

| Bild-Nr. / Ref. No. | Best.-Nr. / Part No. | Bezeichnung | Description | Part No. B & S |
|------------------------|-------------------------|--------------------|-----------------|-------------------|
| 16 | 2057 191 | Kurbelwelle | crankshaft | 498615 |
| 24 | 2057 130 | Schwungradkeil | key-flywheel | 222698 |
| 25 | 2057 015 | Kolben kpl. | piston assembly | 499627 |
| 26 | 2057 016 | Kolbenringsatz | ring set | 499631 |
| 27 | 2057 164 | Sicherungsring | lock-piston pin | 263190 |
| 28 | 2057 195 | Kolbenbolzen kpl. | pin-piston | 499423 |
| 29 | 2057 196 | Pleuel kpl. | rod-connecting | 499424 |
| 32 | 2059 115 | Schraube | screw | 94699 |
| 116 | 2063 211 | O-Ring/Meßstab | o-ring | 280393 |
| 116A | 2063 216 | O-Ring/Ölrohr | o-ring | 280966 |
| 227 | 2057 187 | Reglerhebel kpl. | lever-governor | 498772 |
| 230 | 2063 116 | Scheibe | | 67072 |
| 284 | 2063 316 | Schraube | screw | 94511 |
| 523 | 2057 189 | Peilstab | dipstick | 499621 |
| 525 | 2063 212 | Füllrohr | tube-dipstick | 495265 |
| 562 | 2057 134 | Schraube | screw | 94907 |
| 592 | 2063 123 | Mutter | nut | 231082 |
| 615 | 2063 125 | Mutter | nut | 94474 |
| 616 | 2057 163 | Reglerarm | crank-governor | 263175 |
| 847 | 2057 010 | Öleinfüllrohr kpl. | tube-dipstick | 498715 |

Intek 60 Vergaser
Intek 60 carburetor



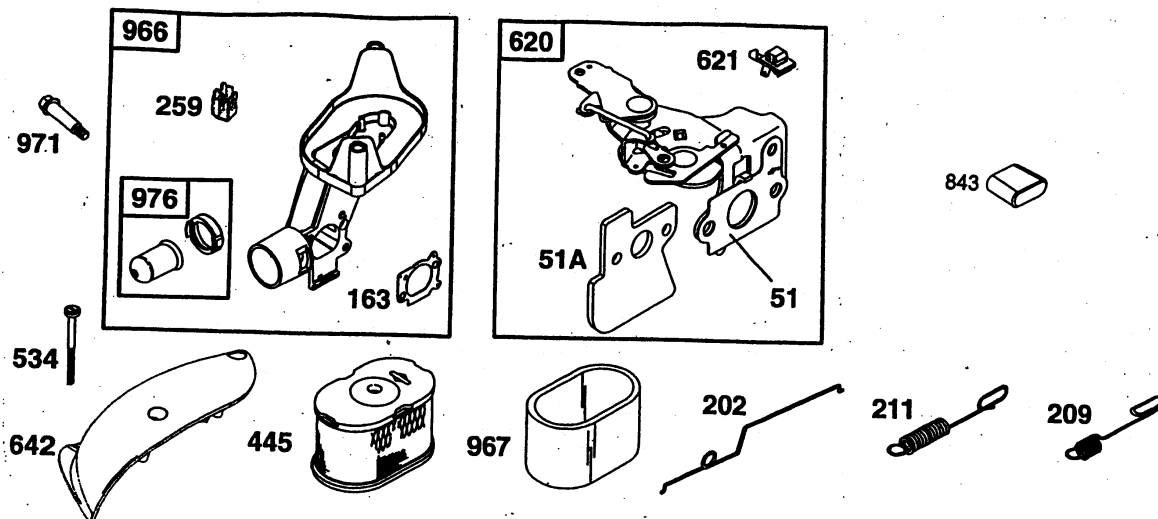
K 3

Intek 60 Vergaser
Intek 60 Carburetor

| Bild-Nr. / Ref. No. | Best.-Nr. / Part No. | Bezeichnung | Description | Part No. B & S |
|------------------------|-------------------------|----------------------|--------------------|-------------------|
| 51 | 2057 359 | Dichtung | gasket-intake | 273875 |
| 95 | 2057 128 | Schraube | screw | 94098 |
| 104 | 2057 120 | Stift | pin-float hinge | 231371 |
| 117 | 2057 180 | Hauptdüse kpl. | jet-main | 494870 |
| 124 | 2057 138 | Schraube | screw | 95048 |
| 125 | 2057 066 | Vergaser kpl. | carburetor | 499974 |
| 130 | 2057 123 | Drosselklappe | shaft-throttle | 224908 |
| 131 | 2057 406 | Drosselklappenschaft | shaft-throttle | 499682 |
| 133 | 2003 410 | Schwimmer | float-carburetor | 398187 |
| 134 | 2003 411 | Nadelventil kpl. | kit-needle/seat | 398188 |
| 137 | 2069 316 | Dichtung | gasket-float bowl | 693981 |
| 163 | 2057 358 | Dichtung | gasket-air cleaner | 273364 |
| 355 | 2058 601 | Dichtung | washer-sealing | 280973 |
| 975 | 2058 409 | Schwimmerkappe kpl. | bowl-float | 493640 |

NR:6155 000 Bezeichnung: Scooter SV 4 Gruppe: AufsitzmÄher Jahr: 03 Typ: D

Intek 60 Regelung, Luftfilter
Intek 60 control, air cleaner

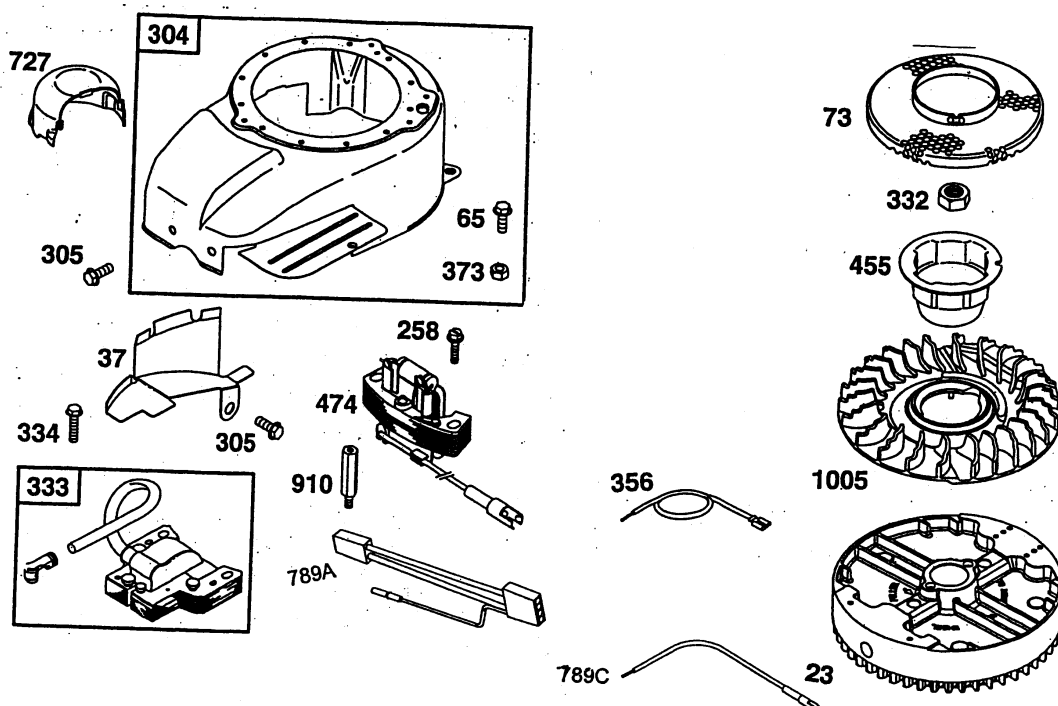


K 5

Intek 60 Regelung, Luftfilter
Intek 60 Control, Air cleaner

| Bild-Nr. / Ref. No. | Best.-Nr. / Part No. | Bezeichnung | Description | Part No. B & S |
|--------------------------------|---------------------------------|------------------------|--------------------|-------------------------------|
| 51 | 2057 359 | Dichtung | gasket-intake | 273875 |
| 51A | 2057 360 | Dichtung | gasket-intake | 273916 |
| 163 | 2057 358 | Dichtung | gasket-air cleaner | 273364 |
| 202 | 2057 162 | Gelenk | link-mechanical | 263148 |
| 209 | 2057 150 | Leerlauffeder | spring-governor | 263044 |
| 211 | 2057 153 | Vollgasfeder | spring-governor | 263228 |
| 259 | 2057 131 | Halter | clamp | 224348 |
| 445 | 2057 315 | Filterelement | filter-air cleaner | 498596 |
| 534 | 2057 141 | Schraube | screw | 95059 |
| 620 | 2057 410 | Vergasermechanik | bracket-control | 692618 |
| 621 | 2063 131 | Kurzschlußschalter | switch-stop | 396847 |
| 642 | 2057 310 | Luftfilterdeckel | cover-air cleaner | 281620 |
| 843 | 2057 301 | Überzug | sleeve-lever | 691884 |
| 966 | 2057 407 | Luftfiltergehäuse kpl. | base-air cleaner | 499684 |
| 967 | 2057 368 | Vorfilter | filter-pre cleaner | 273356 |
| 971 | 2057 142 | Schraube | screw | 95103 |
| 976 | 2057 181 | Primer kpl. | primer-carburetor | 496115 |

Intek 60 Polrad, Lfterhaube, Zndanlage
Intek 60 flywheel, blower housing, electrical

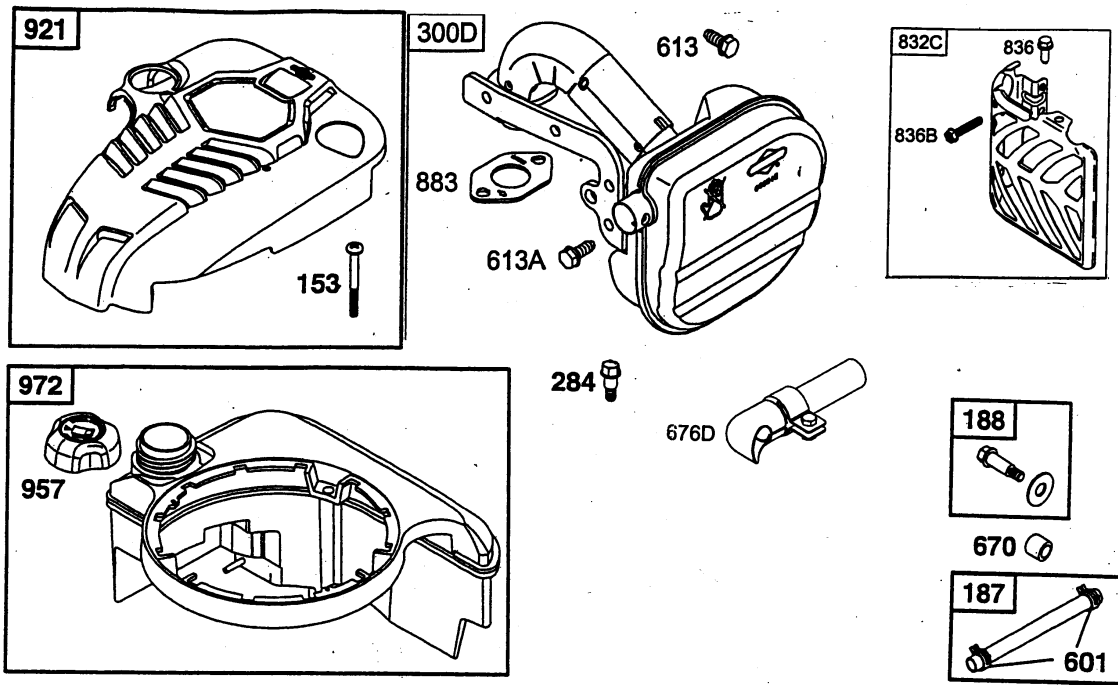


Intek 60 Polrad, Lufferhaube, Zundanlage
Intek 60 Flywheel, Blower housing, Electrical

| Bild-Nr. / Ref. No. | Best.-Nr. / Part No. | Bezeichnung | Description | Part No. B & S |
|--------------------------------|---------------------------------|--------------------|---------------------|-------------------------------|
| 23 | 2058 313 | Schwungrad | flywheel | 692693 |
| 37 | 2058 306 | Schutzbl. | guard-flywheel | 224511 |
| 65 | 2057 110 | Schraube | screw | 94904 |
| 73 | 2057 124 | Fingerschutz | screen-rotating | 225125 |
| 258 | 2063 117 | Schraube | screw | 94512 |
| 304 | 2057 308 | Luffergehause | housing-blower | 499676 |
| 305 | 2057 106 | Schraube | screw | 94744 |
| 332 | 2057 114 | Mutter | nut | 94877 |
| 333 | 2063 056 | Zundspule kpl. | armature-magneto | 802574 |
| 334 | 2059 306 | Schraube | screw | 94731 |
| 356 | 2057 183 | Kabel | wire-stop | 497833 |
| 373 | 2057 100 | Mutter | nut | 94908 |
| 455 | 2057 306 | Starterglocke | cup-flywheel | 225121 |
| 474 | 2069 118 | Ladespule | alternator | 492841 |
| 727 | 2057 300 | Abdeckung | cover-starter drive | 281675 |
| 789A | 2057 311 | Kabelsatz | harness-wiring | 696545 |
| 789C | 2057 317 | Kabelsatz | harness-wiring | 694498 |
| 910 | 2069 117 | Stehbolzen | stud | 94510 |
| 1005 | 2057 370 | Luffer | fan-flywheel | 281657 |

NR:6155 000 Bezeichnung: Scooter SV 4 Gruppe: AufsitzmÄrher Jahr: 03 Typ: D

Intek 60 Abdeckung, Tank, SchalldÄmpfer
Intek 60 covering cap, fuel tank, muffler



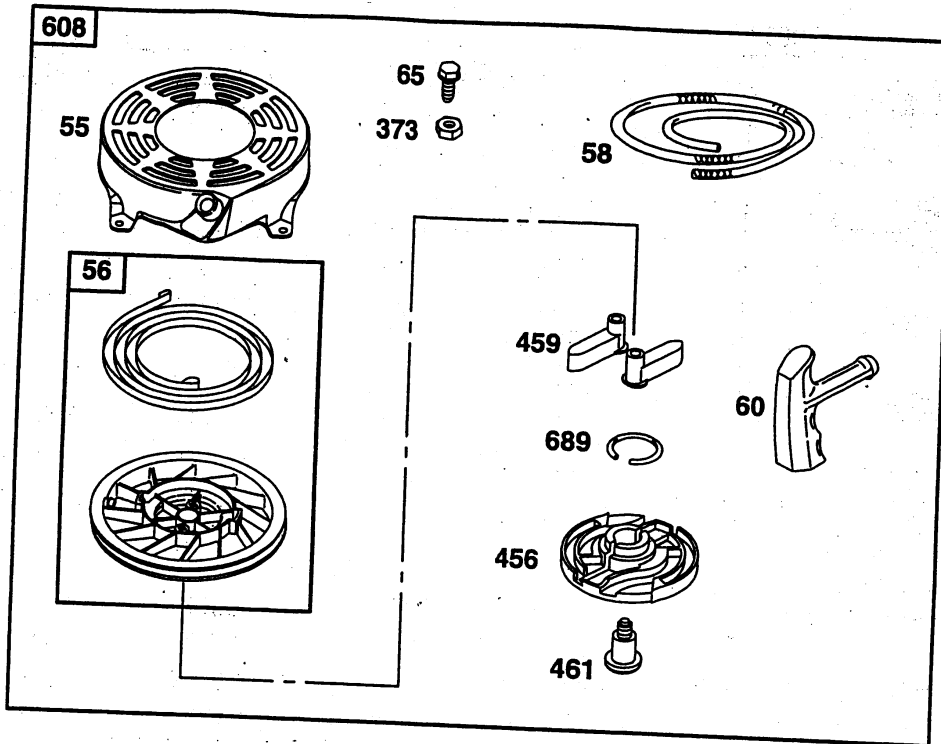
K 9

Intek 60 Abdeckung, Tank, SchalldÄmpfer
Intek 60 Covering cap, Fuel tank, Muffler

| Bild-Nr. / Ref. No. | Best.-Nr. / Part No. | Bezeichnung | Description | Part No. B & S |
|------------------------|-------------------------|---------------|----------------------|-------------------|
| 153 | 2057 140 | Schraube | screw | 95050 |
| 187 | 2057 371 | Benzinleitung | line-fuel | 296004 |
| 188 | 2057 143 | Schraube | screw | 398540 |
| 284 | 2063 316 | Schraube | screw | 94511 |
| 300D | 2063 321 | Auspuff | muffler | 693982 |
| 601 | 1036 517 | Klammer | clamp-hose | 93053 |
| 613 | 2058 104 | Schraube | screw | 691108 |
| 613A | 2058 109 | Schraube | screw | 691140 |
| 670 | 2057 166 | Distanzst¼ck | spacer-fuel tank | 280512 |
| 676D | 2057 319 | Deflektor | deflector-muffler | 697915 |
| 832C | 2057 320 | Hitzeschutz | guard muffler | 695593 |
| 836 | 2057 321 | Schraube | screw | 691147 |
| 836B | 2056 189 | Schraube | screw | 692198 |
| 883 | 2057 350 | Dichtung | gasket-exhaust | 273348 |
| 921 | 2057 312 | MotorgehÄuse | cover-blower housing | 498734 |
| 957 | 2057 318 | Tankdeckel | cap-fuel tank | 498697 |
| 972 | 2057 302 | Benzintank | tank-fuel | 499618 |

□

Intek 60 Starter
Intek 60 rewind - starter



K11

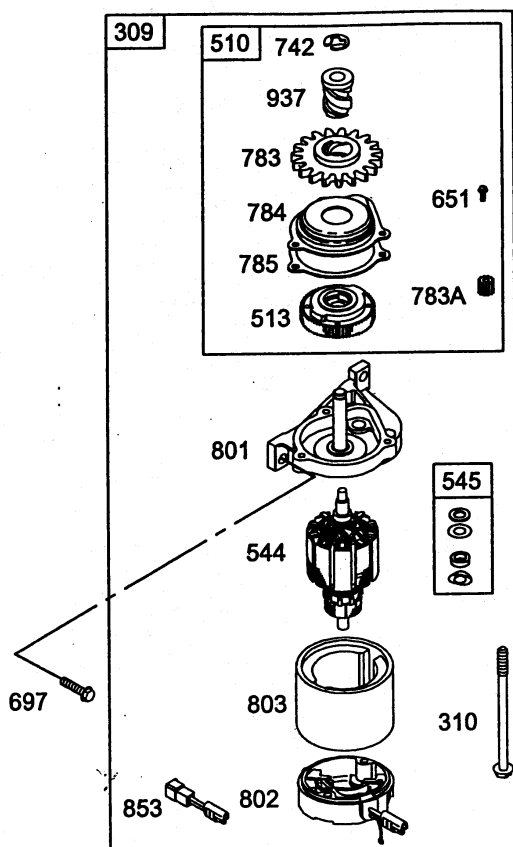
Intek 60 Starter

Intek 60 Rewind - starter

| Bild-Nr. / Ref. No. | Best.-Nr. / Part No. | Bezeichnung | Description | Part No. B & S |
|--------------------------------|---------------------------------|--------------------|---------------------|-------------------------------|
| 55 | 2069 121 | StartergehÄuse | housing-rewind | 497440 |
| 56 | 2057 184 | Seilscheibe kpl. | pulley | 498144 |
| 58 | 2063 604 | Starterseil | rope-starter | 280399 |
| 60 | 2069 300 | Startgriff | grip-starter rope | 281434 |
| 65 | 2057 110 | Schraube | screw | 94904 |
| 373 | 2057 100 | Mutter | nut | 94908 |
| 456 | 2069 301 | Federhalter | plate-pawl friction | 281503 |
| 459 | 2069 302 | Halter | ratchet-pawl | 281505 |
| 461 | 2069 124 | Schraube | screw | 94943 |
| 608 | 2069 012 | Starter kpl. | starter-rewind | 497680 |
| 689 | 2069 125 | Sicherung | spring-friction | 263073 |

NR:6155 000 Bezeichnung: Scooter SV 4 Gruppe: AufsitzmÄrher Jahr: 03 Typ: D

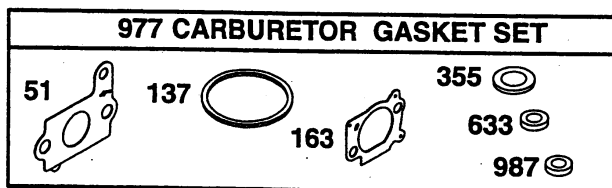
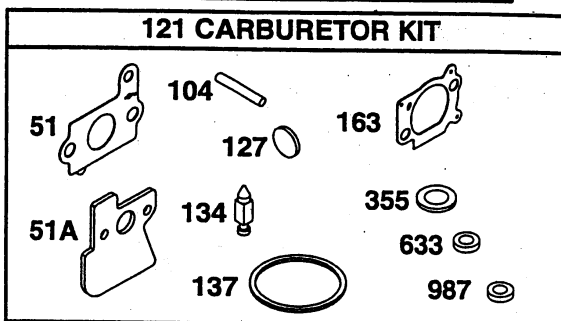
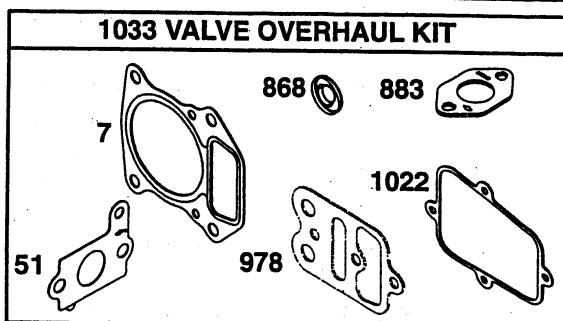
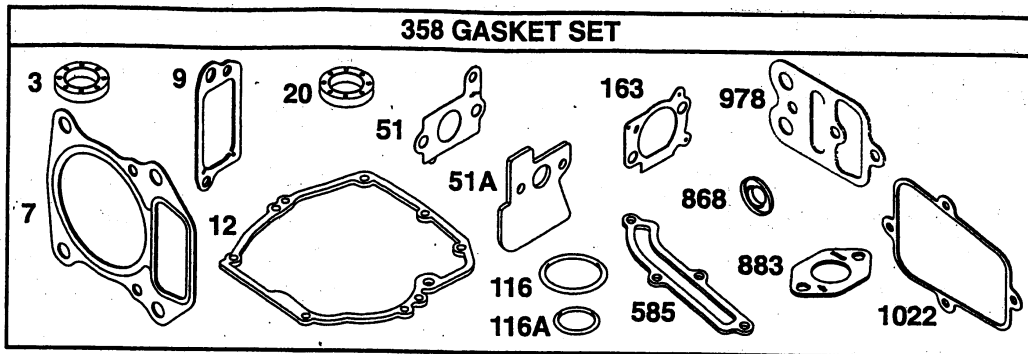
Intek 60 Elektrischer Anlasser
Intek 60 motor - starter



Intek 60 Elektrischer Anlasser
Intek 60 Motor - starter

| Bild-Nr. / Ref. No. | Best.-Nr. / Part No. | Bezeichnung | Description | Part No. B & S |
|--------------------------------|---------------------------------|----------------------|----------------------|-------------------------------|
| 309 | 2069 010 | E.-Anlasser kpl. | motor-starter | 494233 |
| 310 | 2069 103 | Schraube | screw | 94051 |
| 510 | 2069 011 | Startergetriebe kpl. | drive-starter | 494147 |
| 513 | 2069 105 | Zahnrad | clutch-drive | 394815 |
| 544 | 2057 177 | Wicklung | armature-starter | 492921 |
| 545 | 2069 107 | Scheibensatz | washer set | 492919 |
| 651 | 2069 322 | Schraube | screw | 93490 |
| 697 | 2069 328 | Schraube | screw | 691127 |
| 742 | 2069 116 | Sicherung | retainer-e ring | 93941 |
| 783 | 2069 108 | Zahnrad | gear-pinion | 281127 |
| 783A | 2069 109 | Zahnrad | gear-pinion | 261606 |
| 784 | 2069 110 | Getriebedeckel | cover-starter gear | 224262 |
| 785 | 2069 111 | Deckeldichtung | gasket-starter cover | 272201 |
| 801 | 2069 112 | Motordeckel oben | cap-drive | 492335 |
| 802 | 2069 329 | Motordeckel unten | cap-drive | 695267 |
| 803 | 2069 113 | StartergehÄuse | housing-starter | 492920 |
| 853 | 2057 058 | Adapter, 4-polig | adapter, four-pole | |
| 937 | 2069 115 | Schneckenrad | spline-starter | 281125 |

Intek 60 Dichtungssatz
Intek 60 kit - set



K15

Intek 60 Dichtungssatz
Intek 60 Kit - set

| Bild-Nr. / Ref. No. | Best.-Nr. / Part No. | Bezeichnung | Description | Part No. B & S |
|--------------------------------|---------------------------------|--------------------|----------------------|-------------------------------|
| 3 | 2057 352 | Simmerring | seal-oil | 299819 |
| 7 | 2057 367 | Kopfdichtung | gasket-cylinder head | 273240 |
| 9 | 2058 301 | Dichtung | gasket-breather | 272481 |
| 12 | 2063 107 | Dichtung | gasket-crankcase | 272198 |
| 20 | 2063 112 | Simmerring | seal-oil | 399781 |
| 51 | 2057 359 | Dichtung | gasket-intake | 273875 |
| 51A | 2057 360 | Dichtung | gasket-intake | 273916 |
| 104 | 2057 120 | Stift | pin-float hinge | 231371 |
| 116 | 2063 211 | O-Ring | o-ring | 280393 |
| 116A | 2063 216 | O-Ring | o-ring | 280966 |
| 121 | 2058 105 | Rep.-Satz | kit-carburetor | 692703 |
| 134 | 2003 411 | Nadelventil | kit-needle/seat | 398188 |
| 137 | 2069 316 | Dichtung | gasket-float bowl | 693981 |
| 163 | 2057 358 | Dichtung | gasket-air cleaner | 273364 |
| 358 | 2058 106 | Dichtungs-Satz | gasket set-engine | 694090 |
| 585 | 2063 209 | Dichtung | gasket-breather | 272238 |
| 868 | 2057 366 | Ventildichtung | seal-valve | 498592 |
| 883 | 2057 350 | Auslaßdichtung | gasket-exhaust | 273348 |
| 977 | 2058 108 | Vergaser-Satz | carburetor-set | 692704 |
| 1033 | 2059 104 | Dichtungs-Satz | valve overhaul kit | 692311 |